

STUDIO

BY DEKKO

2505 Dekko Drive
Garrett, IN 46738
Customer Service: 800.357.5622

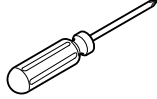
USB MODULAR CHARGER 8 Wire & 8-10

This device complies with
part 15A of the FCC Rules.

Power Distribution Systems
Spring & Screw Mount

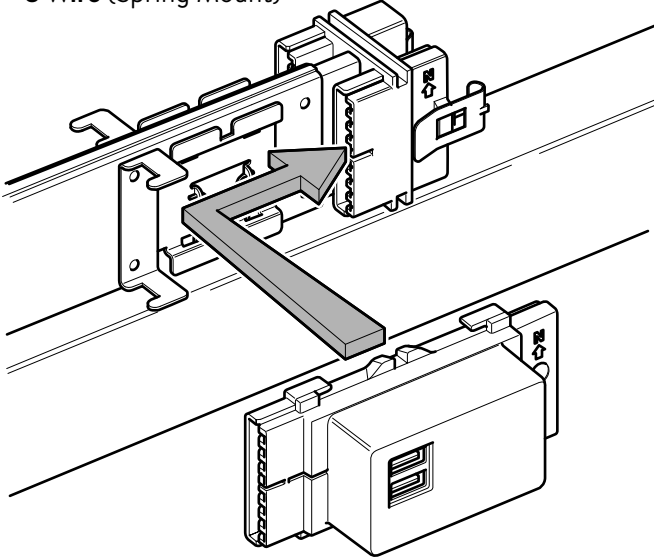
Installation Instruction

Tools Required



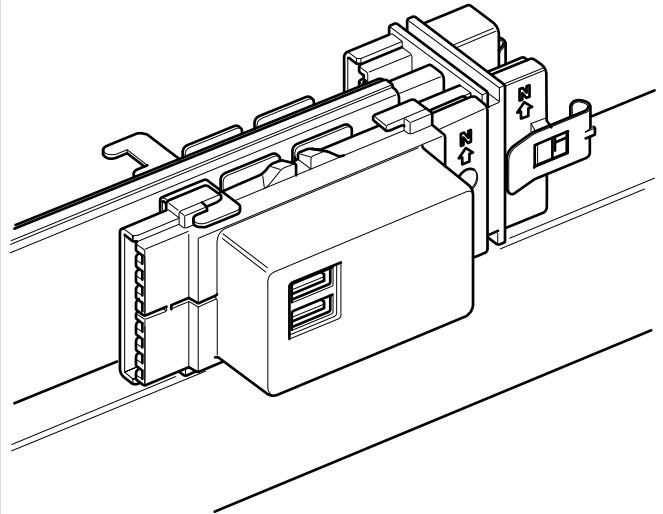
1a Install USB Charger Into Distribution Assembly

8 Wire (Spring Mount)



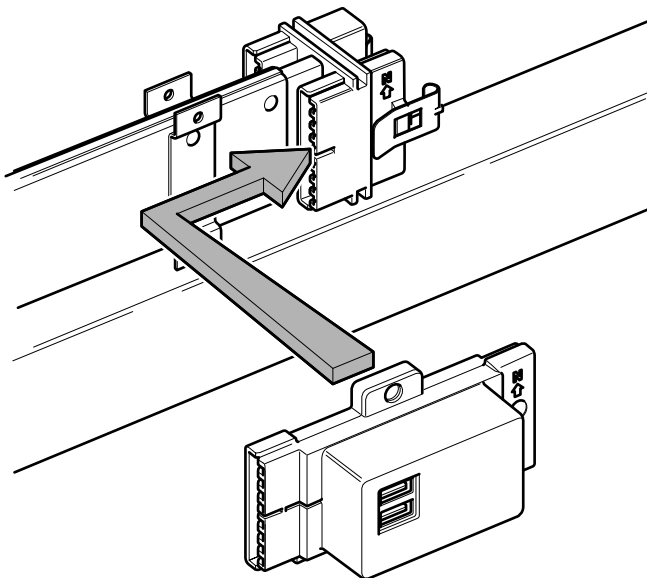
1b Secure USB Charger into Spring Clip

8 Wire (Spring Mount)



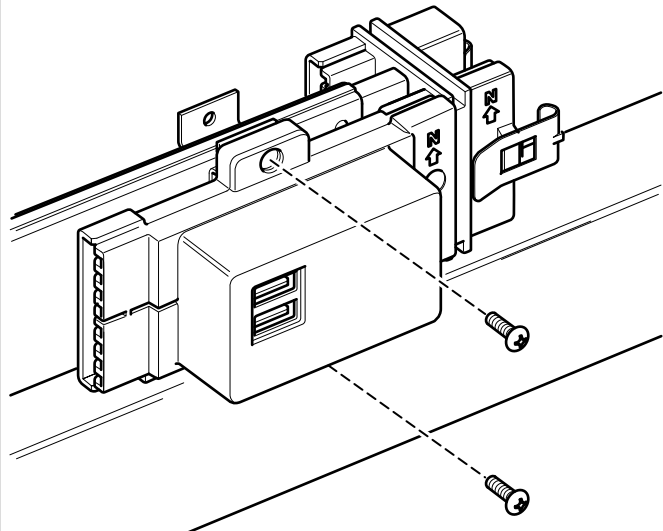
2a Install USB Charger Into Distribution Assembly

8 Wire (Screw Mount)



2b Secure USB Modular Charger with (2) Screws

8 Wire (Screw Mount)



E.C.N. No: GD17-002964

Part Number: G110091

Page Number: 1 of 2

Revision: C



2505 Dekko Drive
Garrett, IN 46738
Customer Service: 800.357.5622

USB MODULAR CHARGER

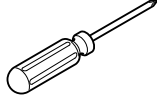
8 Wire & 8-10

This device complies with
part 15A of the FCC Rules.

Power Distribution Systems
Spring & Screw Mount

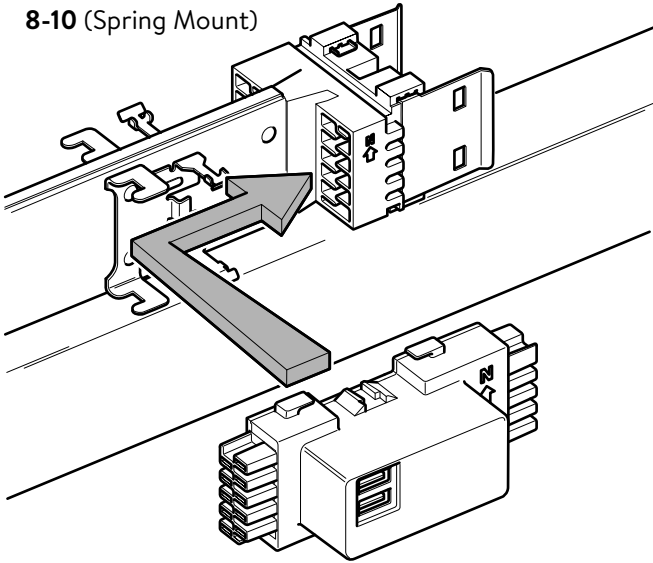
Installation Instruction

Tools Required _____



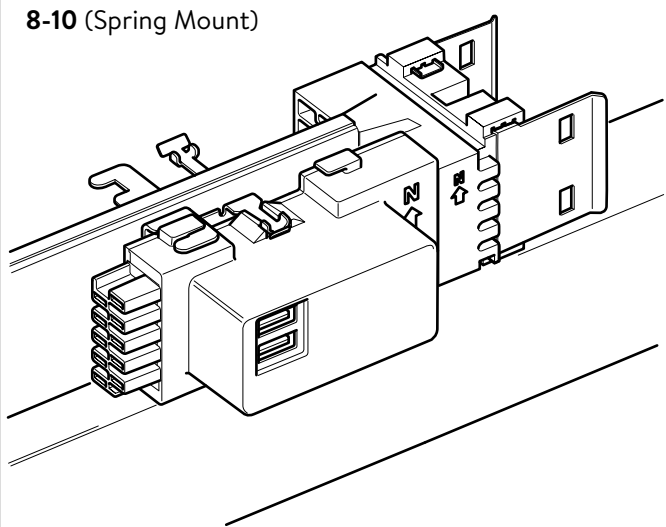
3a Install USB Charger Into Distribution Assembly

8-10 (Spring Mount)



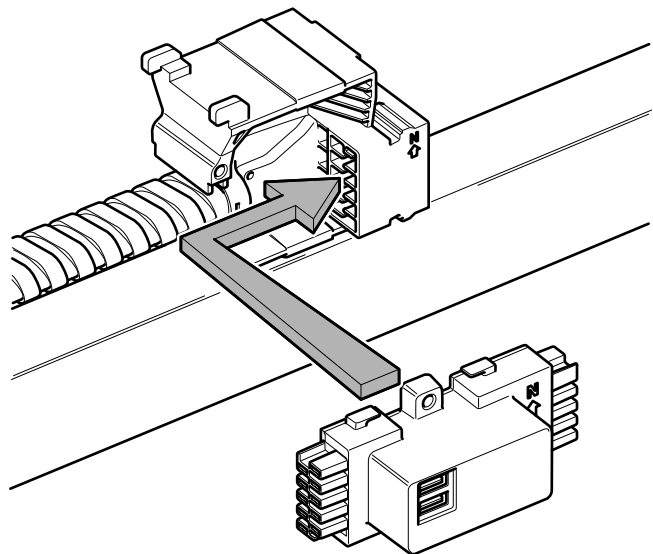
3b Secure USB Charger Tabs onto Spring Clip

8-10 (Spring Mount)



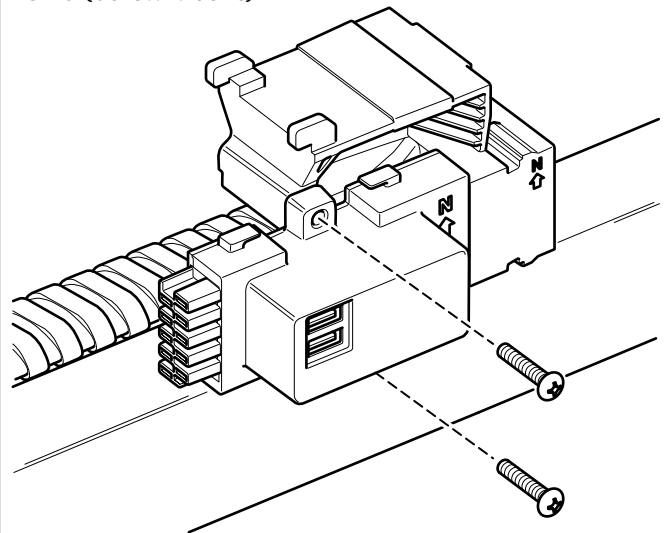
4a Install USB Charger Into Distribution Assembly

8-10 (Screw Mount)



4b Secure USB Modular Charger with (2) Screws

8-10 (Screw Mount)



E.C.N. No: GD17-002964

Part Number: G110091

Page Number: 2 of 2

Revision: C