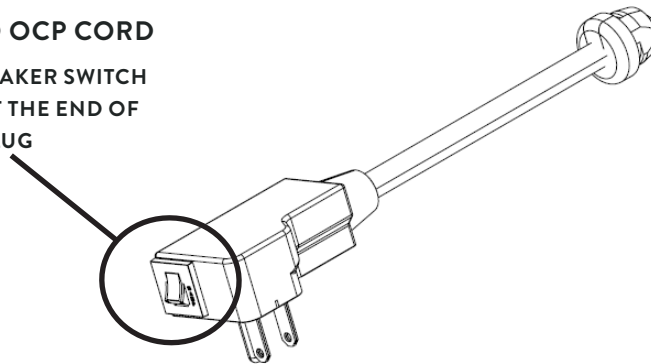


WHAT IS OVER CURRENT PROTECTION?

Over Current Protection products, also known as OCP products, come standard with a circuit breaker either built into the cord, or housed in the power unit itself to ensure that the electrical product does not exceed safe current limits that can cause excessive or dangerous rises in temperature within the conductors of the electrical system. These types of products are essential for spaces that require the adherence of strict code requirements. Dekko's products that are categorized as having OCP come standard with an OCP cord, and are available in a wide array of power configurations, color finishes, and mounting options. It is important to note, that due to code and UL requirements, corded products with four or more receptacles come standard with an internal OCP circuit breaker, rather than a standard OCP cord.

STANDARD OCP CORD

CIRCUIT BREAKER SWITCH
LOCATED AT THE END OF
PLUG



Discover Dekko's OCP Products Below:



- Stafford™
- Ashley Uno™
- Ashley Duo™
- Ashley Duo Air™
- Ashley Duo Wedge™
- Ashley Trio™
- Ashley Quad™
- Ashley 210™
- Ashley InLine™
- Ashley Link 30™
- Ashley Link 60™
- Perimeter



- Concept™
- Seclusion G2®
- Seclusion G2 60 Watt®
- Reef™
- Reef Mini™
- Oasis™
- Oasis Mini™
- Interface II™
- Marina HDMI™
- Interface G2™
- Intercept™
- Interact Jr.
- Interact IV G2™
- Cove™
- Cove 60 Watt™
- Departure
- Isle G2™
- Power Island®

- Power Strip
- Marina Power Dock™
- Sand Dollar

furnlite

- FC - 714
- FC - 715
- FC - 718
- FC - 740
- FC - 744
- FC - 747
- FC - 748

DEKKO