



# ASHLEY 210 UNDER

- Conduit -  
Under Worksurface Mounting  
Installation Instruction

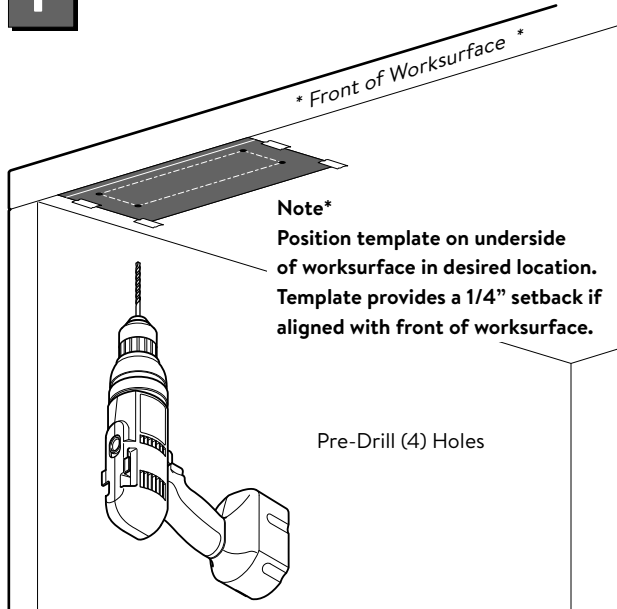
This device complies with part 15A of the FCC Rules. Operation is subject to the following two conditions: (1) This device may not cause harmful interference, and (2) this device must accept any interference received, including interference that may cause undesired operation.

## Tools Required



Screwdriver needed for optional power cord mounting clamps.

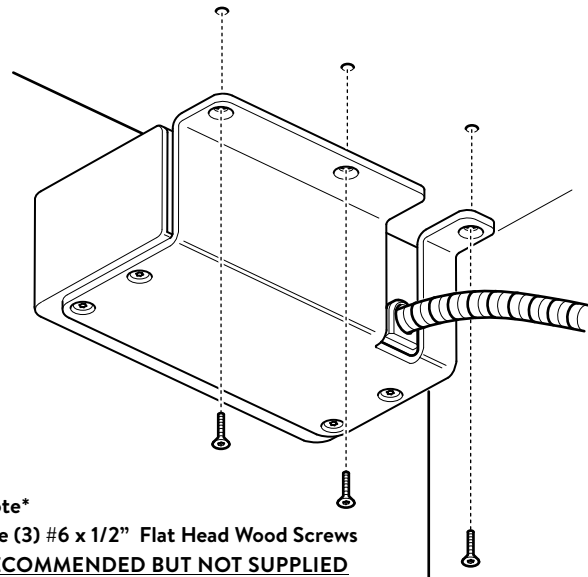
### 1 Place Template and Pre-Drill Holes



Note\*  
Position template on underside of worksurface in desired location. Template provides a 1/4" setback if aligned with front of worksurface.

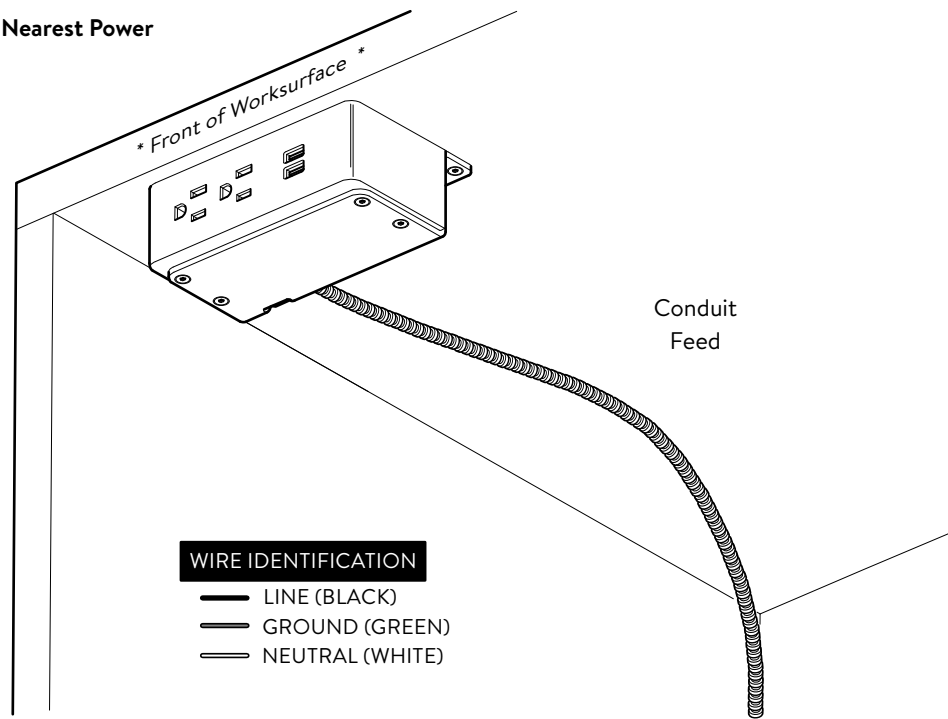
Pre-Drill (4) Holes

### 2 Install Ashley 210 Under to Worksurface



Note\*  
Use (3) #6 x 1/2" Flat Head Wood Screws  
**RECOMMENDED BUT NOT SUPPLIED**

### 3 Route Conduit Option to Nearest Power Distribution Source



#### WIRE IDENTIFICATION

- LINE (BLACK)
- GROUND (GREEN)
- NEUTRAL (WHITE)



BY DEKKO

2505 Dekko Drive  
Garrett, IN 46738  
Customer Service: 800.357.5622

# ASHLEY 210 UNDER

- Conduit -

Under Worksurface Mounting  
[Installation Instruction Template](#)

This device complies with part 15A of the FCC Rules. Operation is subject to the following two conditions: (1) This device may not cause harmful interference, and (2) this device must accept any interference received, including interference that may cause undesired operation.

