

STU
DIO

BY DEKKO

2505 Dekko Drive
Garrett, IN 46738
Customer Service: 800.357.5622

ASHLEY DUO UNDER

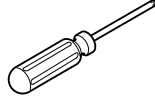
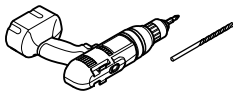
- Corded -

Under Worksurface Mounting

Installation Instruction

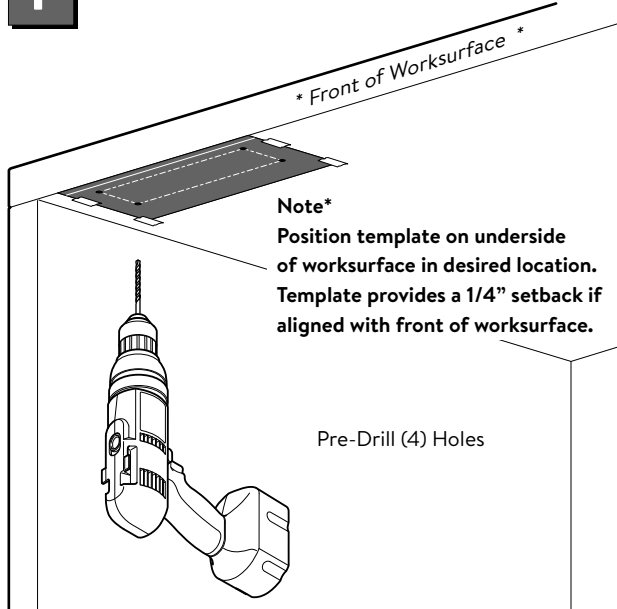
This device complies with part 15A of the FCC Rules. Operation is subject to the following two conditions: (1) This device may not cause harmful interference, and (2) this device must accept any interference received, including interference that may cause undesired operation.

Tools Required

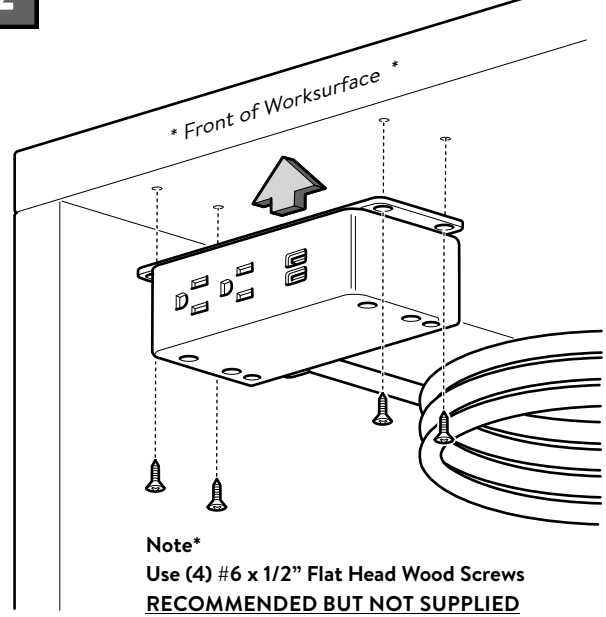


Screwdriver needed for optional power cord mounting clamps.

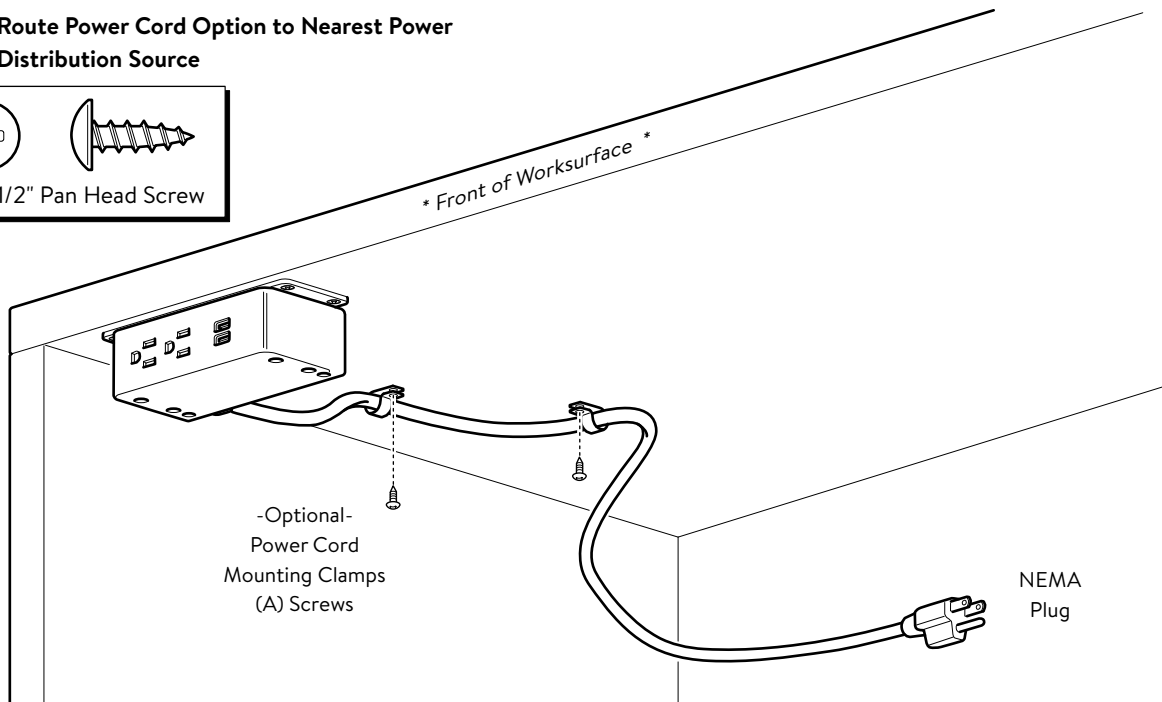
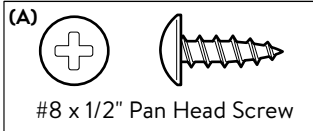
1 Place Template and Pre-Drill Holes



2 Install Ashley Duo Under to Worksurface



3 Route Power Cord Option to Nearest Power Distribution Source



E.C.N. No: GD17-002964

Part Number: G110052

Page Number: 1 of 2

Revision: E



BY DEKKO

2505 Dekko Drive
Garrett, IN 46738
Customer Service: 800.357.5622

ASHLEY DUO UNDER

- Corded -

Under Worksurface Mounting
Installation Instruction Template

This device complies with part 15A of the FCC Rules. Operation is subject to the following two conditions: (1) This device may not cause harmful interference, and (2) this device must accept any interference received, including interference that may cause undesired operation.

SUGGESTED SET BACK

SUGGESTED SET BACK

1/4" SET BACK FROM FRONT EDGE

FRONT EDGE OF WORKSURFACE

FRONT OF ASHLEY DUO UNDER

ASHLEY DUO UNDER DRILLING TEMPLATE

PRE-DRILL (4) HOLES

1.63"

6.00"