



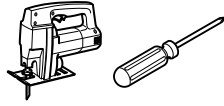
2505 Dekko Drive
Garrett, IN 46738
Customer Service: 800.357.5622

ASHLEY UNO BEZEL

- Corded -
Horizontal & Vertical Surface Mounting
Installation Instruction

This device complies with part 15A of the FCC Rules. Operation is subject to the following two conditions: (1) This device may not cause harmful interference, and (2) this device must accept any interference received, including interference that may cause undesired operation.

Tools Required

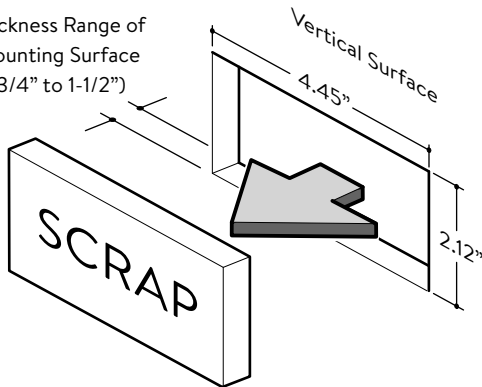


1 Cutout Opening for Ashley Uno Bezel Assembly

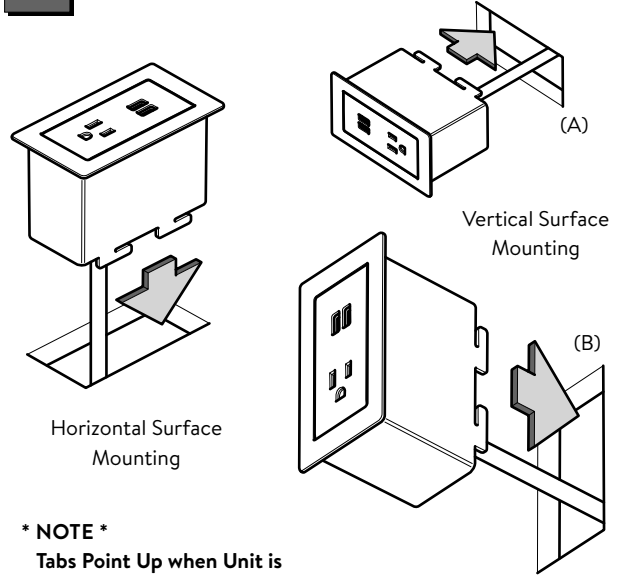
*** NOTE ***

Max Radius on Cutout Corners is 1/4"

Thickness Range of Mounting Surface (3/4" to 1-1/2")



2 Install Ashley Uno Bezel Assembly into Cutout

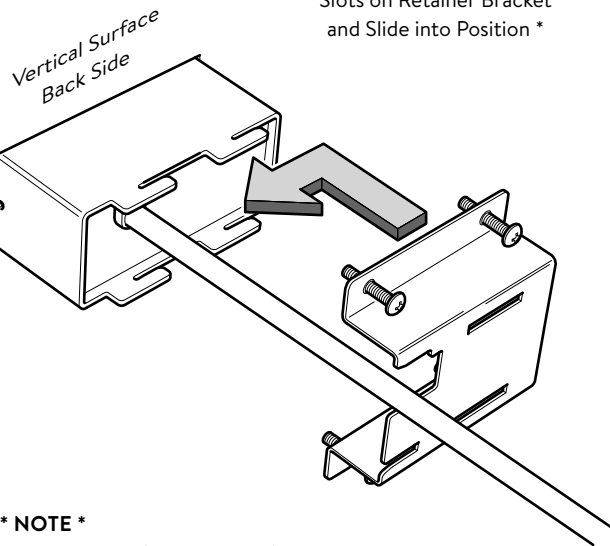


*** NOTE ***

Tabs Point Up when Unit is Installed Vertically - See Vertical Orientation (B)

3 Install Retainer Bracket

* Align Tabs on Bezel with Slots on Retainer Bracket and Slide into Position *

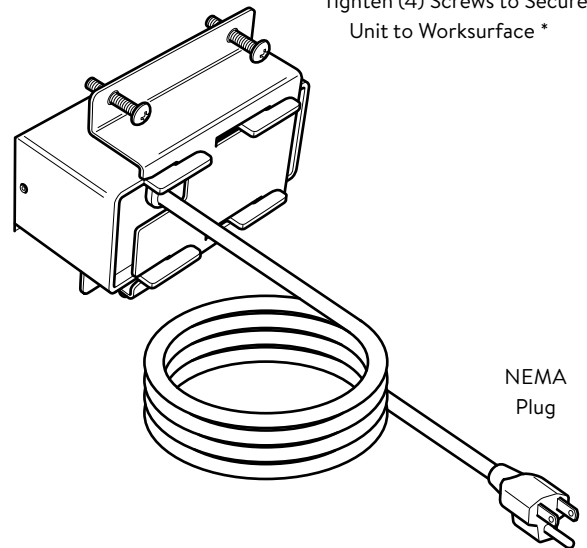


*** NOTE ***

Route Power Cord Through Notch in Retainer Bracket

4 Route Power Cord to Nearest Power Distribution Source

* Tighten (4) Screws to Secure Unit to Worksurface *





2505 Dekko Drive
Garrett, IN 46738
Customer Service: 800.357.5622

ASHLEY UNO BEZEL

- Corded -
Horizontal & Vertical Surface Mounting
Installation Instruction Template

This device complies with part 15A of the FCC Rules. Operation is subject to the following two conditions: (1) This device may not cause harmful interference, and (2) this device must accept any interference received, including interference that may cause undesired operation.

