



2505 Dekko Drive
Garrett, IN 46738
Customer Service: 800.357.5622

ASHLEY UNO UNDER

- Conduit -

Under Worksurface Mounting

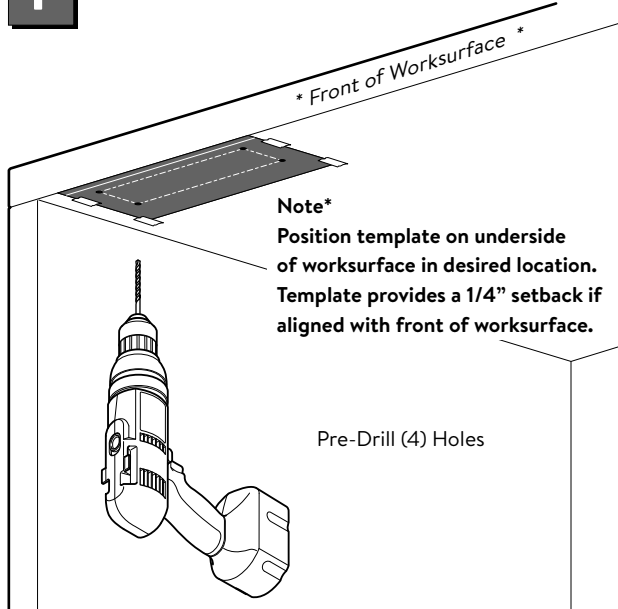
Installation Instruction

This device complies with part 15A of the FCC Rules. Operation is subject to the following two conditions: (1) This device may not cause harmful interference, and (2) this device must accept any interference received, including interference that may cause undesired operation.

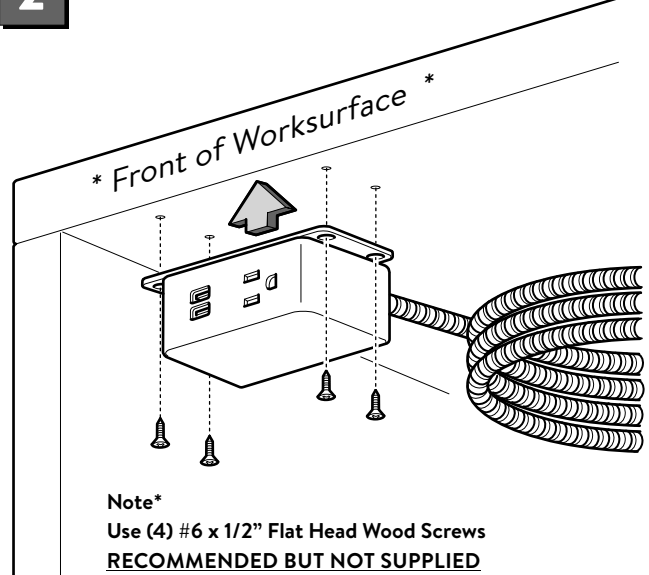
Tools Required _____



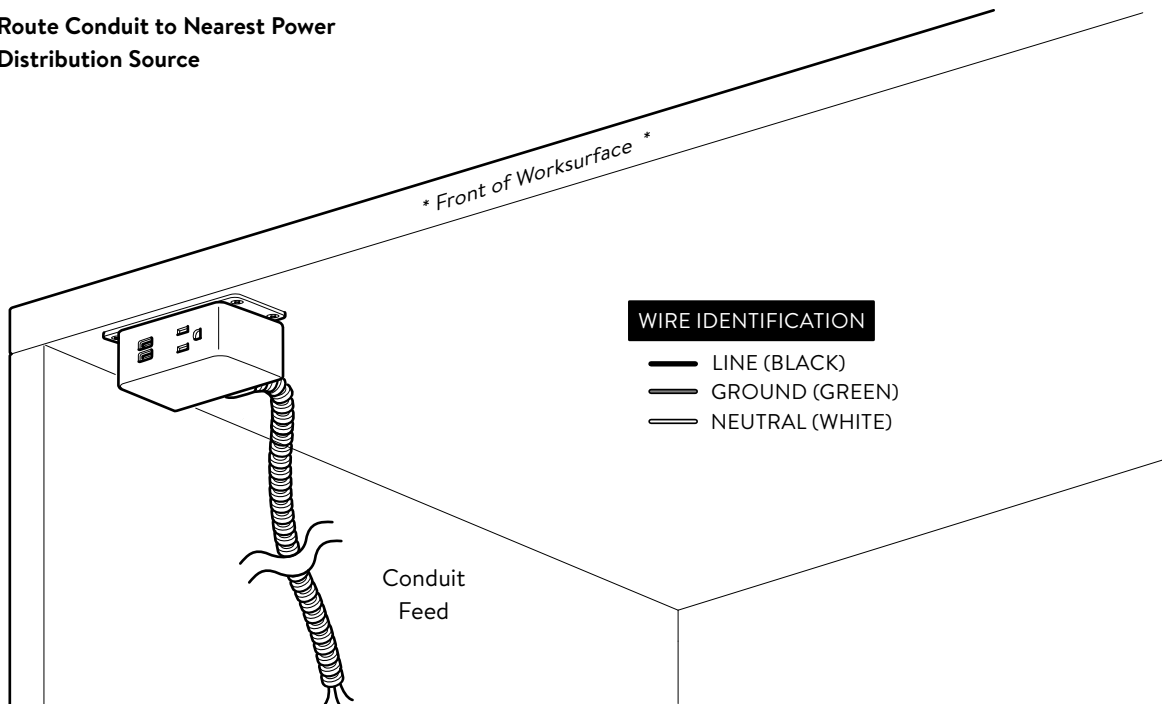
1 Place Template and Pre-Drill Holes



2 Install Ashley Uno Under to Worksurface



3 Route Conduit to Nearest Power Distribution Source





2505 Dekko Drive
 Garrett, IN 46738
 Customer Service: 800.357.5622

ASHLEY UNO UNDER

- Conduit -
 Under Worksurface Mounting
Installation Instruction Template

This device complies with part 15A of the FCC Rules. Operation is subject to the following two conditions: (1) This device may not cause harmful interference, and (2) this device must accept any interference received, including interference that may cause undesired operation.

