

STUDIO

BY DEKKO

2505 Dekko Drive
Garrett, IN 46738
Customer Service: 800.357.5622

ASHLEY UNO UNDER

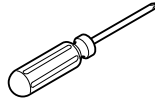
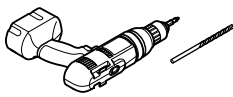
- Corded -

Under Worksurface Mounting

Installation Instruction

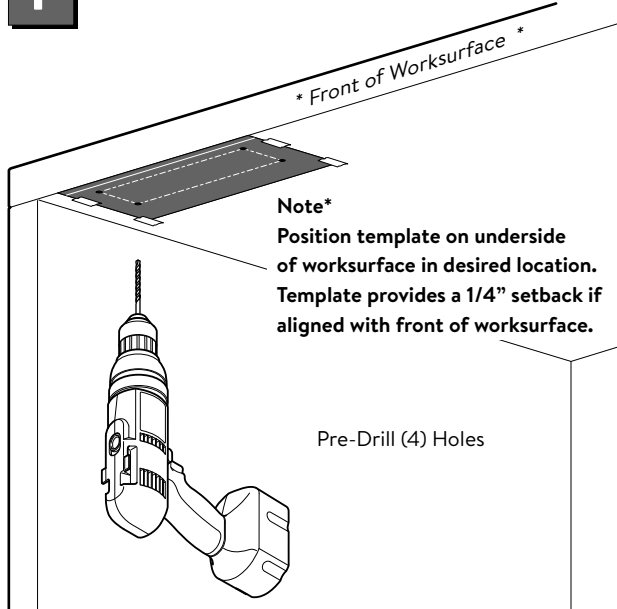
This device complies with part 15A of the FCC Rules. Operation is subject to the following two conditions: (1) This device may not cause harmful interference, and (2) this device must accept any interference received, including interference that may cause undesired operation.

Tools Required



Screwdriver needed for optional power cord mounting clamps.

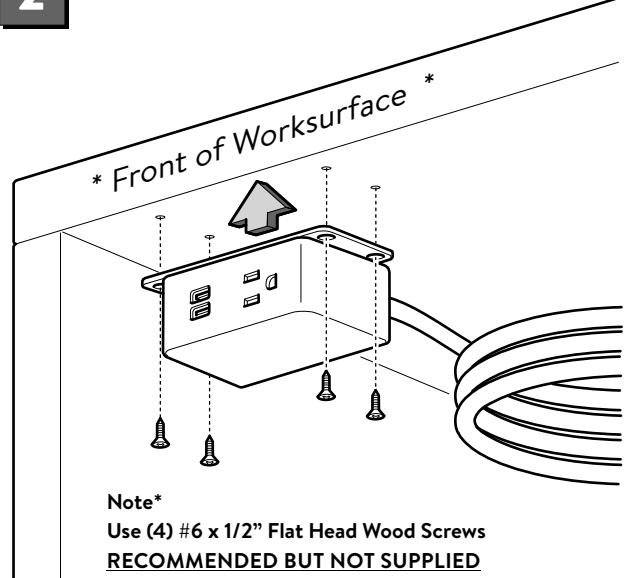
1 Place Template and Pre-Drill Holes



Note*
Position template on underside of worksurface in desired location. Template provides a 1/4" setback if aligned with front of worksurface.

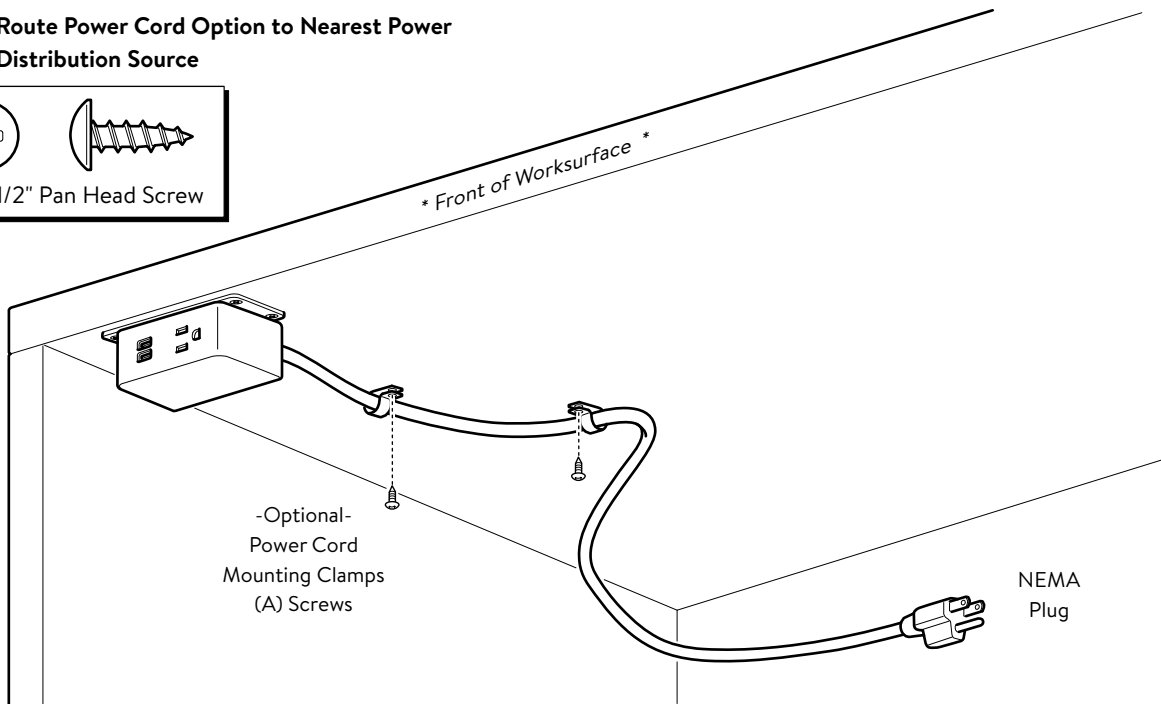
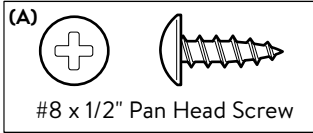
Pre-Drill (4) Holes

2 Install Ashley Uno Under to Worksurface



Note*
Use (4) #6 x 1/2" Flat Head Wood Screws
RECOMMENDED BUT NOT SUPPLIED

3 Route Power Cord Option to Nearest Power Distribution Source



-Optional-
Power Cord
Mounting Clamps
(A) Screws

NEMA
Plug



2505 Dekko Drive
 Garrett, IN 46738
 Customer Service: 800.357.5622

ASHLEY UNO UNDER

- Corded -

Under Worksurface Mounting Installation Instruction Template

This device complies with part 15A of the FCC Rules. Operation is subject to the following two conditions: (1) This device may not cause harmful interference, and (2) this device must accept any interference received, including interference that may cause undesired operation.

