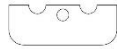


# COVE DATA INSTALLATION

## Components & Hardware



(A) Cove Data Plate



(B) 1.25" Bracket, Qty (2)



(C) Thumbnut, Qty. 2

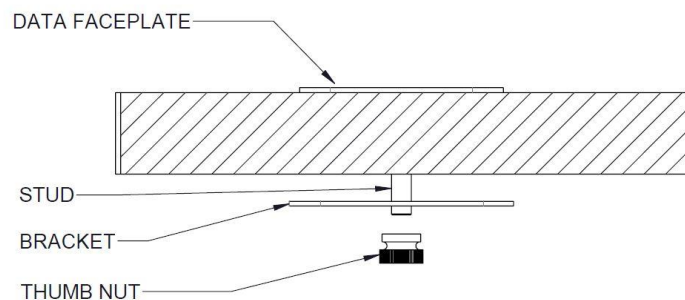
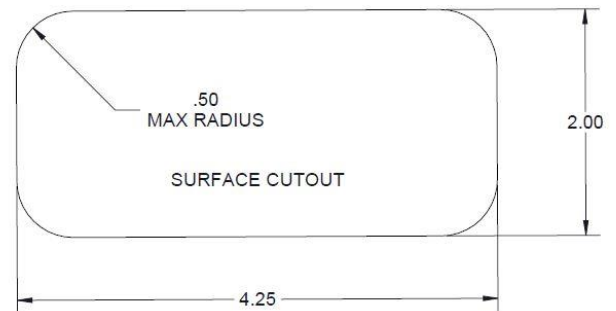
## Tools Needed



**Note:** For use on dry work surfaces or furniture only. No serviceable parts, do not disassemble.

### Installation Instructions:

- 1-** Use recommended cutout and prepare the surface.
- 2-** Insert the Cove data plate through the cutout.  
Center the plate on table cutout.
- 3-** Place brackets (B) and thumbnuts (C) on stud.  
Tighten nuts until secure, do not over tighten.



*Plug into an appropriate outlet that is properly installed and grounded in accordance with all local codes and regulations.*