

# DEKKO

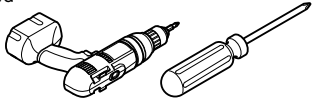
7310 Innovation Blvd. Suite 104  
Fort Wayne, IN 46818  
Customer Service: 800.357.5622

## LAYER TOWER

- Corded -  
Freestanding  
Installation Instruction

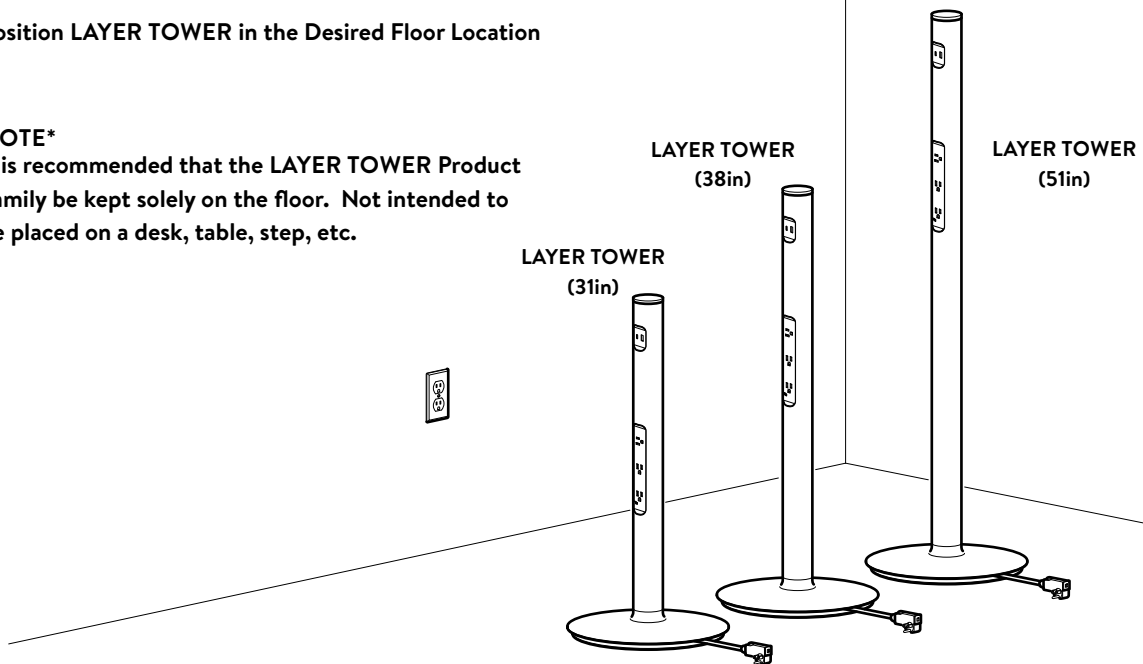
This device complies with part 15A of the FCC Rules. Operation is subject to the following two conditions: (1) This device may not cause harmful interference, and (2) this device must accept any interference received, including interference that may cause undesired operation.

### Tools Required



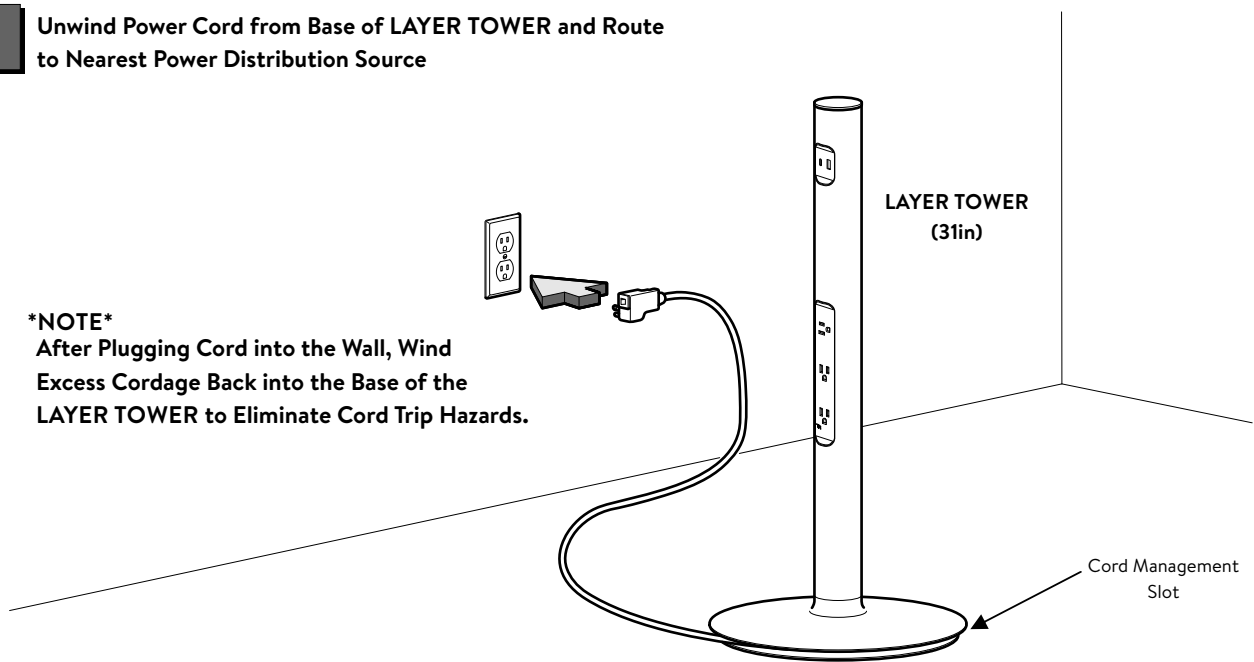
## 1 Position LAYER TOWER in the Desired Floor Location

**\*NOTE\***  
It is recommended that the LAYER TOWER Product Family be kept solely on the floor. Not intended to be placed on a desk, table, step, etc.



## 2 Unwind Power Cord from Base of LAYER TOWER and Route to Nearest Power Distribution Source

**\*NOTE\***  
After Plugging Cord into the Wall, Wind Excess Cordage Back into the Base of the LAYER TOWER to Eliminate Cord Trip Hazards.



# DEKKO

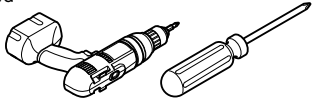
7310 Innovation Blvd. Suite 104  
Fort Wayne, IN 46818  
Customer Service: 800.357.5622

## LAYER TOWER

- Corded -  
Freestanding  
Installation Instruction

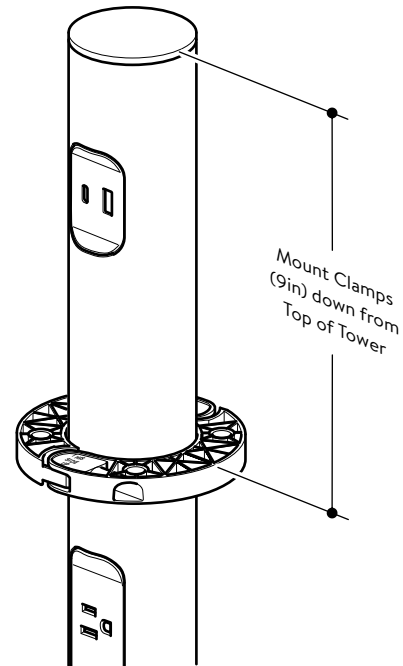
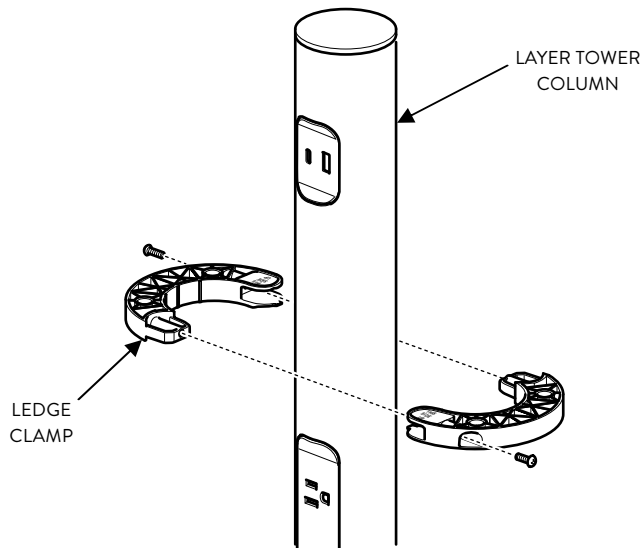
This device complies with part 15A of the FCC Rules. Operation is subject to the following two conditions: (1) This device may not cause harmful interference, and (2) this device must accept any interference received, including interference that may cause undesired operation.

### Tools Required

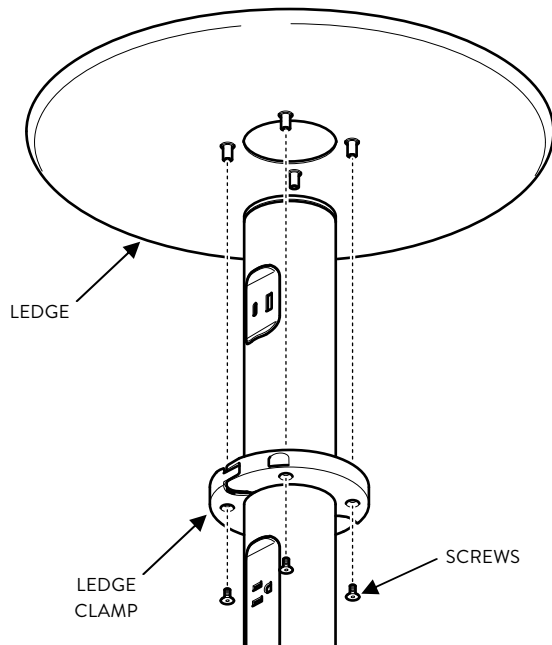


### 3 Install Two Optional Ledge Clamps to LAYER TOWER COLUMN with Two Screws

**\*OPTIONAL LEDGE ACCESSORY\***

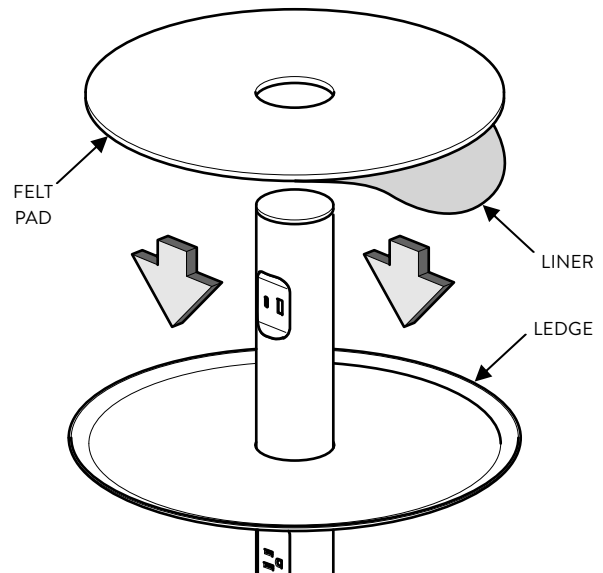


### 4 Install Optional Ledge to Ledge Clamps with Four Screws



### 5 Peel Liner from Optional Felt Insert and Install Over TOWER COLUMN

**\*NOTE\***  
Press Firmly on Felt Insert to Set Adhesive to Ledge.



E.C.N. No: GD21-1605

Part Number: G110450

Page Number: 2 of 2

Revision: A