

# DEKKO

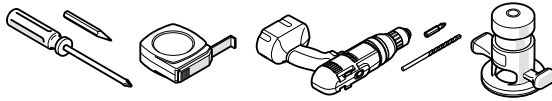
7310 Innovation Blvd. Suite 104  
Fort Wayne, IN 46818  
Customer Service: 800.357.5622

## OASIS™ & OASIS™ MINI UM (UNDERMOUNT)

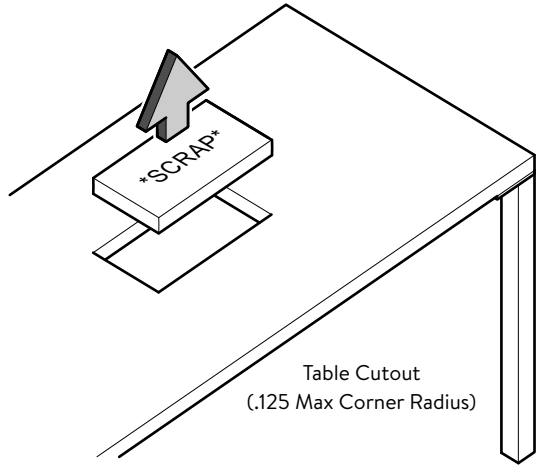
Corded  
Installation Instruction

This device complies with part 15A of the FCC Rules. Operation is subject to the following two conditions: (1) This device may not cause harmful interference, and (2) this device must accept any interference received, including interference that may cause undesired operation.

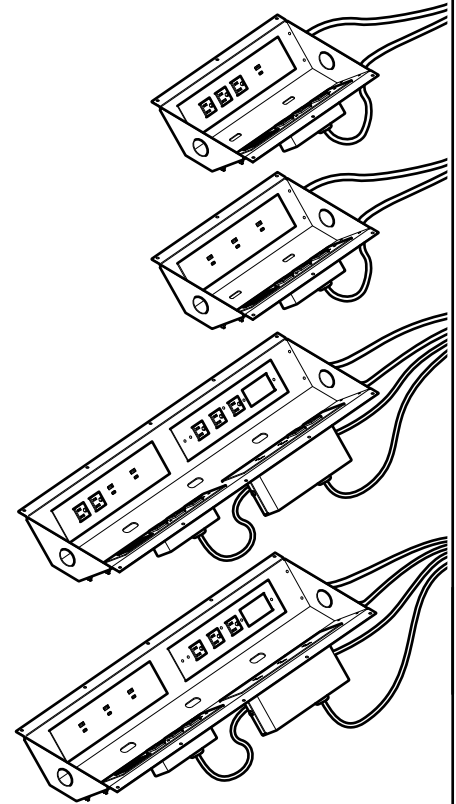
Tools Required



### 1 Cutout Hole in the Desired Location of the Table Top



Cutout Sizes	Width	Length
Oasis™ Mini UM	8.25	14.12
Oasis™ UM	8.25	29.12

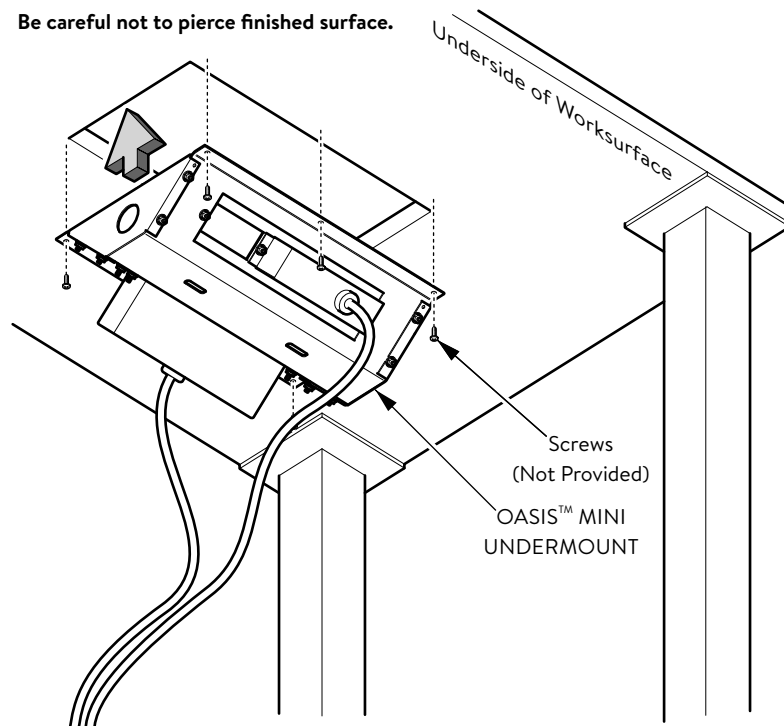


NOT ALL OASIS™ & OASIS™ MINI UM  
VERSIONS SHOWN

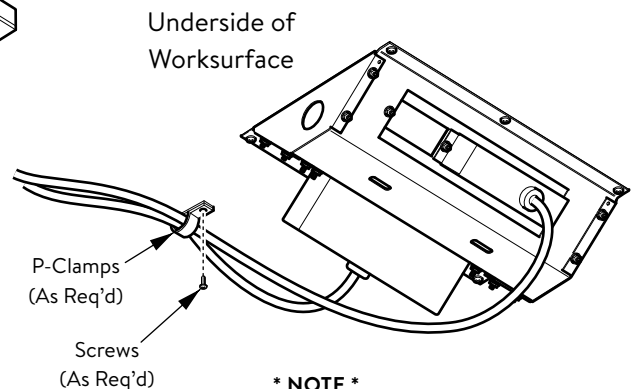
### 2 Center Oasis™ or Oasis™ Mini UM to Cutout Location Mount with Screws (Not Provided)

**\* NOTE \***

Be careful not to pierce finished surface.



### 3 Connect Power Cord and Use P-Clamps to Manage Power Cord to Underside of Worksurface



**\* NOTE \***

Plug power cord into an appropriate outlet that is properly installed and grounded in accordance with all local codes and regulations.