

# DEKKO

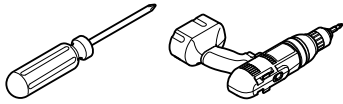
7310 Innovation Blvd, Suite 104  
Fort Wayne, IN 46818  
Customer Service: 800.829.3101

## PURL SYSTEM

Installation Instruction

A 962A Supplement D  
UL Listed Electrical System.

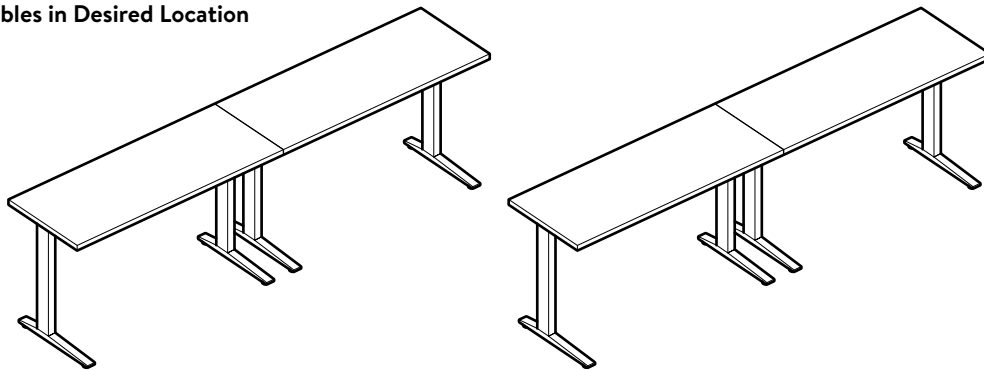
Tools Required \_\_\_\_\_



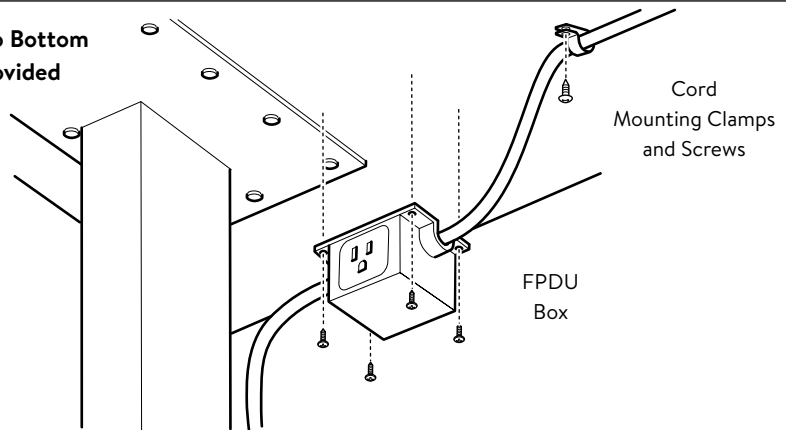
### SYSTEM OVERVIEW:

- Furniture Power Distribution Units are not for permanent installation as part of the building structure and not for mounting in a permanently installed furnishing such as a fixed countertop.
- Maximum Overall System Length = 31ft. Length measured from the face of the NEMA plug to the outside surface of the last unit as pictured in the diagram in Step 4 below.
- The system includes one primary FPDU, that must be mounted. Do not place any component directly on the floor.
- Ensure power supply and system components are properly mounted and protected from pedestrian traffic and do not present a tripping hazard.
- The system is keyed specifically to connect with Dekko proprietary products.

### 1 Arrange Tables in Desired Location



### 2 Install Housing End of Primary FPDU to Bottom side of Worksurface with (4) Screws Provided



### 3 Install Power Modules Where Desired

"The Purl System supports many Dekko Studio & ECA furniture power distribution products.  
Please refer to individual Power Module Installation Instructions. (Also available at [dekko.com](http://dekko.com))."

# DEKKO

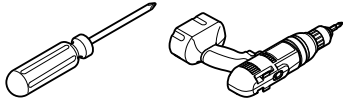
7310 Innovation Blvd, Suite 104  
Fort Wayne, IN 46818  
Customer Service: 800.829.3101

## PURL SYSTEM

### Installation Instruction

A 962A Supplement D  
UL Listed Electrical System.

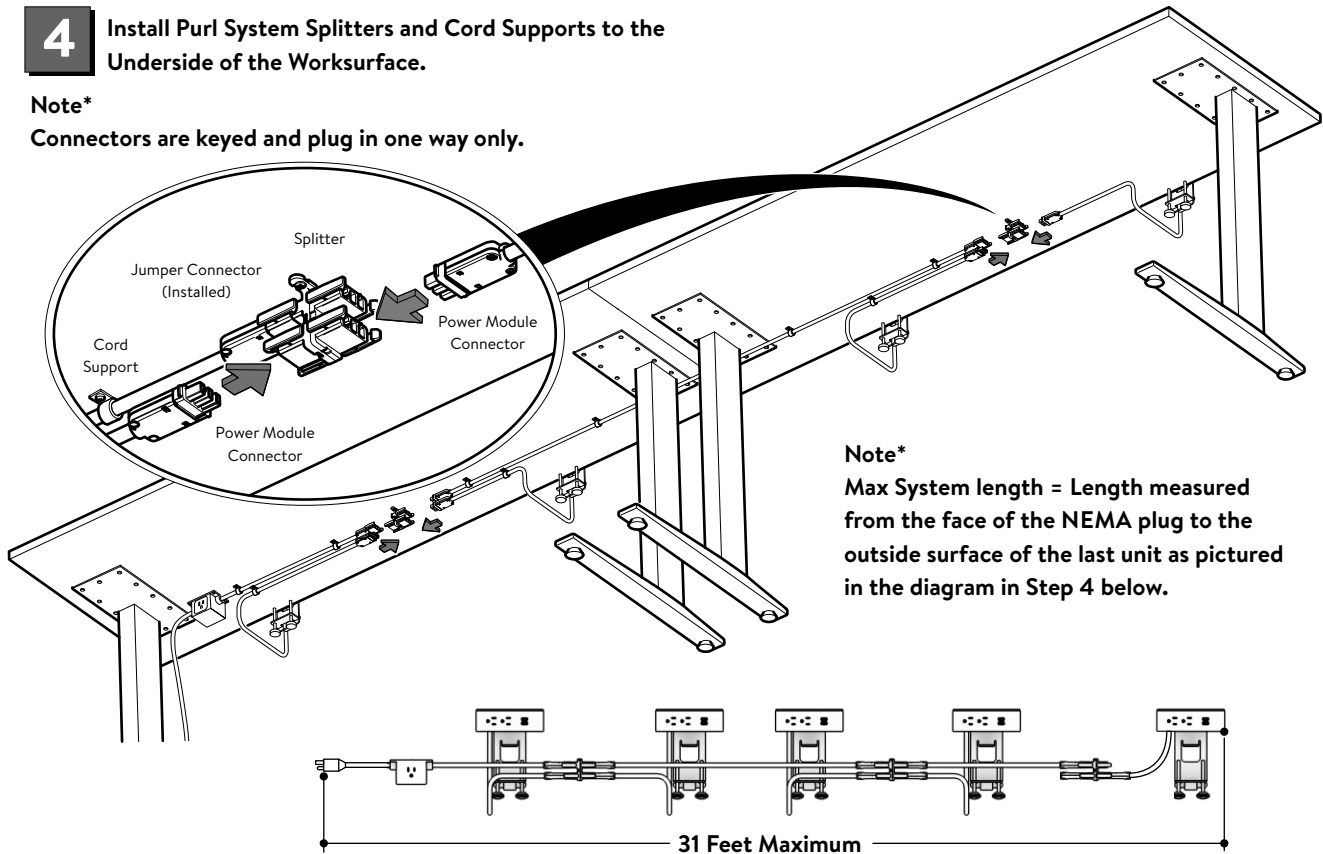
Tools Required \_\_\_\_\_



#### 4 Install Purl System Splitters and Cord Supports to the Underside of the Worksurface.

Note\*

Connectors are keyed and plug in one way only.



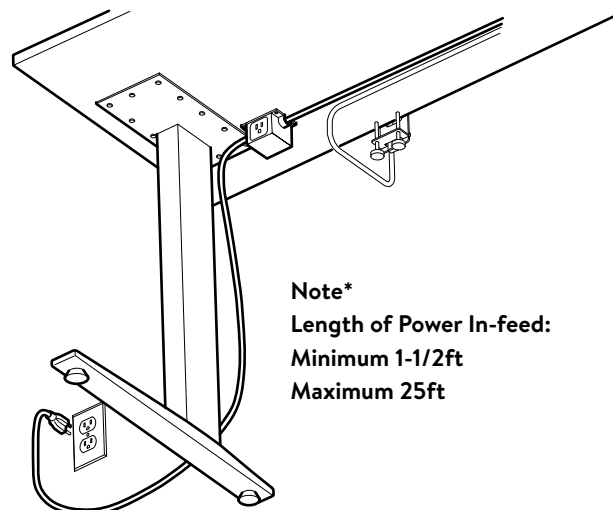
#### 5 Insert NEMA 5-15 Plug into a Properly Wired and Grounded Standard Wall Outlet.



#### CAUTION:

Risk of Electrical Shock.  
Do not plug into another relocatable power tap, a FPDU or an extension cord.

NEMA  
5-15 Plug



Note\*

Length of Power In-feed:  
Minimum 1-1/2ft  
Maximum 25ft