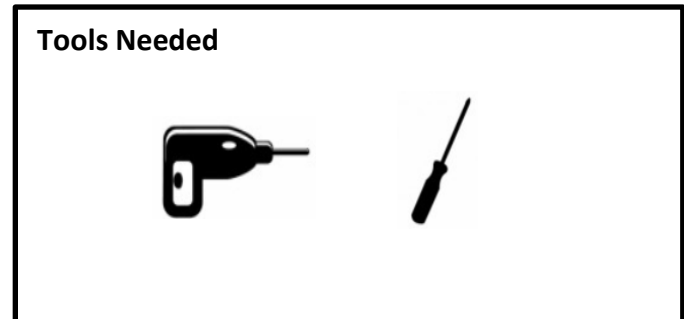
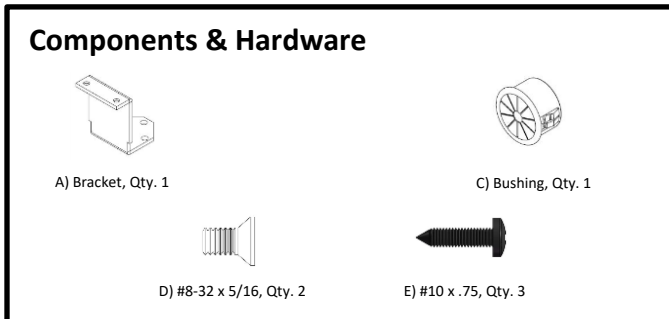
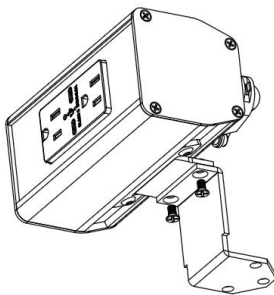


SECLUSION GROMMET HW MOUNT INSTALLATION

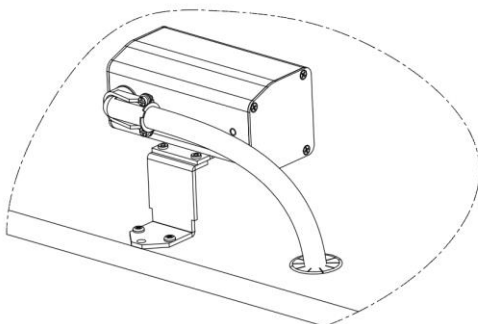


FOR USE WITH: This product sits on table thicknesses of 1" (25.4mm) – 1.5" (38.3mm). *Take care not to pierce finished surfaces with mounting hardware.

- 1-** Determine the Seclusion's mounting location and prepare the surface. Insert 2 screws (D) through the bracket (A) into the Seclusion.



- 2-** Insert the cable through table opening. Position the Seclusion and secure bracket to the table using 2 screws.



Seclusion HW to be installed in compliance with local and national electrical codes.