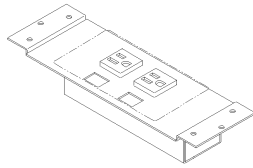


Components & Hardware



(A) Villa, Qty. 1



(B) #8 x .75"
Qty. 10



(C) P-clamp
Qty. 4

Tools Needed

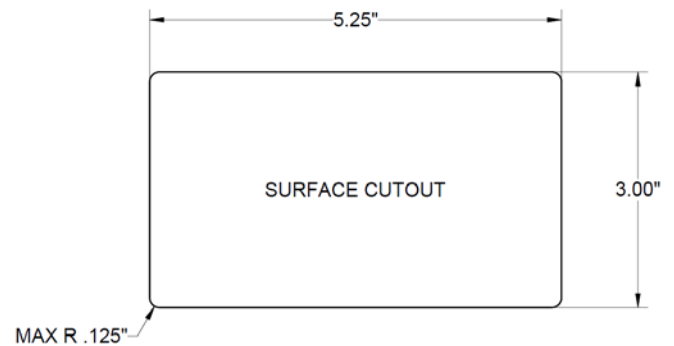


For use with: Surface Thickness: 1" or greater with supplied hardware.

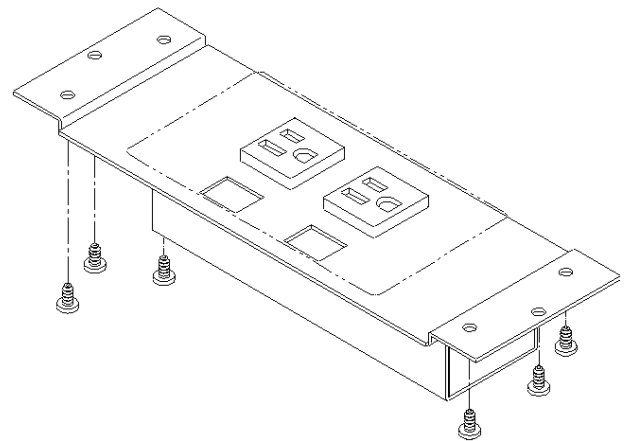
Note: *Take care not to pierce finished surfaces.

Installation Instructions:

- 1- Provide 5.25"x3.00" cutout at location Villa will be mounted. Corners can have a maximum of a 1/8" radius.



- 2- Attach Villa (A) to surface from underside using screws (B) provided as shown*. Center receptacles in opening as shown.



- 3- Connect power and data cabling as needed.

- 4- Use P-Clamps (C) and remaining screws (B) to route cord and attached to underside of work surface as needed.