



COVE™ SERIES

DAISYLINK™



VERSATILE.
ADAPTABLE.

MODULAR CONNECTIONS

Cove™ with Daisylink™ elevates spaces into power-fueled collaborative-hubs. The non-sequential 4 wire 2 circuit electrical system allows Cove™ units to daisy-chain in any arrangement - from a single infeed. Seamless spill-resistant power, USB and data are visibly accessed at surface level; modular interconnecting cables are concealed from the underside.



FEATURES:

Mounting Capabilities
 Bezel /In-Surface

Applications

Ancillary Furniture
 Work Surfaces
 Training Tables
 Soft-Sided Seating

Standard Finishes

Silver 
 Black 
 White 

Specialty Finishes*

Bronze 
 Latte 
 Carbon 
 Brushed Aluminium 



*Interested in our specialty finishes?
 Contact us for details.

SPECIFICATIONS:

- 15A/120V AC Spill-Resistant Receptacles
- (1) 2.4A Reversible USB-A Charging Port & (1) 60-Watt USB-C Power
- Customizable Telecom Plate Knockout (*Available on Select Models; Plate Purchased Separately*)
- Used with 4 Wire 2 Circuit Starter and Interconnecting Cables (*Purchased Separately*)
- Hardwire Starter & Interconnecting Cable Lengths: Minimum 12" - 180" Maximum (*Specify in 1" Increments*)
- Circuit 1 and 2 Options - Link Up-to 40 Receptacles Across 2 Circuits (*US Only*)
- Clamp and Screw Mounting Capabilities (*Screw-Mount Configurations Available Upon Request*)
- Fits Surface Thicknesses: 0.75" - 1.25"
- Optional Mounting Bracket for Surface Thicknesses Up-to 1.50"
- Table Cutout: Varies by Configuration - See Install Sheet for Details
- UL Listed for US and Canada

DAISYLINK™ COMPONENTS

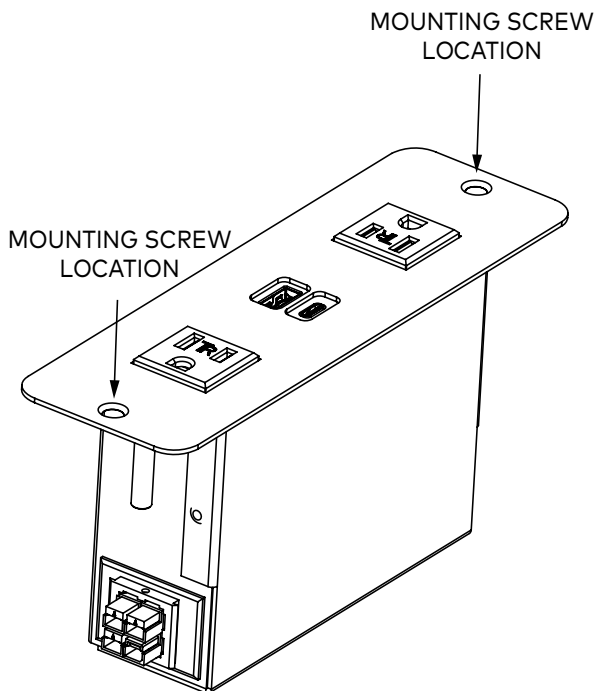
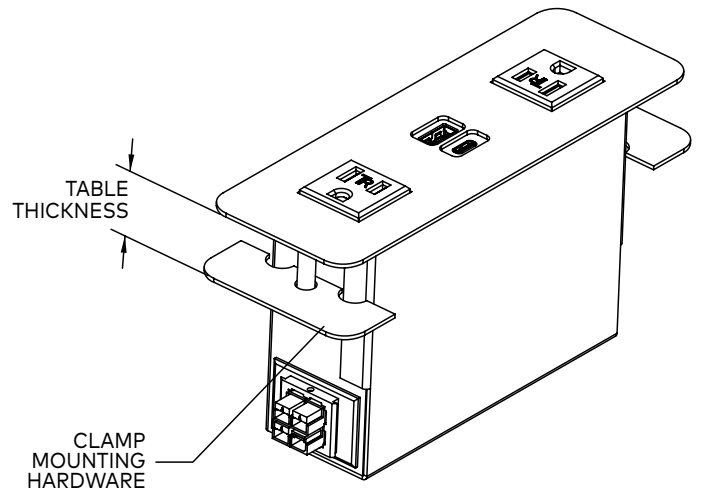
REFER TO DAISYLINK™ COMPONENTS PAGE IN ORDERING INFORMATION FOR DETAILS



Clamp-Mount

(Featured to the right) -

- **Intended Applications:** desks, benches, tables; ideal for surfaces that provide access to back of unit
- **Tool-free installation:** unit is fastened to furniture from the rear by tightening the thumbscrews



Screw-Mount

(Featured to the left) -

- **Intended Applications:** soft sided seating, lounge furniture, support columns; ideal for surfaces where there is limited, or no access to back of unit
- **Installation - requires tools:** screws (not included) are installed from the front of the unit, through the faceplate, fastening the Cove™ to the furniture

PRODUCT DIMENSIONS

POWER ONLY VERSIONS

CLAMP-MOUNT BRACKETS ARE NOT SHOWN IN LINE ART DIAGRAMS

NOTE - FOR ALL UNITS SHOWN BELOW:

UNIT WIDTH = 1.80"
UNIT DEPTH = 3.12"
FACEPLATE WIDTH = 2.50"

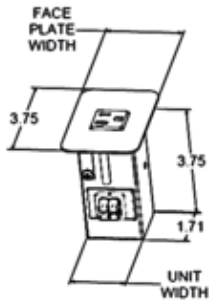
USB A & C VERSIONS

CLAMP-MOUNT BRACKETS ARE NOT SHOWN IN LINE ART DIAGRAMS

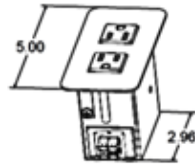
NOTE - FOR ALL UNITS SHOWN BELOW:

UNIT WIDTH = 1.82"
UNIT DEPTH = 3.88"
FACEPLATE WIDTH = 2.50"

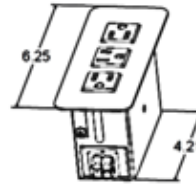
CLAMP-MOUNT | POWER ONLY



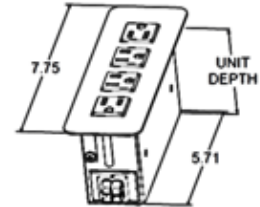
1 RECEPTACLE



2 RECEPTACLES

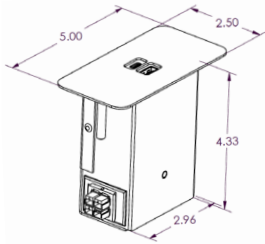


3 RECEPTACLES

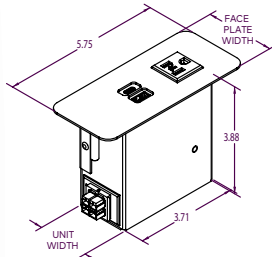


4 RECEPTACLES

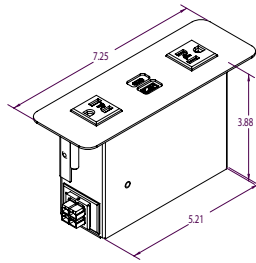
CLAMP-MOUNT | POWER & USB



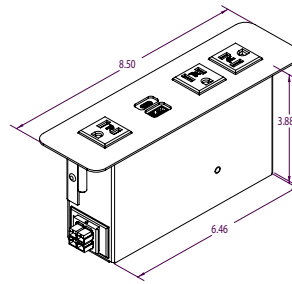
**1 USB A
1 USB C**



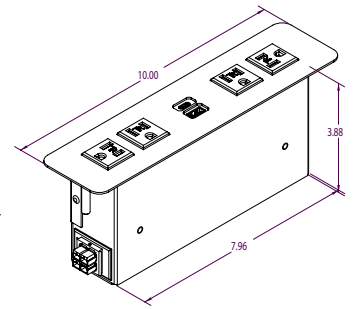
**1 RECEPTACLE
1 USB A
1 USB C**



**2 RECEPTACLES
1 USB A
1 USB C**

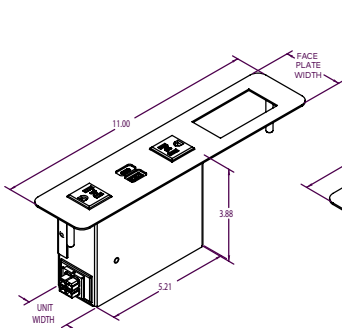


**3 RECEPTACLES
1 USB A
1 USB C**

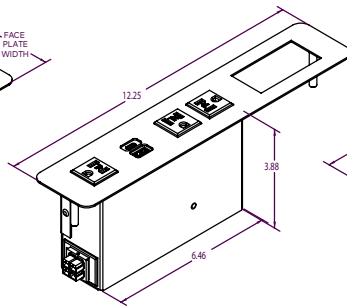


**4 RECEPTACLES
1 USB A
1 USB C**

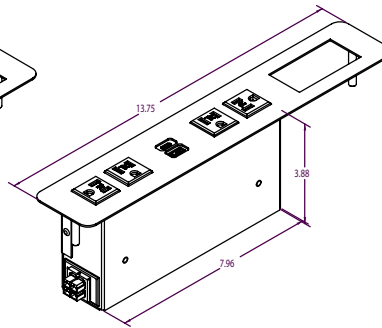
CLAMP-MOUNT | POWER, USB & DATA



**2 RECEPTACLES
1 USB A
1 USB C
1 TELECOM PLATE KNOCKOUT**

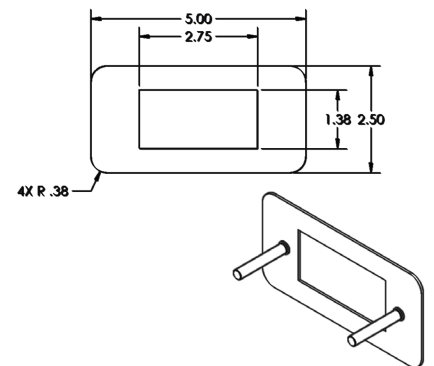


**3 RECEPTACLES
1 USB A
1 USB C
1 TELECOM PLATE KNOCKOUT**



**4 RECEPTACLES
1 USB A
1 USB C
1 TELECOM PLATE KNOCKOUT**

FACEPLATE ONLY | DATA ONLY



**METAL FACEPLATE ONLY (CORDLESS)
1 TELECOM PLATE KNOCKOUT**

COVE DAISYLINK™ CONFIGURATIONS

USB ONLY	FINISH	PRODUCT NUMBER
1 USB A, 1 USB C, CLAMP-MOUNT UNIT WITH CIRCUIT 1	SILVER	06005.03.06.C1
	BLACK	306005.03.04.C1
	WHITE	306005.03.05.C1
	BRONZE	306005.03.07.C1
	LATTE	306005.03.11.C1
	CARBON	306005.03.13.C1
	BRUSHED ALUMINIUM	306005.03.01.C1
1 USB A, 1 USB C, 1 TELECOM PLATE KNOCKOUT, CLAMP-MOUNT UNIT WITH CIRCUIT 1	SILVER	306005.05.06.C1
	BLACK	306005.05.04.C1
	WHITE	306005.05.05.C1
	BRONZE	306005.05.07.C1
	LATTE	306005.05.11.C1
	CARBON	306005.05.13.C1
	BRUSHED ALUMINIUM	306005.05.01.C1
1 USB A, 1 USB C, SCREW-MOUNT UNIT WITH CIRCUIT 1	SILVER	306005.07.06.C1
	BLACK	306005.07.04.C1
	WHITE	306005.07.05.C1
	BRONZE	306005.07.07.C1
	LATTE	306005.07.11.C1
	CARBON	306005.07.13.C1
	BRUSHED ALUMINIUM	306005.07.01.C1
1 USB A, 1 USB C, 2 CONVENIENCE OUTLETS, CLAMP-MOUNT UNIT WITH CIRCUIT 1	SILVER	306005.31.06.C1
	BLACK	306005.31.04.C1
	WHITE	306005.31.05.C1
	BRONZE	306005.31.07.C1
	LATTE	306005.31.11.C1
	CARBON	306005.31.13.C1
	BRUSHED ALUMINIUM	306005.31.01.C1

PRODUCT NOTES:

FOR POWER ONLY MODELS: CHANGE 4-1 TO 4-2 IN PART NUMBER TO SPECIFY CIRCUIT 2 CONFIGURATIONS
 FOR MODELS WITH USB: CHANGE THE "C1" TO A "C2" TO SPECIFY CIRCUIT 2
 SCREW-MOUNT CONFIGURATIONS AVAILABLE UPON REQUEST - CONTACT US FOR MORE DETAILS
 TELECOM PLATES SOLD SEPARATELY
 CALL FOR PRICING

COVE DAISYLINK™ CONFIGURATIONS

ONE POWER	FINISH	PRODUCT NUMBER
1 POWER, CLAMP-ON UNIT CIRCUIT 1	SILVER BLACK WHITE BRONZE LATTE CARBON BRUSHED ALUMINIUM	COV-1-4-1-S COV-1-4-1-B COV-1-4-1-GW COV-1-4-1-Z COV-1-4-1-L COV-1-4-1-C COV-1-4-1-AL
1 POWER, 1 USB A, 1 USB C, CLAMP-MOUNT UNIT CIRCUIT 1	SILVER BLACK WHITE BRONZE LATTE CARBON BRUSHED ALUMINIUM	306006.03.06.C1 306006.03.04.C1 306006.03.05.C1 306006.03.07.C1 306006.03.11.C1 306006.03.13.C1 306006.03.01.C1
1 POWER, 1 USB A, 1 USB C, 1 TELECOM PLATE KNOCKOUT, CLAMP-MOUNT UNIT CIRCUIT 1	SILVER BLACK WHITE BRONZE LATTE CARBON BRUSHED ALUMINIUM	306006.05.06.C1 306006.05.04.C1 306006.05.05.C1 306006.05.07.C1 306006.05.11.C1 306006.05.13.C1 306006.05.01.C1
1 POWER, 1 USB A, 1 USB C, SCREW-MOUNT UNIT CIRCUIT 1	SILVER BLACK WHITE BRONZE LATTE CARBON BRUSHED ALUMINIUM	306006.07.06.C1 306006.07.04.C1 306006.07.05.C1 306006.07.07.C1 306006.07.11.C1 306006.07.13.C1 306006.07.01.C1
1 POWER, 1 USB A, 1 USB C, 2 CONVENIENCE OUTLETS, CLAMP-MOUNT UNIT CIRCUIT 1	SILVER BLACK WHITE BRONZE LATTE CARBON BRUSHED ALUMINIUM	306006.31.06.C1 306006.31.04.C1 306006.31.05.C1 306006.31.07.C1 306006.31.11.C1 306006.31.13.C1 306006.31.01.C1

PRODUCT NOTES:

FOR POWER ONLY MODELS: CHANGE 4-1 TO 4-2 IN PART NUMBER TO SPECIFY CIRCUIT 2 CONFIGURATIONS
 FOR MODELS WITH USB: CHANGE THE "C1" TO A "C2" TO SPECIFY CIRCUIT 2
 SCREW-MOUNT CONFIGURATIONS AVAILABLE UPON REQUEST - CONTACT US FOR MORE DETAILS
 TELECOM PLATES SOLD SEPARATELY
 CALL FOR PRICING

COVE DAISYLINK™ CONFIGURATIONS

TWO POWER	FINISH	PRODUCT NUMBER
2 POWER, CLAMP-ON UNIT CIRCUIT 1	SILVER BLACK WHITE BRONZE LATTE CARBON BRUSHED ALUMINIUM	COV-2-4-1-S COV-2-4-1-B COV-2-4-1-GW COV-2-4-1-Z COV-2-4-1-L COV-2-4-1-C COV-2-4-1-AL
2 POWER, 1 USB A, 1 USB C, CLAMP-MOUNT UNIT CIRCUIT 1	SILVER BLACK WHITE BRONZE LATTE CARBON BRUSHED ALUMINIUM	306007.03.06.C1 306007.03.04.C1 306007.03.05.C1 306007.03.07.C1 306007.03.11.C1 306007.03.13.C1 306007.03.01.C1
2 POWER, 1 USB A, 1 USB C, 1 TELECOM PLATE KNOCKOUT, CLAMP-MOUNT UNIT CIRCUIT 1	SILVER BLACK WHITE BRONZE LATTE CARBON BRUSHED ALUMINIUM	306007.05.06.C1 306007.05.04.C1 306007.05.05.C1 306007.05.07.C1 306007.05.11.C1 306007.05.13.C1 306007.05.01.C1
2 POWER, 1 USB A, 1 USB C, SCREW-MOUNT UNIT CIRCUIT 1	SILVER BLACK WHITE BRONZE LATTE CARBON BRUSHED ALUMINIUM	306007.07.06.C1 306007.07.04.C1 306007.07.05.C1 306007.07.07.C1 306007.07.11.C1 306007.07.13.C1 306007.07.01.C1
2 POWER, 1 USB A, 1 USB C, 2 CONVENIENCE OUTLETS, CLAMP-MOUNT UNIT CIRCUIT 1	SILVER BLACK WHITE BRONZE LATTE CARBON BRUSHED ALUMINIUM	306007.31.06.C1 306007.31.04.C1 306007.31.05.C1 306007.31.07.C1 306007.31.11.C1 306007.31.13.C1 306007.31.01.C1
2 POWER, 1 USB A, 1 USB C, 2 CONVENIENCE OUTLETS, SCREW-MOUNT UNIT CIRCUIT 1	SILVER BLACK WHITE BRONZE LATTE CARBON BRUSHED ALUMINIUM	306007.35.06.C1 306007.35.04.C1 306007.35.05.C1 306007.35.07.C1 306007.35.11.C1 306007.35.13.C1 306007.35.01.C1

PRODUCT NOTES:

FOR POWER ONLY MODELS: CHANGE 4-1 TO 4-2 IN PART NUMBER TO SPECIFY CIRCUIT 2 CONFIGURATIONS
 FOR MODELS WITH USB: CHANGE THE "C1" TO A "C2" TO SPECIFY CIRCUIT 2
 SCREW-MOUNT CONFIGURATIONS AVAILABLE UPON REQUEST - CONTACT US FOR MORE DETAILS
 TELECOM PLATES SOLD SEPARATELY
 CALL FOR PRICING

COVE DAISYLINK™ CONFIGURATIONS

THREE POWER	FINISH	PRODUCT NUMBER
3 POWER, CLAMP-ON UNIT CIRCUIT 1	SILVER BLACK WHITE BRONZE LATTE CARBON BRUSHED ALUMINIUM	COV-3-4-1-S COV-3-4-1-B COV-3-4-1-GW COV-3-4-1-Z COV-3-4-1-L COV-3-4-1-C COV-3-4-1-AL
3 POWER, 1 USB A, 1 USB C, CLAMP-MOUNT UNIT CIRCUIT 1	SILVER BLACK WHITE BRONZE LATTE CARBON BRUSHED ALUMINIUM	306008.03.06.C1 306008.03.04.C1 306008.03.05.C1 306008.03.07.C1 306008.03.11.C1 306008.03.13.C1 306008.03.01.C1
3 POWER, 1 USB A, 1 USB C, 1 TELECOM PLATE KNOCKOUT, CLAMP MOUNT UNIT CIRCUIT 1	SILVER BLACK WHITE BRONZE LATTE CARBON BRUSHED ALUMINIUM	306008.05.06.C1 306008.05.04.C1 306008.05.05.C1 306008.05.07.C1 306008.05.13.C1 306008.05.11.C1 306008.05.01.C1
3 POWER, 1 USB A, 1 USB C, SCREW-MOUNT UNIT CIRCUIT 1	SILVER BLACK WHITE BRONZE LATTE CARBON BRUSHED ALUMINIUM	306008.07.06.C1 306008.07.04.C1 306008.07.05.C1 306008.07.07.C1 306008.07.13.C1 306008.07.11.C1 306008.07.01.C1
3 POWER, 1 USB A, 1 USB C, 1 CONVENIENCE OUTLET, CLAMP-MOUNT UNIT CIRCUIT 1	SILVER BLACK WHITE BRONZE LATTE CARBON BRUSHED ALUMINIUM	306008.17.06.C1 306008.17.04.C1 306008.17.05.C1 306008.17.07.C1 306008.17.13.C1 306008.17.11.C1 306008.17.01.C1
3 POWER, 1 USB A, 1 USB C, 1 TELECOM PLATE KNOCKOUT, CLAMP-MOUNT UNIT CIRCUIT 1	SILVER BLACK WHITE BRONZE LATTE CARBON BRUSHED ALUMINIUM	306008.31.06.C1 306008.31.04.C1 306008.31.05.C1 306008.31.07.C1 306008.31.13.C1 306008.31.11.C1 306008.31.01.C1

PRODUCT NOTES:

FOR POWER ONLY MODELS: CHANGE 4-1 TO 4-2 IN PART NUMBER TO SPECIFY CIRCUIT 2 CONFIGURATIONS
 FOR MODELS WITH USB: CHANGE THE "C1" TO A "C2" TO SPECIFY CIRCUIT 2
 SCREW-MOUNT CONFIGURATIONS AVAILABLE UPON REQUEST - CONTACT US FOR MORE DETAILS
 TELECOM PLATES SOLD SEPARATELY
 CALL FOR PRICING

COVE DAISYLINK™ CONFIGURATIONS

FOUR POWER

	FINISH	PRODUCT NUMBER
4 POWER, CLAMP-ON UNIT CIRCUIT 1	SILVER	COV-4-4-1-S
	BLACK	COV-4-4-1-B
	WHITE	COV-4-4-1-GW
	BRONZE	COV-4-4-1-Z
	LATTE	COV-4-4-1-L
	CARBON	COV-4-4-1-C
	BRUSHED ALUMINIUM	COV-4-4-1-AL
4 POWER, 1 USB A, 1 USB C, CLAMP-MOUNT UNIT CIRCUIT 1	SILVER	306009.03.06.C1
	BLACK	306009.03.04.C1
	WHITE	306009.03.05.C1
	BRONZE	306009.03.07.C1
	LATTE	306009.03.13.C1
	CARBON	306009.03.11.C1
	BRUSHED ALUMINIUM	306009.03.01.C1
4 POWER, 1 USB A, 1 USB C, 1 TELECOM PLATE KNOCKOUT, CLAMP MOUNT UNIT CIRCUIT 1	SILVER	306009.05.06.C1
	BLACK	306009.05.04.C1
	WHITE	306009.05.05.C1
	BRONZE	306009.05.07.C1
	LATTE	306009.05.13.C1
	CARBON	306009.05.11.C1
	BRUSHED ALUMINIUM	306009.05.01.C1

FIVE POWER

5 POWER, 1 USB A, 1 USB C, CLAMP-MOUNT UNIT CIRCUIT 1	SILVER	306010.03.06.C1
	BLACK	306010.03.04.C1
	WHITE	306010.03.05.C1
	BRONZE	306010.03.07.C1
	LATTE	306010.03.13.C1
	CARBON	306010.03.11.C1
	BRUSHED ALUMINIUM	306010.03.01.C1
5 POWER, 1 USB A, 1 USB C, 1 TELECOM PLATE KNOCKOUT, CLAMP MOUNT UNIT CIRCUIT 1	SILVER	306310.05.06.C1
	BLACK	306310.05.04.C1
	WHITE	306310.05.05.C1
	BRONZE	306310.05.07.C1
	LATTE	306310.05.13.C1
	CARBON	306310.05.11.C1
	BRUSHED ALUMINIUM	306310.05.01.C1

SIX POWER

6 POWER, 1 USB A, 1 USB C, CLAMP-MOUNT UNIT CIRCUIT 1	SILVER	306011.03.06.C1
	BLACK	306011.03.04.C1
	WHITE	306011.03.05.C1
	BRONZE	306011.03.07.C1
	LATTE	306011.03.11.C1
	CARBON	306011.03.13.C1
	BRUSHED ALUMINIUM	306011.03.01.C1
6 POWER, 1 USB A, 1 USB C, 1 TELECOM PLATE KNOCKOUT, CLAMP MOUNT UNIT CIRCUIT 1	SILVER	306011.05.06.C1
	BLACK	306011.05.04.C1
	WHITE	306011.05.05.C1
	BRONZE	306011.05.07.C1
	LATTE	306011.05.11.C1
	CARBON	306011.05.13.C1
	BRUSHED ALUMINIUM	306011.05.01.C1

PRODUCT NOTES:

FOR POWER ONLY MODELS: CHANGE 4-1 TO 4-2 IN PART NUMBER TO SPECIFY CIRCUIT 2 CONFIGURATIONS

FOR MODELS WITH USB: CHANGE THE "C1" TO A "C2" TO SPECIFY CIRCUIT 2

SCREW-MOUNT CONFIGURATIONS AVAILABLE UPON REQUEST - CONTACT US FOR MORE DETAILS

TELECOM PLATES SOLD SEPARATELY

CALL FOR PRICING



FACEPLATE ONLY CONFIGURATIONS

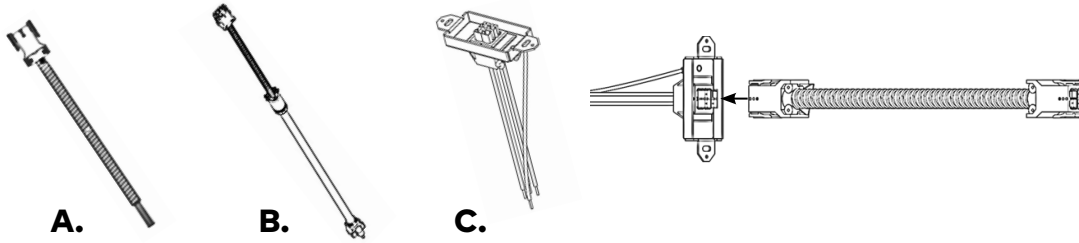
	FINISH	PRODUCT NUMBER
COVE FACEPLATE WITH TELECOM PLATE KNOCKOUTS, CORDLESS	SILVER	COV-D-S
	BLACK	COV-D-B
	WHITE	COV-D-GW
	BRONZE	COV-D-Z
	LATTE	COV-D-L
	CARBON	COV-D-C
	BRUSHED ALUMINIUM	COV-D-AL

MOUNTING ACCESSORIES

	FINISH	PRODUCT NUMBER
OPTIONAL MOUNTING BRACKET FOR TABLE THICKNESSES UP-TO 1.50"	BLACK	COV-1.5-BRKT

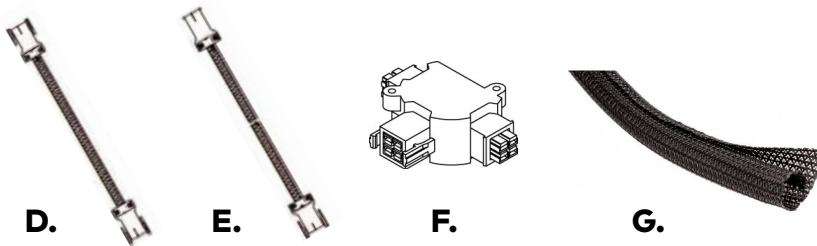
DAISYLINK™ COMPONENTS

SELECT YOUR STARTER INFEED OPTION:



DESCRIPTION	LENGTH/FINISH	PART NUMBER
A. Hardwired multi-circuit starter infeed with female DaisyLink™ connector; hardwires into electrical junction box *Specify in increments of 1" Cable Lengths in Part Number	12" Min - 180" Max	42-SB2-XXX*
B. Molded 3-prong plug single-circuit starter power Infeed with female DaisyLink™ connector; plugs directly into wall or floor outlet	72"	42-20AP1-72
C. Quick Disconnect multi-circuit wall/floor insert with male DaisyLink™ connector; wires into junction box to accept female DaisyLink™ interconnecting cable (To be used with 42 FF-XXX interconnecting cable - <i>see below</i>)	Black	42-QD-INSERT

CHOOSE YOUR INTERCONNECTING CABLES:



DESCRIPTION	LENGTH/FINISH	PART NUMBER
D. Female/Female Interconnecting Cable *Specify in increments of 1" Cable Lengths in Part Number	12" Min - 180" Max	42-FF-XXX*
E. Female/Male Interconnecting Cable *Specify in increments of 1" Cable Lengths in Part Number	12" Min - 180" Max	42-FM-XXX*
F. T-Connector used to branch cabling in different directions; 2 male and 1 female endings	Black	Daisy-T
G. Nylon Black Cable Covers - Add "B" to cabling part number	Black	Cable Covers "B"

TO LEARN HOW TO CONFIGURE AND ASSEMBLE A 4 WIRE 2 CIRCUIT SYSTEM, SEE DAISYLINK™ SYSTEM LITERATURE FOR DETAILS OR CONTACT OUR KNOWLEDGEABLE CUSTOMER SERVICE TEAM

IF YOU HAVE STANDARD TABLE SIZES, SEE THE COVE DAISYLINK™ QUICK KIT LITERATURE FOR PRE-SPECIFIED CABLING KITS; FOR HELP WITH YOUR INDIVIDUAL TABLE OR ROOM CONFIGURATIONS, CONTACT OUR KNOWLEDGEABLE CUSTOMER SERVICE TEAM