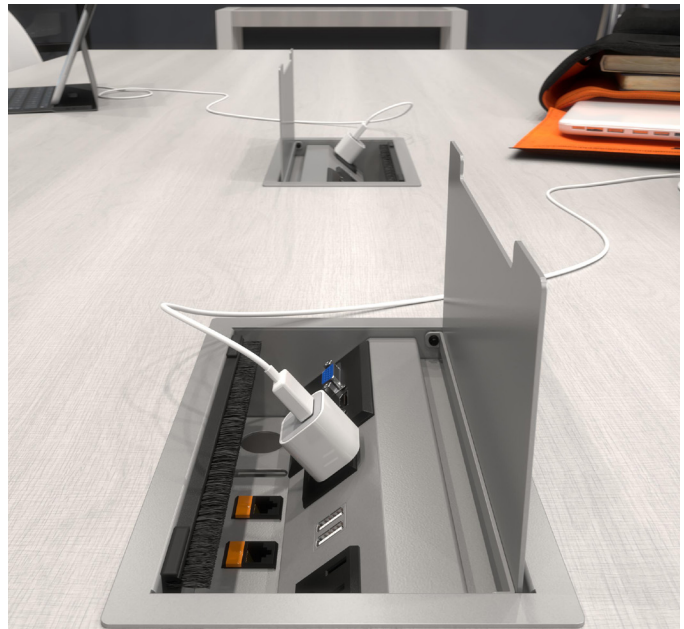




INTERACT G2 SERIES

CORDED & HARDWIRED



BRINGING
THE TEAM
TOGETHER

PRODUCTIVITY-ENHANCING SOLUTIONS FOR COLLAB SPACES

Create powerful connections with the convenience of Interact G2 Series. Available as an in-surface or under table (UT) unit, Interact G2 provides curated power, data and USB charging options essential to collaborative spaces. A convenience outlet and two additional openings on the underside of the unit accommodate additional inserts for audio/visual options and cable pass thru's for additional wire management.











FEATURES:

Mounting Capabilities
 Bezel/In-Surface
 Under Table (UT)

Applications
 Conference/Meeting
 Collaborative Spaces

Standard Finishes*

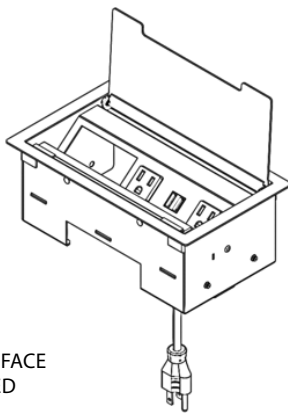
- Silver 
- Black 
- White 
- Brushed Aluminum 
- Brushed Stainless Steel 
- Bronze 
- Latte 
- Carbon 

Trim Kit Lid Finishes

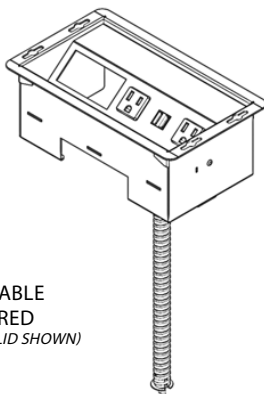
(For UT Version Only)

- Frosted Glass 
- Brushed Aluminum 

*Interested in our specialty finishes?
 Contact us for details.



IN-SURFACE
 CORDED



UNDER TABLE
 HARDWIRED
 (WITHOUT LID SHOWN)

UNIT SPECIFICATIONS:

- 15A/120V AC Receptacles
- 2.1A/5V Shared; Dual USB Charging Ports (*Available on Select Models*)
- Data Knockouts (*Keystone Data Options Available; Purchased Separately*)
- Convenience Outlet
- Customizable Telecom Plate Knockouts (*Plates Purchased Separately*)
- Cord Pass Thru's for Cord Management
- Standard Cord and Hardwired Whip Lengths: 72"
- Fits Surface Thicknesses: 0.88" - 2.0"
- Fits Surface Cutout:
 - *In-Surface Model* - 8.38" x 4.75"
 - *UT Unit Model* - 8.0" - 4.50"
- ETL Listed for US and Canada

INTERACT G2 UT TRIM & LID PIVOT KIT SPECIFICATIONS:

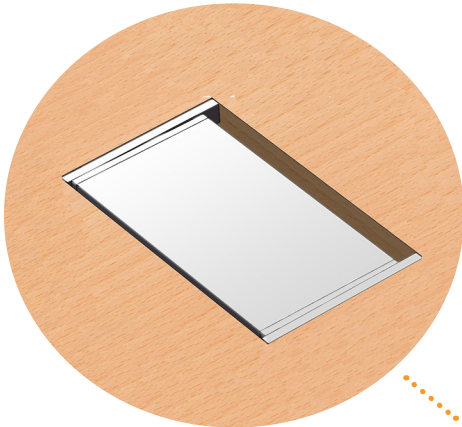
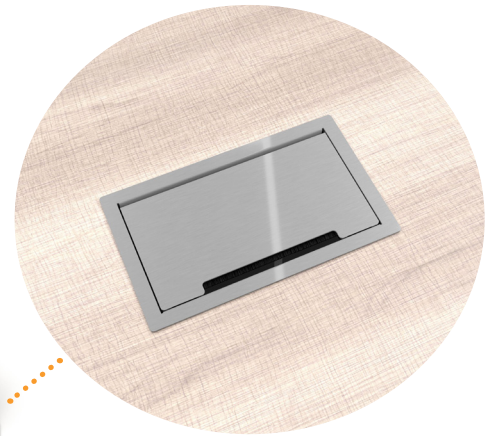
- For Use with Under Table (UT) Models Only
- Trim Pivot Kit Includes Brushed Aluminum Components for Lid Assembly
- Fits Standard Interact G2 UT Surface Cutout (*Listed in Specs Above*)
- Fits Surface Thicknesses: 0.75" - 2.0"
- Frosted Glass or Brushed Aluminum Lid - Must Be Used with Trim Pivot Kit (*Purchased Separately*)
 - Lid Thickness: 0.25"

Note: When using Interact G2 UT, the interior of the cutout is exposed. We suggest finishing external edge.

Mounting capabilities on following page...

In-Surface/Bezel (Featured to the right) -

- Easily integrate Interact G2 tabletop unit directly into the surface cutout. This model comes standardly equipped with a hinged lid with brushed liner trim to prevent dust and debris from falling through the opening. The lid flips up for access and can remain open when in use, and provides a clean aesthetic when closed.

*Under Table (UT) (Featured to the left) -*

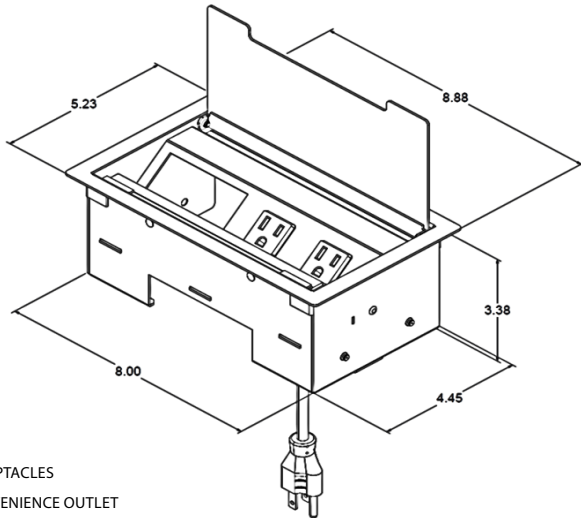
- As the name implies, Interact G2 UT secures to the underside of the application for a completely flush finish. When paired with the optional Trim & Lid Pivot Kits, the brushed aluminum or frosted glass lid flips open and closed, providing easy access to integrated technology with additional cable management capabilities.

Looking for a customized finish? Fabricate your own lid (paired with the Trim Kit) to match your application for a flawless and cohesive aesthetic.

Note: Custom lids are not provided

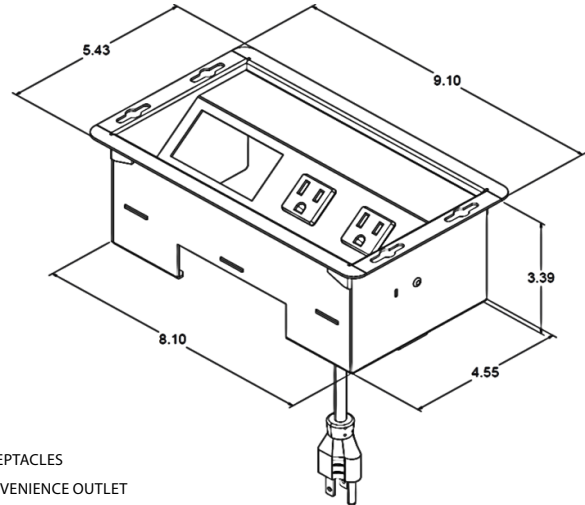
Series dimensions on following page...

INTERACT G2 | POWER, DATA & CONVENIENCE OUTLET



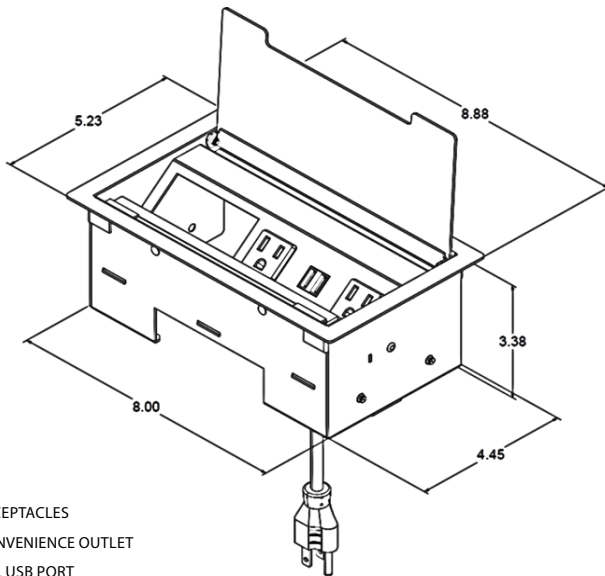
- 2 RECEPTACLES
- 1 CONVENIENCE OUTLET
- 2 CORD PASS THRU'S
- 2 DATA KNOCKOUTS
- 1 TELECOM PLATE KNOCKOUT

INTERACT G2 UT | POWER, DATA & CONVENIENCE OUTLET



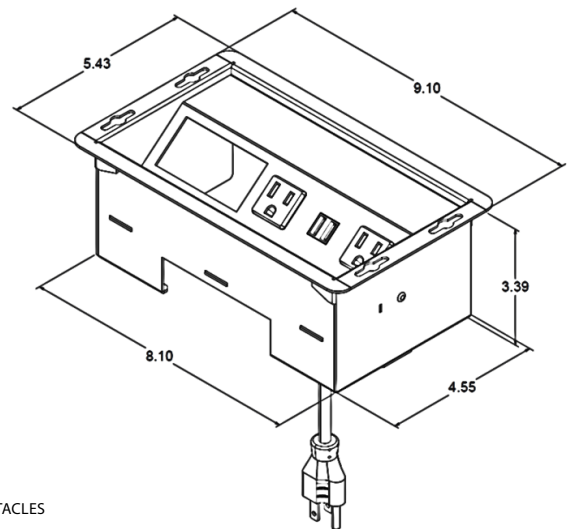
- 2 RECEPTACLES
- 1 CONVENIENCE OUTLET
- 2 CORD PASS THRU'S
- 2 DATA KNOCKOUTS
- 1 TELECOM PLATE KNOCKOUT

INTERACT G2 | POWER, USB, DATA & CONVENIENCE OUTLET



- 2 RECEPTACLES
- 1 CONVENIENCE OUTLET
- DUAL USB PORT
- 2 CORD PASS THRU'S
- 2 DATA KNOCKOUTS
- 1 TELECOM PLATE KNOCKOUT

INTERACT G2 UT | POWER, USB, DATA & CONVENIENCE OUTLET

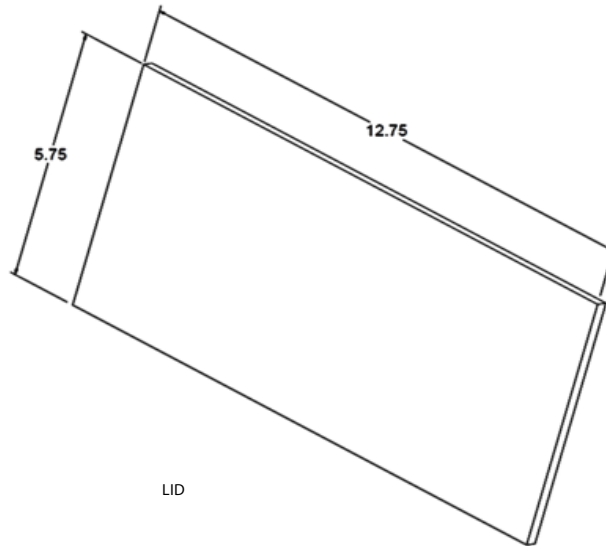


- 2 RECEPTACLES
- 1 CONVENIENCE OUTLET
- DUAL USB PORT
- 2 CORD PASS THRU'S
- 2 DATA KNOCKOUTS
- 1 TELECOM PLATE KNOCKOUT

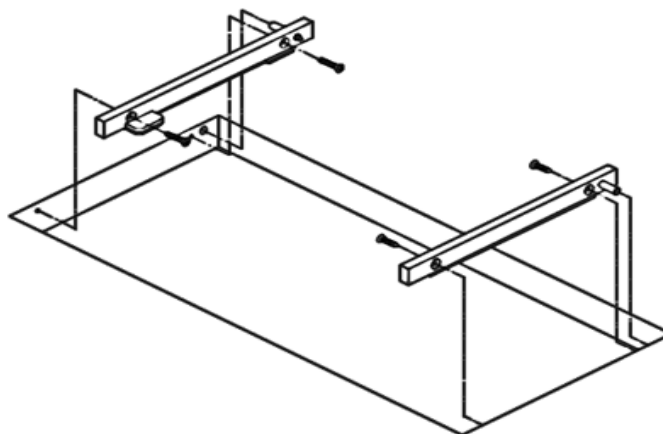
Continued on following page...

INTERACT G2 UT | LID & TRIM PIVOT KIT

*Refer to Trim Pivot Kit Installation Sheet
for Lid & Trim Pivot Kit Assembly Directions



LID



ASSEMBLED
TRIM PIVOT KIT COMPONENTS

Ordering information on following page...

CORDED CONFIGURATIONS

	FINISH	PRODUCT NUMBER
2 POWER, 2 DATA KNOCKOUTS, 1 TELECOM PLATE KNOCKOUTS, 1 CONVENIENCE OUTLET, CORDED UNIT	SILVER	ACT-21-S-72
	BLACK	ACT-21-B-72
	WHITE	ACT-21-GW-72
	BRONZE	ACT-21-Z-72
	LATTE	ACT-21-L-72
	CARBON	ACT-21-C-72
	BRUSHED ALUMINIUM	ACT-21-AL-72
	BLACK BRUSHED STAINLESS STEEL	ACT-21-SS-72
2 POWER, 1 DUAL USB, 2 DATA KNOCKOUTS, 1 TELECOM PLATE KNOCKOUT, 1 CONVENIENCE OUTLET, CORDED UNIT	SILVER	ACT-21U-S-72
	BLACK	ACT-21U-B-72
	WHITE	ACT-21U-GW-72
	BRONZE	ACT-21U-Z-72
	LATTE	ACT-21U-L-72
	CARBON	ACT-21U-C-72
	BRUSHED ALUMINIUM	ACT-21U-AL-72
	BLACK BRUSHED STAINLESS STEEL	ACT-21U-SS-72
2 POWER, 2 DATA KNOCKOUTS, 1 TELECOM PLATE KNOCKOUT, 1 CONVENIENCE OUTLET, UNDERMOUNT CORDED UNIT	SILVER	ACT-UT-21-S-72
	BLACK	ACT-UT-21-B-72
	WHITE	ACT-UT-21-GW-72
	BRONZE	ACT-UT-21-Z-72
	LATTE	ACT-UT-21-L-72
	CARBON	ACT-UT-21-C-72
2 POWER, 1 DUAL USB, 2 DATA KNOCKOUTS, 1 TELECOM PLATE KNOCKOUT, 1 CONVENIENCE OUTLET, CORDED UNIT	SILVER	ACT-UT-21U-S-72
	BLACK	ACT-UT-21U-B-72
	WHITE	ACT-UT-21U-GW-72
	BRONZE	ACT-UT-21U-Z-72
	LATTE	ACT-UT-21U-L-72
	CARBON	ACT-UT-21U-C-72

OTHER CORD & WHIP LENGTHS AVAILABLE AT COST: 36", 108", 144" AND 180"
 REPLACE 72 IN THE LISTED PART NUMBER WITH APPROPRIATE LENGTH: 36, 108, 144 OR 180
 TELECOM PLATES SOLD SEPARATELY
 LID AND TRIM KIT FOR UT VERSIONS SOLD SEPARATELY
 CALL FOR PRICING

HARDWIRED CONFIGURATIONS

	FINISH	PRODUCT NUMBER
2 POWER, 2 DATA KNOCKOUTS, 1 TELECOM PLATE KNOCKOUTS, 1 CONVENIENCE OUTLET, HARDWIRED UNIT	SILVER	ACT-21-S-HW72
	BLACK	ACT-21-B-HW72
	WHITE	ACT-21-GW-HW72
	BRONZE	ACT-21-Z-HW72
	LATTE	ACT-21-L-HW72
	CARBON	ACT-21-C-HW72
	BRUSHED ALUMINIUM	ACT-21-AL-HW72
	BLACK BRUSHED STAINLESS STEEL	ACT-21-SS-HW72
2 POWER, 1 DUAL USB, 2 DATA KNOCKOUTS, 1 TELECOM PLATE KNOCKOUT, 1 CONVENIENCE OUTLET, HARDWIRED UNIT	SILVER	ACT-21U-S-HW72
	BLACK	ACT-21U-B-HW72
	WHITE	ACT-21U-GWHW72
	BRONZE	ACT-21U-Z-HW72
	LATTE	ACT-21U-L-HW72
	CARBON	ACT-21U-C-HW72
	BRUSHED ALUMINIUM	ACT-21U-ALHW72
	BLACK BRUSHED STAINLESS STEEL	ACT-21U-SSH72
2 POWER, 2 DATA KNOCKOUTS, 1 TELECOM PLATE KNOCKOUT, 1 CONVENIENCE OUTLET, UNDERMOUNT HARDWIRED UNIT	SILVER	ACT-UT-21-SHW72
	BLACK	ACT-UT-21-BHW72
	WHITE	ACT-UT-21-GWHW72
	BRONZE	ACT-UT-21-ZHW72
	LATTE	ACT-UT-21-LHW72
	CARBON	ACT-UT-21-CHW72
2 POWER, 1 DUAL USB, 2 DATA KNOCKOUTS, 1 TELECOM PLATE KNOCKOUT, 1 CONVENIENCE OUTLET, HARDWIRED UNIT	SILVER	ACT-UT-21USHW72
	BLACK	ACT-UT-21UBHW72
	WHITE	ACT-UT21UGWHW72
	BRONZE	ACT-UT-21UZHW72
	LATTE	ACT-UT-21ULHW72
	CARBON	ACT-UT-21UCHW72

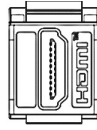
OTHER CORD & WHIP LENGTHS AVAILABLE AT COST: 36", 108", 144" AND 180"
 REPLACE 72 IN THE LISTED PART NUMBER WITH APPROPRIATE LENGTH: 36, 108, 144 OR 180
 TELECOM PLATES SOLD SEPARATELY
 LID AND TRIM KIT FOR UT VERSIONS SOLD SEPARATELY
 CALL FOR PRICING

DATA & ACCESSORY OPTIONS

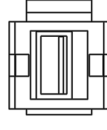
SELECT YOUR DATA KNOCKOUT OPTIONS:



A.



B.

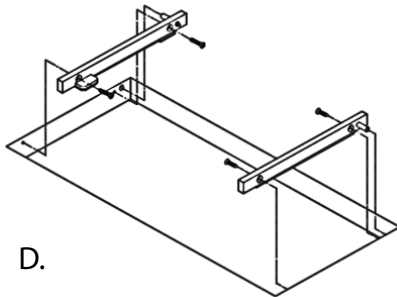


C.

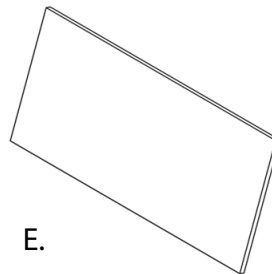
DESCRIPTION	FINISH	PART NUMBER
A. RJ45 cat 6 punch down data jack; <i>Siemon™ brand</i>	Black	RJ45-B
B. HDMI keystone jack, female/female	Black	HDMI-KEY-B
C. USB 2.0 Type-A keystone, female/female	Black White	USB-20AA-B-72K USB-20AA-W-72K

ADDITIONAL DATA OPTIONS AVAILABLE
PLEASE CONTACT OUR KNOWLEDGEABLE CUSTOMER SERVICE TEAM FOR MORE DETAILS

INTERACT G2 UT LID & TRIM PIVOT KIT (OPTIONAL):



D.



E.

DESCRIPTION	FINISH	PART NUMBER
D. Trim Pivot Kit - components for lid assembly for Interact G2 UT Versions Only (<i>can be used alone, with custom lid, or provided lid options</i>)	Brushed Aluminum	INTERACT UT LPA*
E. Lid Kit - lid to be used with Trim Pivot Kit	Frosted Glass Brushed Aluminum	INTERACT UT LG2* INTERACT UT LA*

*BOTH TRIM & LID (CHOOSE ONE) PART NUMBERS ARE REQUIRED FOR COMPLETE INTERACT G2 UT LID ASSEMBLY