



OASIS™ MINI SERIES DAISYLINK™



CRITICAL
CONNECTIVITY

CABLE
MANAGEMENT

POWER
CUSTOMIZATION

MODULAR CONNECTIVITY FOR CONFERENCING APPLICATIONS

Integrate innovative technology seamlessly within your conferencing applications using Oasis™ Mini with DaisyLink™. The non-sequential 4 wire 2 circuit electrical system allows both tabletop and under table models to daisy-chain from a single infeed; delivering centralized locations to easily access power, USB, and data. The adaptable 15-inch table trough solutions keep power capabilities, wires and cords neatly contained thanks to the retractable two-panel closure lid or Trim Pivot Kit Lid options.











FEATURES:

Mounting Capabilities
 Bezel/In-Surface
 Under Table (UT)

Applications
 Conference/Meeting
 Collaborative Spaces

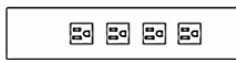
Standard Finishes*

- Silver 
- Black 
- White 
- Brushed Aluminum 
- Black Brushed Aluminum 
- Bronze 
- Latte 
- Carbon 

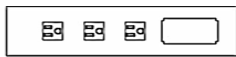
Trim Kit Lid Finishes (For UT Version Only)

Frosted Glass 

*Interested in our specialty finishes?
 Contact us for details.



POWER ONLY INSERT



POWER & DATA INSERT



POWER & USB INSERT



DATA ONLY INSERT

UNIT SPECIFICATIONS:

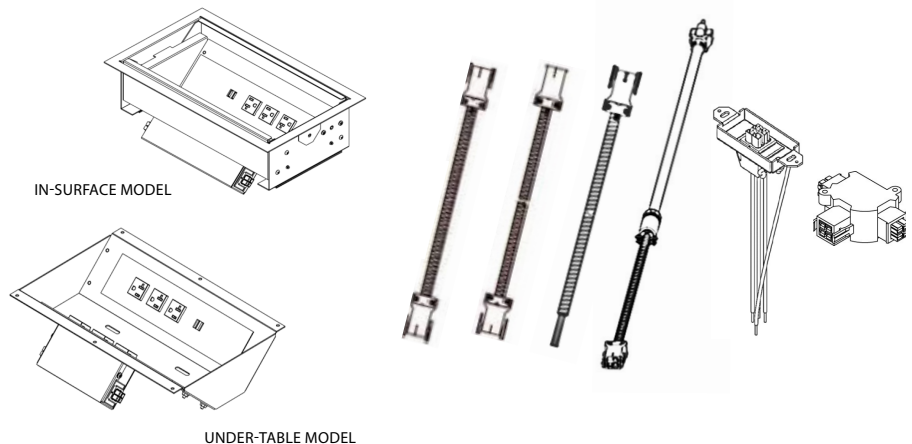
- 20A/120V AC Receptacles
- 2.1A/5V Shared; Dual USB Charging Ports (Available on Select Models)
- Customizable Telecom Plate Knockouts (Available on Select Models; Plates Purchased Separately)
- Used with 4 Wire 2 Circuit Starter and Interconnecting Cables (Purchased Separately)
- Hardwire Starter & Interconnecting Cable Lengths: Minimum 12" - 180" Maximum (Specify in 1" Increments)
- Circuit 1 and 2 Options - Link Up-to 40 Receptacles Across 2 Circuits (US Only)
- 15-Inch Table Trough - Tabletop and Under Table (UT) Models
- Fits Surface Thicknesses: 0.88" - 2.0"
- Fits Surface Cutout: 14.12" x 8.25" (See Install Sheet for Additional Required Undercut Instructions)
- Optional Outer Pan Accessory (Purchased Separately)
- Power Inserts - UL Listed for US and Canada

OASIS™ MINI UT TRIM & LID PIVOT KIT SPECIFICATIONS:

- For Use with Under Table (UT) Models Only
- Trim Pivot Kit Includes Brushed Aluminum Components for Lid Assembly
- Fits Standard Oasis™ Mini Surface Cutout (Listed in Specs Above)
- Fits Surface Thicknesses: 0.75" - 2.0"
- Includes Set of 2 Frosted Glass Lids - Must Be Used with Trim Pivot Kit (Purchased Separately)
 - Lid Thickness: 0.25"

DAISYLINK™ COMPONENTS

REFER TO DAISYLINK™ COMPONENTS PAGE IN ORDERING INFORMATION FOR DETAILS



Mounting capabilities on following page...

In-Surface/Bezel (Featured to the right) -

- Easily integrate Oasis™ Mini tabletop unit directly into the surface cutout. This model comes standardly equipped with a clever retractable lid that keeps wires and cables organized and out of sight. When closed, the unit sits nearly flush to the surface for an overall aesthetic finish.

*Under Table (UT) (Featured to the left) -*

- Oasis™ Mini UT secures to the underside of the application for a completely recessed finish. When paired with the optional Trim & Lid Pivot Kits, the set of frosted glass lids flip open and closed; providing easy access to integrated technology with additional cable management capabilities.

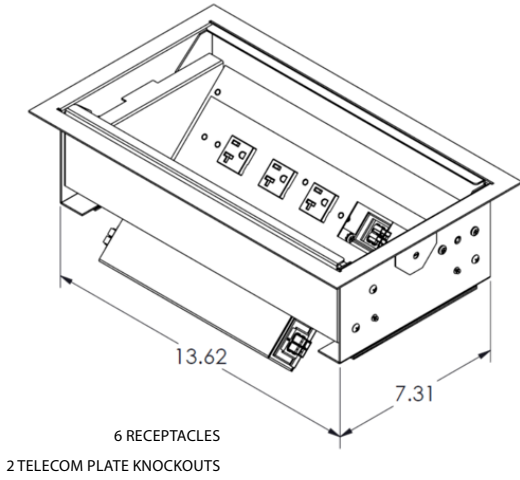
Looking for a customized finish? Fabricate your own lid (paired with the Trim Kit) to match your application for a flawless and cohesive aesthetic.

Note: Custom lids are not provided

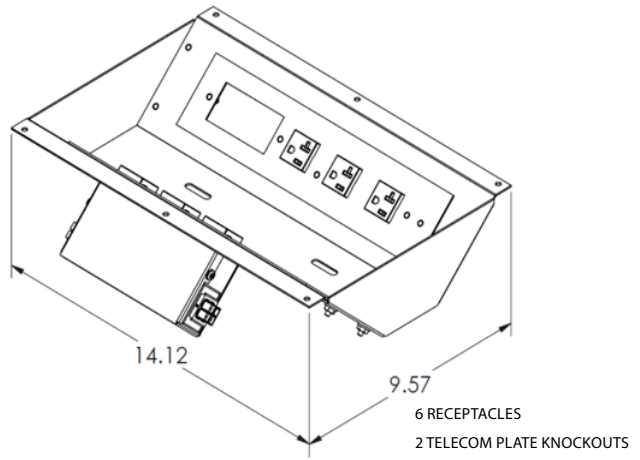


Series dimensions on following page...

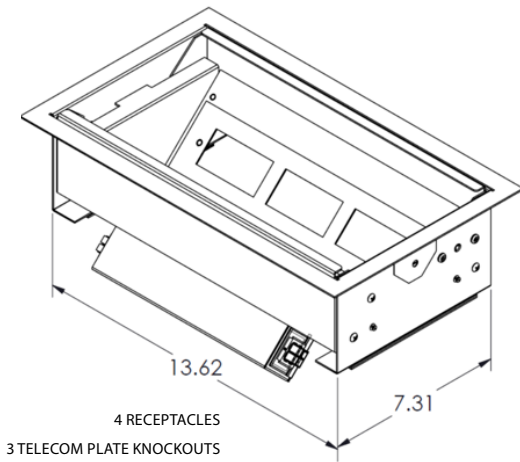
OASIS™ MINI A | POWER & DATA



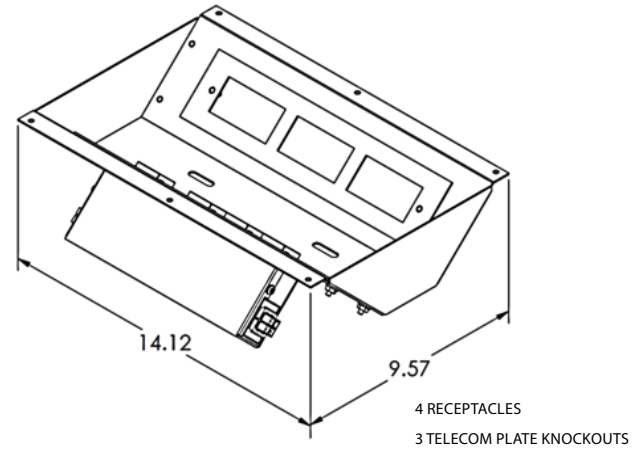
OASIS™ MINI UT A | POWER & DATA



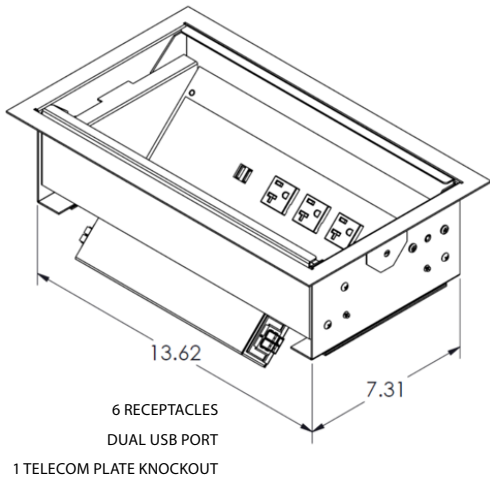
OASIS™ MINI B | POWER & DATA



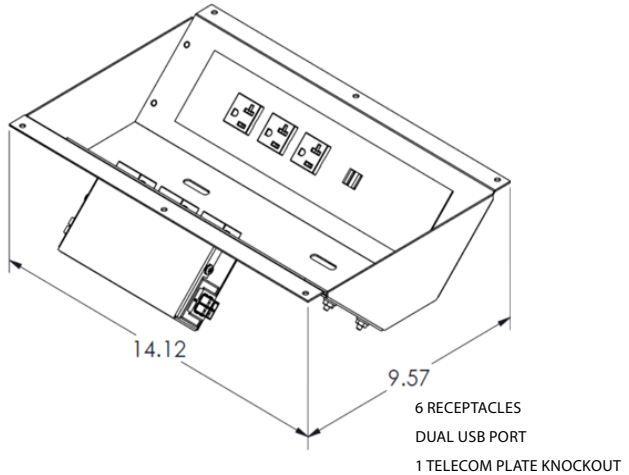
OASIS™ MINI UT B | POWER & DATA



OASIS™ MINI USB | POWER & USB

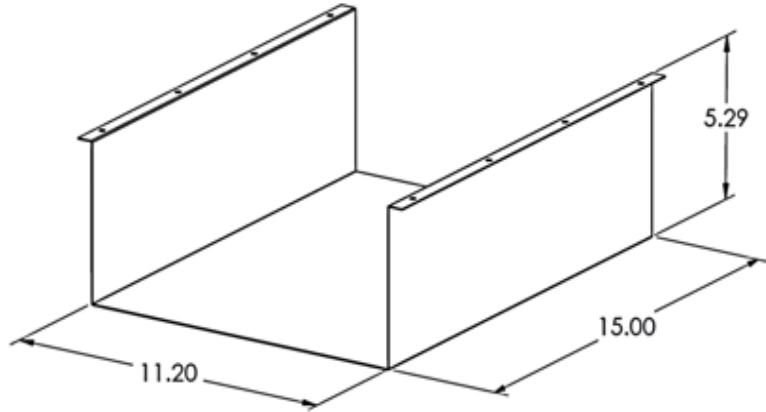


OASIS™ MINI UT USB | POWER & USB

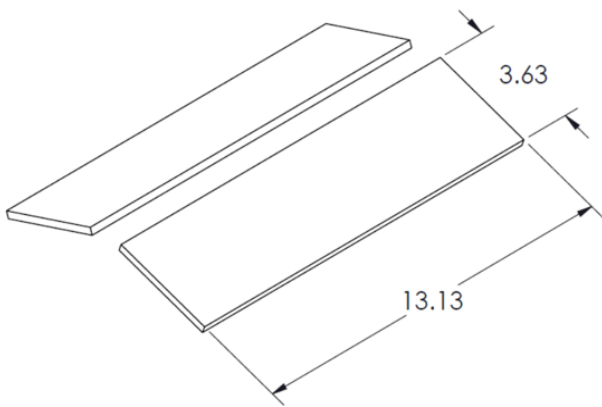


Continued on following page...

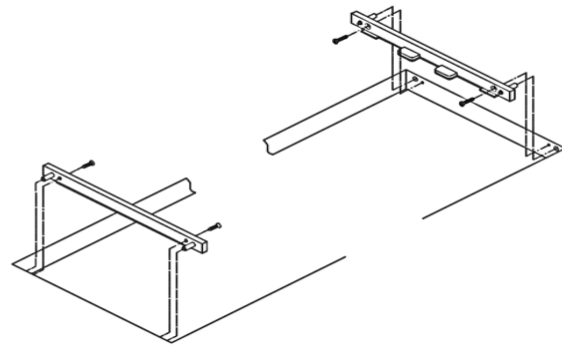
OASIS™ MINI SERIES | OUTER PAN ACCESSORY



OASIS™ MINI UT | LID & TRIM PIVOT KIT



LIDS (SET OF 2)



ASSEMBLED TRIM PIVOT KIT COMPONENTS*

Refer to Trim Pivot Kit Installation Sheet for Trim & Lid Pivot Kit Assembly Directions

Ordering information on following page...

7310 Innovation Blvd., Suite 104, Fort Wayne, IN 46818 | P: (800)-829-3101 | F: (260)-357-4293 | Dekkopower.com

OASIS MINI CONFIGURATIONS

OASIS MINI A	FINISH	PRODUCT NUMBER
6 POWER, 2 TELECOM PLATE KNOCKOUTS, CIRCUIT 1, CORDED UNIT	SILVER	OAM-A-PC-4-1-S
	BLACK	OAM-A-PC-4-1-B
	WHITE	OAM-A-PC-4-1-GW
	BRONZE	OAM-A-PC-4-1-Z
	LATTE	OAM-A-PC-4-1-L
	CARBON	OAM-A-PC-4-1-C
	BRUSHED ALUMINIUM BLACK BRUSHED ALUMINIUM	OAM-A-4-1-S OAM-A-4-1-B
6 POWER, 2 TELECOM PLATE KNOCKOUTS, UNDERMOUNT CIRCUIT 1 CORDED UNIT	SILVER	OAM-UT-A-4-1-S
	BLACK	OAM-UT-A-4-1-B
	WHITE	OAM-UT-A-4-1-GW
	BRONZE	OAM-UT-A-4-1-Z
	LATTE	OAM-UT-A-4-1-L
	CARBON	OAM-UT-A-4-1-C

OASIS MINI B

4 POWER, 2 TELECOM PLATE KNOCKOUTS, CIRCUIT 1, CORDED UNIT	SILVER	OAM-B-PC-4-1-S
	BLACK	OAM-B-PC-4-1-B
	WHITE	OAM-B-PC-4-1-GW
	BRONZE	OAM-B-PC-4-1-Z
	LATTE	OAM-B-PC-4-1-L
	CARBON	OAM-B-PC-4-1-C
	BRUSHED ALUMINIUM BLACK BRUSHED ALUMINIUM	OAM-B-4-1-S OAM-B-4-1-B
4 POWER, 2 TELECOM PLATE KNOCKOUTS, UNDERMOUNT CIRCUIT 1 CORDED UNIT	SILVER	OAM-UT-B-4-1-S
	BLACK	OAM-UT-B-4-1-B
	WHITE	OAM-UT-B-4-1-GW
	BRONZE	OAM-UT-B-4-1-Z
	LATTE	OAM-UT-B-4-1-L
	CARBON	OAM-UT-B-4-1-C

OASIS MINI USB

6 POWER, 1 DUAL USB, 1 TELECOM PLATE KNOCKOUT, CIRCUIT 1, CORDED UNIT	SILVER	OAM-U-PC-4-1-S
	BLACK	OAM-U-PC-4-1-B
	WHITE	OAM-U-PC-4-1-GW
	BRONZE	OAM-U-PC-4-1-Z
	LATTE	OAM-U-PC-4-1-L
	CARBON	OAM-U-PC-4-1-C
	BRUSHED ALUMINIUM BLACK BRUSHED ALUMINIUM	OAM-U-4-1-AL OAM-U-4-1-BA
6 POWER, 1 DUAL USB, 1 TELECOM PLATE KNOCKOUTS, UNDERMOUNT CIRCUIT 1, CORDED UNIT	SILVER	OAM-UT-U-4-1-S
	BLACK	OAM-UT-U-4-1-B
	WHITE	OAM-UT-U-4-1-GW
	BRONZE	OAM-UT-U-4-1-Z
	LATTE	OAM-UT-U-4-1-L
	CARBON	OAM-UT-U-4-1-C

"BUILD YOUR OWN" INSERT CONFIGURATIONS AVAILABLE UPON REQUEST. CONTACT CUSTOMER SERVICE FOR CUSTOMIZATION DETAILS

CHANGE 4-1 TO 4-2 IN PART NUMBER TO SPECIFY CIRCUIT 2 CONFIGURATIONS

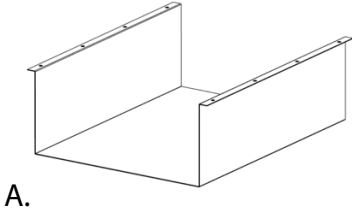
TELECOM PLATES SOLD SEPARATELY

LID AND TRIM KITS FOR UT VERSIONS SOLD SEPARATELY

CALL FOR PRICING

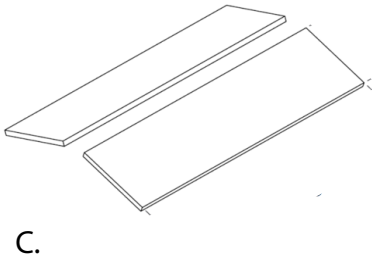
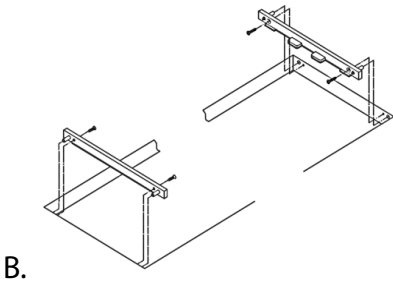
MOUNTING ACCESSORIES

OUTERPAN ACCESSORY (OPTIONAL):



	DESCRIPTION	FINISH	PART NUMBER
A.	Oasis™ Mini Outerpan - conceals underside of 15" Oasis Mini Trough	Silver	OASIS-MINI PANS
		Black	OASIS-MINI PANB

OASIS™ MINI UT LID & TRIM PIVOT KIT (OPTIONAL):



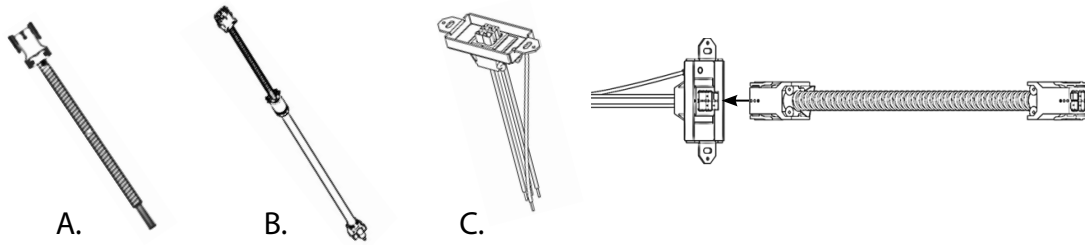
	DESCRIPTION	FINISH	PART NUMBER
B.	Trim Pivot Kit - components for glass lid assembly for Oasis™ Mini UT Versions Only <i>(can be used alone, with custom lid, or provided lid options)</i>	Brushed Aluminum	OASIS UT LPA*
C.	Lid Pivot Kit - Set of 2 glass lids to be used with Trim Pivot Kit	Frosted Glass	OASISMINI UTLG2*

*BOTH PART NUMBERS ARE REQUIRED FOR COMPLETE OASIS™ MINI UT LID ASSEMBLY

DaisyLink™ components on following page...

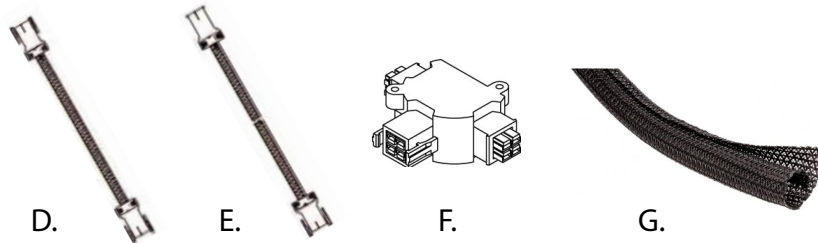
DAISYLINK™ COMPONENTS

SELECT YOUR STARTER INFEED OPTION:



DESCRIPTION	LENGTH/FINISH	PART NUMBER
A. Hardwired multi-circuit starter infeed with female DaisyLink™ connector; hardwires into electrical junction box *Specify in increments of 1" Cable Lengths in Part Number	12" Min - 180" Max	42 SB2-XXX*
B. Molded 3-prong plug single-circuit starter power infeed with female DaisyLink™ connector; plugs directly into wall or floor outlet	72"	42 20AP1-72
C. Quick Disconnect multi-circuit wall/floor insert with male DaisyLink™ connector; wires into junction box to accept female DaisyLink™ interconnecting cable (To be used with 42 FF-XXX interconnecting cable - see below)	Black	42 QD Insert

CHOOSE YOUR INTERCONNECTING CABLES:



DESCRIPTION	LENGTH/FINISH	PART NUMBER
D. Female/Female Interconnecting Cable *Specify in increments of 1" Cable Lengths in Part Number	12" Min - 180" Max	42 FF-XXX*
E. Female/Male Interconnecting Cable *Specify in increments of 1" Cable Lengths in Part Number	12" Min - 180" Max	42 FM-XXX*
F. T-Connector used to branch cabling in different directions; 2 male and 1 female endings	Black	Daisy T
G. Nylon Black Cable Covers - Add "B" to cabling part number	Black	Cable Covers "B"

TO LEARN HOW TO CONFIGURE AND ASSEMBLE A 4 WIRE 2 CIRCUIT SYSTEM, SEE DAISYLINK™ SYSTEM LITERATURE FOR DETAILS - OR CONTACT OUR KNOWLEDGEABLE CUSTOMER SERVICE TEAM FOR ADDITIONAL SUPPORT