



# POWER SLIP™

HEIGHT ADJUSTABLE TABLE KITS



POWER THAT  
MOVES WITH  
YOU.

CURATED KITS FOR HEIGHT ADJUSTABLE TABLES.

Get cord clutter out of the picture with Power Slip™ Height Adjustable Table Kits. Equipped with a sub-surface wire management basket and flush-mounted grommet lid, users have ample cord management options above and below the surface. Power, USB and data capabilities can extend across conjoining sit-to-stand applications utilizing the pre-configured DaisyLink Cable Kit components. In three simple steps, all necessary components to outfit your specific table lengths and requirements are provided.



**FEATURES:**

Mounting Capabilities  
Under-mount

Applications  
Height Adjustable Tables

Standard Grommet Finishes

- Silver
- Black (Textured Finish)
- White
- Bronze
- Latte
- Carbon



**UNIT SPECIFICATIONS:**

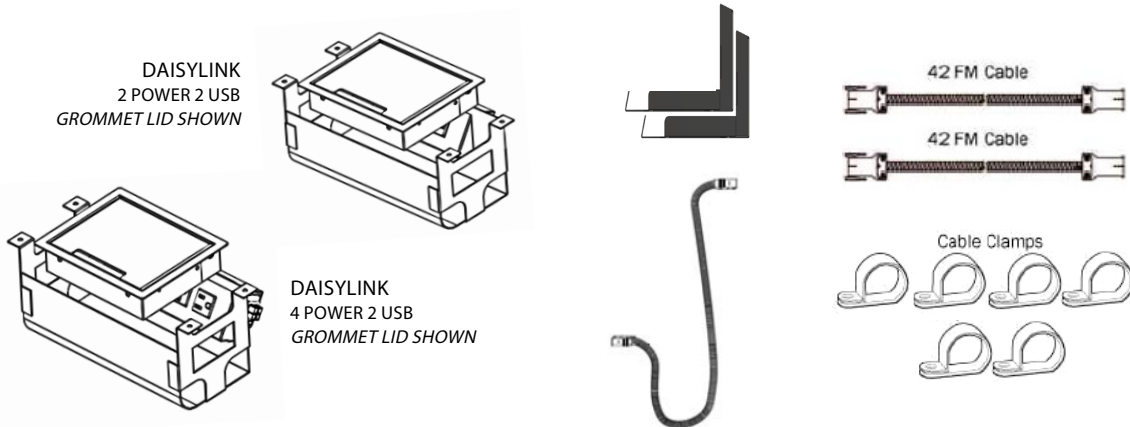
- 15A/120V AC Receptacles
- 2.1A/5V Shared; Dual USB Charging Ports
- Customizable Telecom Plate Knockouts (*Plates Purchased Separately*)
- Used with 4 Wire 2 Circuit Starter and Interconnecting Cables (*Starters Purchased Separately*)
- Circuit 1 and 2 Options - Link Up-to 40 Receptacles Across 2 Circuits (*US Only*)
- Grommet Accessory & Mounting Hardware Included with Purchase of Power Slip™ Unit
- ETL Listed for US and Canada

**CABLE KIT SPECIFICATIONS:**

- Height Adjustable Table Sizes: 48", 54", 60", 66", 72", 84", 96"
- Kit Includes:
  - » 2 Female/Male Interconnecting Cables
  - » 1 Loop Cable
  - » 2 "L" Brackets
  - » Cable Clamps and Screws

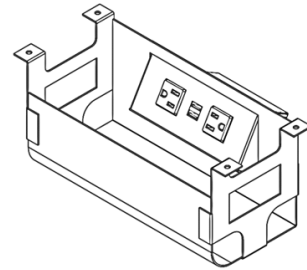
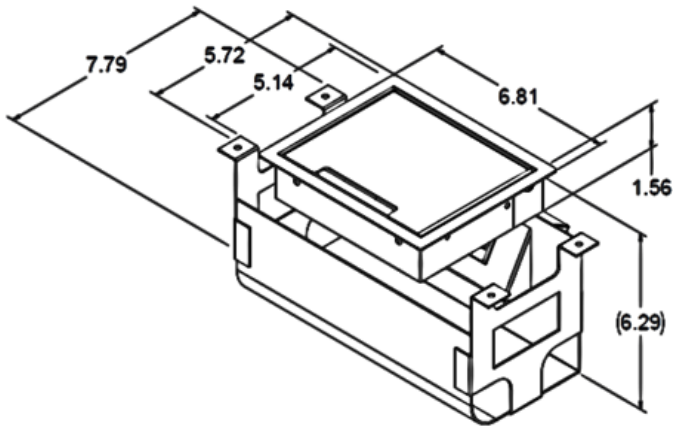
**HEIGHT ADJUSTABLE TABLE KIT COMPONENTS**

*UNIT PURCHASED SEPARATELY; REFER TO HAT TABLE KIT CHART PAGE FOR DETAILS*

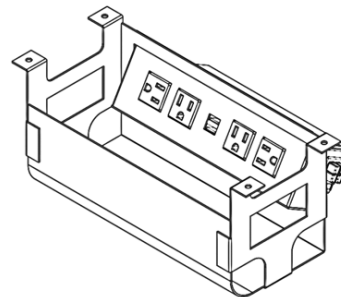
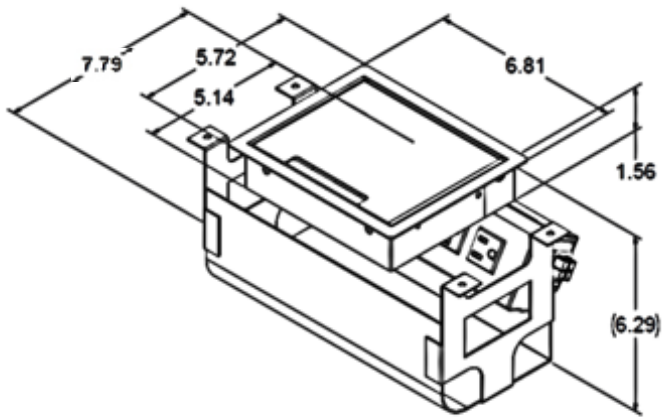


Series dimensions on following page...

POWER SLIP | POWER, USB & DATA



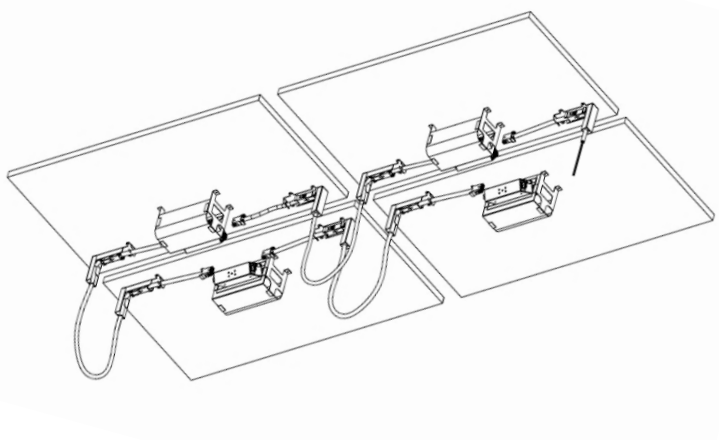
- 2 RECEPTACLES
- DUAL USB PORT
- 2 TELECOM PLATE KNOCKOUTS
- GROMMET LID



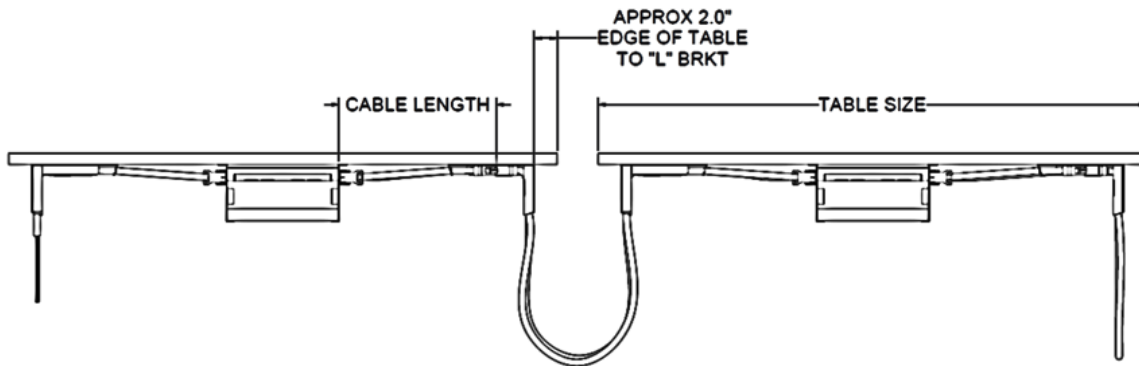
- 4 RECEPTACLES
- DUAL USB PORT
- 2 TELECOM PLATE KNOCKOUTS
- GROMMET LID

Ordering information on following page...

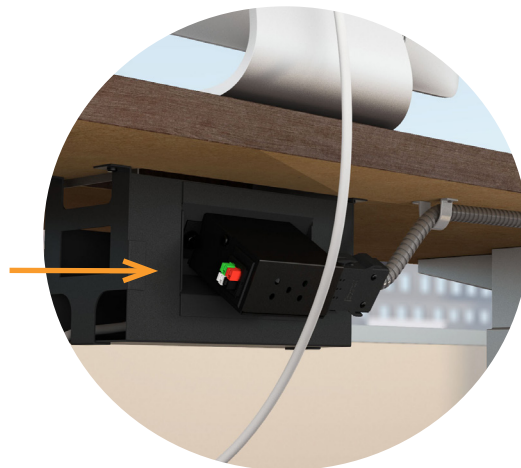
HEIGHT ADJUSTABLE TABLE KITS			
TABLE SIZE	FM CABLE LENGTH	FM CABLE LENGTH	LOOP CABLE
48"	FM-13"	FM-13"	48"
54"	FM-16"	FM-16"	48"
60"	FM-19"	FM-19"	48"
66"	FM-22"	FM-22"	48"
72"	FM-25"	FM-25"	48"
84"	FM-31"	FM-31"	48"
96"	FM-37"	FM-37"	48"



Shown Above:  
Four Power Slip units connected across four height adjustable table applications.



NOTE:  
All DaisyLink™ products come equipped with male-end connectors (Male ends extend outward)



Ordering information on following page...

## HEIGHT ADJUSTABLE TABLE KITS

(COMPLETE KIT WITH STEPS 1-3)

### STEP 1: CHOOSE YOUR POWER

	FINISH	PRODUCT NUMBER
<b>TWO POWER</b>		
2 POWER, 1 DUAL USB, 2 TELECOM PLATE KNOCKOUTS, CIRCUIT 1, CORDED UNIT	SILVER	PS-41-2U-S
	BLACK	PS-41-2U-B
	WHITE	PS-41-2U-GW
	BRONZE	PS-41-2U-Z
	LATTE	PS-41-2U-L
	CARBON	PS-41-2U-C
	BRUSHED ALUMINIUM	PS-41-2U-AL
<b>FOUR POWER</b>		
4 POWER, 1 DUAL USB, 2 TELECOM PLATE KNOCKOUTS, CIRCUIT 1, CORDED UNIT	SILVER	PS-41-4U-S
	BLACK	PS-41-4U-B
	WHITE	PS-41-4U-GW
	BRONZE	PS-41-4U-Z
	LATTE	PS-41-4U-L
	CARBON	PS-41-4U-C
	BRUSHED ALUMINIUM	PS-41-4U-AL

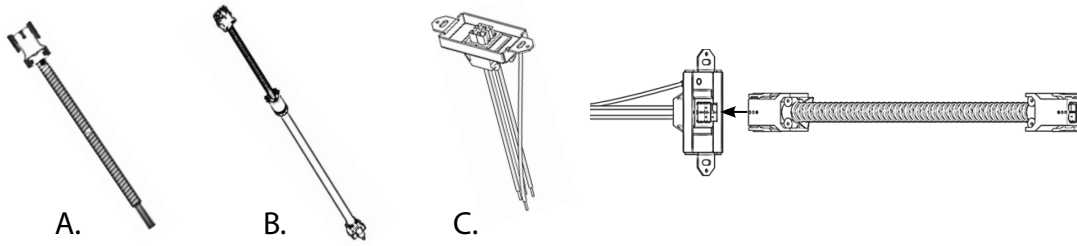
CHANGE -41 TO -42 TO SPECIFY CIRCUIT 2 CONFIGURATIONS  
 TELECOM PLATES SOLD SEPARATELY  
 CALL FOR PRICING

### STEP 2: SELECT YOUR HAT CABLE KIT

TABLE LENGTH	
48"	HAT42-CAB-48K
54"	HAT42-CAB-54K
60"	HAT42-CAB-60K
66"	HAT42-CAB-66K
72"	HAT42-CAB-72K
84"	HAT42-CAB-84K
96"	HAT42-CAB-96K

Step 3: Starter Infeeds and data knockout options on following page...

STEP 3: SELECT YOUR STARTER INFEED OPTION

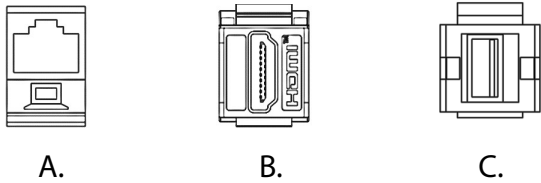


DESCRIPTION	FINISH/ LENGTH	PART NUMBER
A. Hardwired multi-circuit starter infeed with female DaisyLink™ connector; hardwires into electrical junction box *Specify in increments of 1" Cable Lengths in Part Number	12" Min - 180" Max	42 SB2-XXX*
B. Molded 3-prong plug single-circuit starter power Infeed with female DaisyLink™ connector; plugs directly into wall or floor outlet	72"	42 20AP1-72"
C. Quick Disconnect multi-circuit wall/floor insert with male DaisyLink™ connector; wires into junction box to accept female DaisyLink™ interconnecting cable (To be used with 42 FF-XXX interconnecting cable)	Black	42 QD INSERT

TO LEARN HOW TO CONFIGURE AND ASSEMBLE A 4 WIRE 2 CIRCUIT SYSTEM, SEE DAISYLINK™ SYSTEM LITERATURE FOR DETAILS - OR CONTACT OUR KNOWLEDGEABLE CUSTOMER SERVICE TEAM FOR ADDITIONAL SUPPORT

DATA CONNECTORS (OPTIONAL)

SELECT YOUR DATA KNOCKOUT OPTIONS:



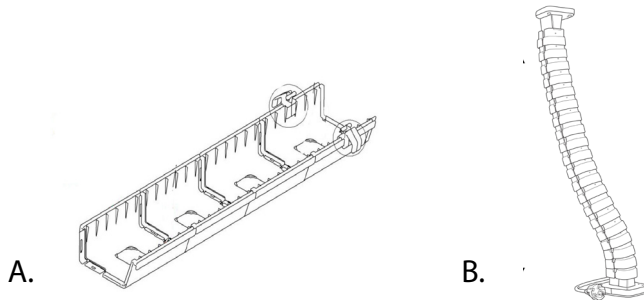
DESCRIPTION	FINISH	PART NUMBER
A. RJ45 cat 6 punch down data jack, <i>Siemon™ brand</i>	Black	RJ45-B
B. HDMI keystone jack, female/female	Black	HDMI-KEY-B
C. USB 2.0 Type-A keystone, female/female	Black White	USB-20AA-B-72K USB-20AA-W-72K

ADDITIONAL DATA OPTIONS AVAILABLE  
PLEASE CONTACT OUR KNOWLEDGEABLE CUSTOMER SERVICE TEAM FOR MORE DETAILS

Wire management add-on accessories on following page...

WIRE MANAGEMENT ACCESSORIES

SELECT YOUR HAT WIRE MANAGER OPTIONS:



DESCRIPTION	FINISH	PART NUMBER
<p>A. Table Trough   <i>Horizontal Wire Manager</i></p> <ul style="list-style-type: none"> <li>Includes 5 Linkable Trough Sections (assembles to custom lengths in 8" Increments); 1 Fold Fastening Set; 2 End Caps (Screws Not Included)</li> </ul>	<p>Black Silver</p>	<p>TBL-TROUGH-B TBL-TROUGH-S</p>
<p>B. Snake   <i>Vertical Wire Manager</i></p> <ul style="list-style-type: none"> <li>Works in Unison with Table Trough - Installs Into Trough Openings; Adjacent to or as an Individual Accessory</li> </ul>	<p>Black Silver White</p>	<p>SNAKE-BL SNAKE-S SNAKE-W</p>

