



REEF™ SERIES DAISYLINK™



TRAILBLAZER OF COMMUNAL SPACES

MODULAR CONNECTIVITY FOR CONFERENCING APPLICATIONS

Don't be fooled. Reef offers a lot more than what meets the eye. Concealed in a tucked away compartment lies accessible power, data and customizable telecom options perfect for collaborative spaces. And with the 4 Wire 2 Circuit DaisyLink System, you can link together multiple units across a multitude of work surfaces from one power infeed for streamlined integration.



FEATURES

Mounting Capabilities
Bezel/In-Surface

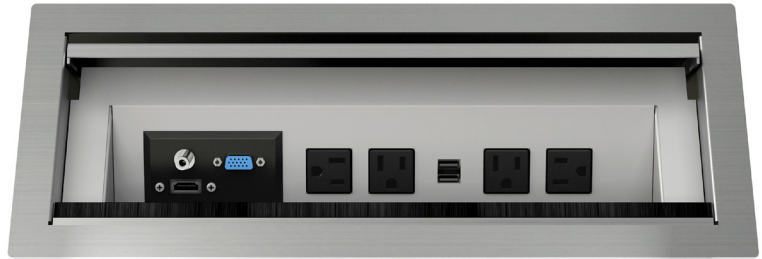
Applications
Conference/Meeting
Collaborative Spaces

Standard Finishes*

Silver
Black (Textured Finish)
White
Brushed Aluminum
Bronze
Latte
Carbon



*Interested in our specialty finishes? Contact us for details.

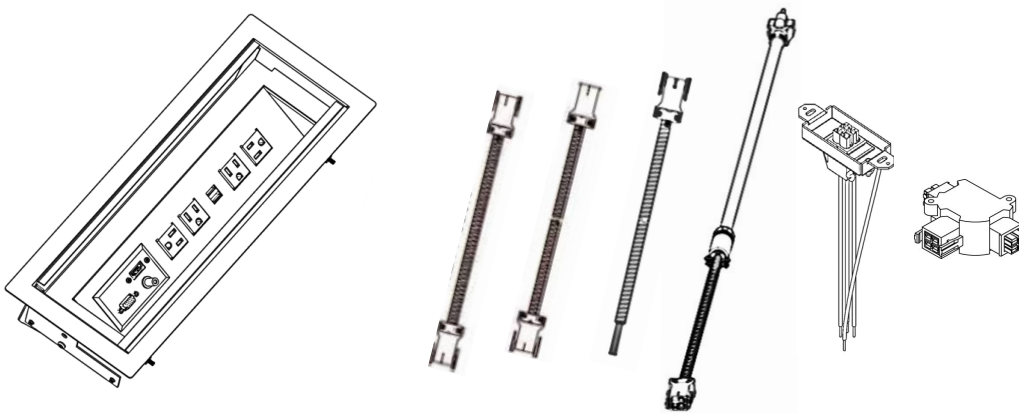


REEF SPECIFICATIONS

- 15A/120V AC Spill-Resistant Receptacles
- 2A/5V Shared; Dual USB Ports
- Customizable Telecom Plate Knockout (*Plate Purchased Separately*)
- Data Knockouts (*Keystone Data Options Available; Purchased Separately*)
- Cord Pass Thru's for Cord Management
- Used with 4 Wire 2 Circuit Starter and Interconnecting Cables (Purchased Separately)
- Hardwire Starter & Interconnecting Cable Lengths: Minimum 12" - 180" Maximum (Specify in 1" Increments)
- Circuit 1 and 2 Options - Link Up-to 40 Receptacles Across 2 Circuits (US Only)
- Fits Surface Thicknesses: 1.0" - 2.0"
- Surface Cutout: 5.38" x 15.25" (*See Install Sheet for Additional Required Undercut Instructions*)
- ETL Listed for US and Canada

DAISYLINK™ COMPONENTS

REFER TO DAISYLINK™ COMPONENTS PAGE IN ORDERING INFORMATION FOR DETAILS



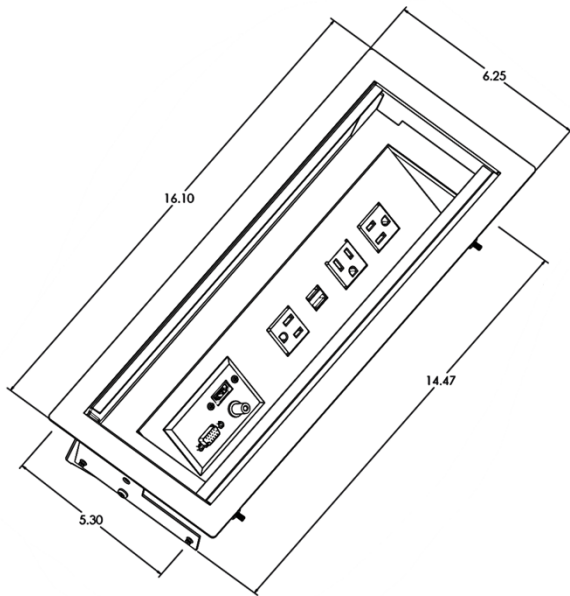
Mounting capabilities on following page...

In-Surface/Bezel (Featured to the right) -

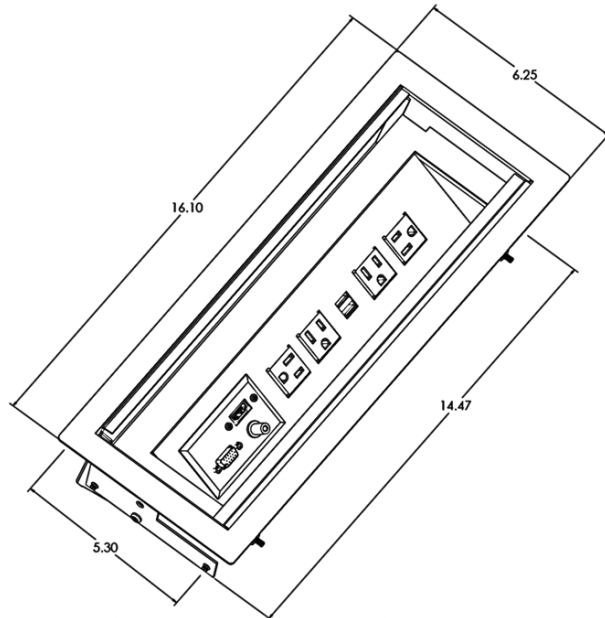
- Easily integrate Reef directly into the surface cut-out. This model comes standardly equipped with a clever retractable lid that keeps wires and cables organized and out of sight. When closed, the unit sits nearly flush to the surface for an overall aesthetic finish.



PRODUCT DIMENSIONS



- 3 RECEPTACLES
- DUAL USB-A PORTS
- 2 DATA KNOCKOUTS
- 1 TELECOM PLATE KNOCKOUT



- 4 RECEPTACLES
- DUAL USB-A PORTS
- 2 DATA KNOCKOUTS
- 1 TELECOM PLATE KNOCKOUT

Ordering information on following page...

REEF DAISYLINK™ CONFIGURATIONS

THREE POWER

3 POWER, 1 DUAL USB, 2 DATA KNOCKOUTS, 1 TELECOM PLATE KNOCKOUT, CIRCUIT 1, CORDED UNIT

FINISH

SILVER
BLACK
WHITE
BRONZE
LATTE
CARBON
BRUSHED ALUMINIUM

PRODUCT NUMBER

REF-4-1-3U-S
REF-4-1-3U-B
REF-4-1-3U-GW
REF-4-1-3U-Z
REF-4-1-3U-L
REF-4-1-3U-C
REF-4-1-3U-AL

FOUR POWER

4 POWER, 1 DUAL USB, 2 DATA KNOCKOUTS, 1 TELECOM PLATE KNOCKOUT, CIRCUIT 1, CORDED UNIT

SILVER
BLACK
WHITE
BRONZE
LATTE
CARBON
BRUSHED ALUMINIUM

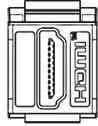
REF-4-1-4U-S
REF-4-1-4U-B
REF-4-1-4U-GW
REF-4-1-4U-Z
REF-4-1-4U-L
REF-4-1-4U-C
REF-4-1-4U-AL

CHANGE 4-1 TO 4-2 IN PART NUMBER TO SPECIFY CIRCUIT 2 CONFIGURATIONS
TELECOM PLATES SOLD SEPARATELY
DATA KNOCKOUT OPTIONS SOLD SEPARATELY; SEE OPTIONS BELOW FOR PURCHASE
CALL FOR PRICING

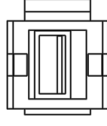
SELECT YOUR DATA KNOCKOUT OPTIONS:



A.



B.



C.

DESCRIPTION

FINISH

PART NUMBER

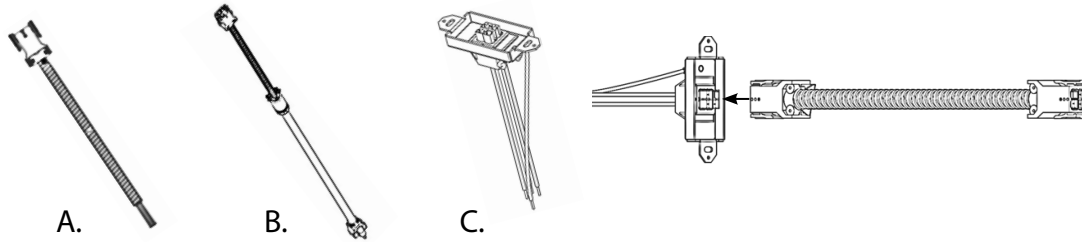
A.	RJ45 cat 6 punch down data jack; <i>Siemon™ brand</i>	Black	RJ45-B
B.	HDMI keystone jack, female/female	Black	HDMI-KEY-B
C.	USB 2.0 Type-A keystone, female/female	Black White	USB-20AA-B-72K USB-20AA-W-72K

ADDITIONAL DATA OPTIONS AVAILABLE
PLEASE CONTACT OUR KNOWLEDGEABLE CUSTOMER SERVICE TEAM FOR MORE DETAILS

DaisyLink™ components on following page...

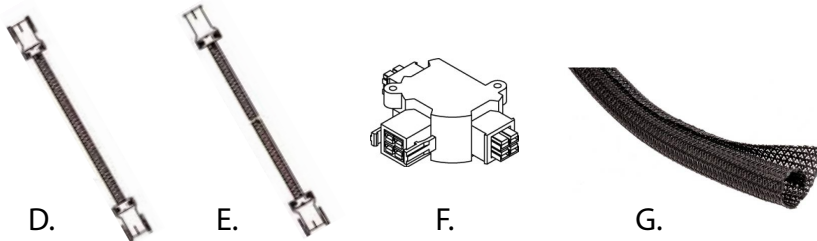
DAISYLINK™ COMPONENTS

SELECT YOUR STARTER INFEED OPTION:



DESCRIPTION	LENGTH/FINISH	PART NUMBER
A. Hardwired multi-circuit starter infeed with female DaisyLink™ connector; hardwires into electrical junction box *Specify in increments of 1" Cable Lengths in Part Number	12" Min - 180" Max	42 SB2-XXX*
B. Molded 3-prong plug single-circuit starter power Infeed with female DaisyLink™ connector; plugs directly into wall or floor outlet	72"	42 20AP1-72"
C. Quick Disconnect multi-circuit wall/floor insert with male DaisyLink™ connector; wires into junction box to accept female DaisyLink™ interconnecting cable (To be used with 42 FF-XXX interconnecting cable - see below)	Black	42 QD INSERT

CHOOSE YOUR INTERCONNECTING CABLES:



DESCRIPTION	LENGTH/FINISH	PART NUMBER
D. Female/Female Interconnecting Cable *Specify in increments of 1" Cable Lengths in Part Number	12" Min - 180" Max	42 FF-XXX*
E. Female/Male Interconnecting Cable *Specify in increments of 1" Cable Lengths in Part Number	12" Min - 180" Max	42 FM-XXX*
F. T-Connector used to branch cabling in different directions; 2 male and 1 female endings	Black	DAISYT
G. Nylon Black Cable Covers - Add "B" to cabling part number	Black	Cable Covers "B"

TO LEARN HOW TO CONFIGURE AND ASSEMBLE A 4 WIRE 2 CIRCUIT SYSTEM, SEE DAISYLINK™ SYSTEM LITERATURE FOR DETAILS - OR CONTACT OUR KNOWLEDGEABLE CUSTOMER SERVICE TEAM FOR ADDITIONAL SUPPORT