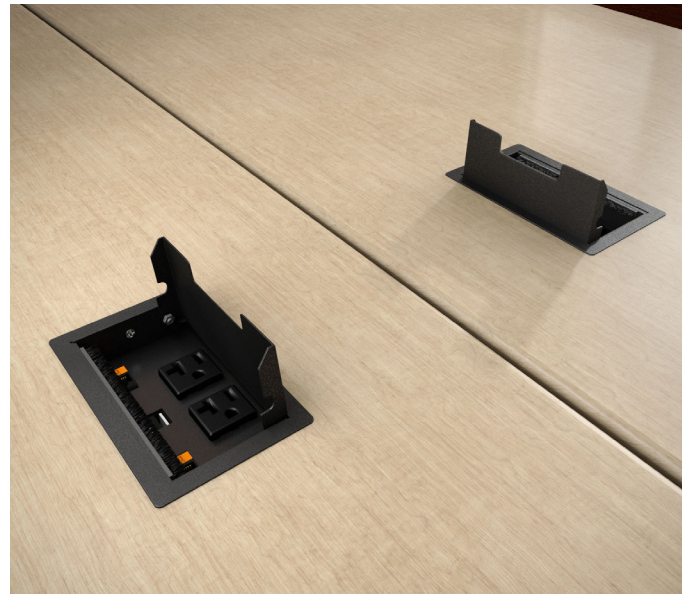




# VILLA™ SERIES

## DAISYLINK™ QUICK KITS



## PRE-CONFIGURED POWER OPTIONS

OUTFITTED FOR YOUR SPECIFIC TABLE REQUIREMENTS.

Villa™ Quick Kits were designed to make specifying easy. One part number provides all the necessary components to outfit popular table lengths. In addition, our assortment of accessories offer next-level cable management capabilities. As the name implies, installation is quick and easy, so you can reconnect and power-up devices in no time.



**FEATURES:**






Mounting Capabilities  
Bezel /In-Surface

Applications  
Work Surfaces  
Training Tables

Standard Finishes\*

- Silver 
- Black 
- White 

Kit Grommet Finishes  
Flush Lid:

- Silver 
- Black 
- White 
- Brushed Aluminum 
- Brushed Stainless Steel 

Lift Lid:

- Silver 
- Black 
- White 

\*Interested in our specialty finishes?  
Contact us for details.

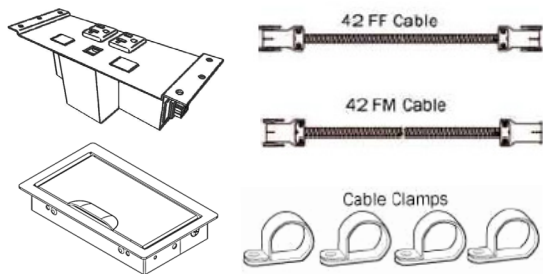
**UNIT SPECIFICATIONS:**

- 20A/120V AC Receptacles (*Choice of 2 Power Configurations*)
- 2.1A/5V Shared; Dual USB Charging Ports (*Optional*)
- Data Knockouts (*Units Offered With or Without RJ45 Jacks; Additional Keystone Data Options Available for Purchase*)
- Cable Clamps and Screws Included for Installation
- Used with 4 Wire 2 Circuit Starter and Interconnecting Cables (*Starter Infeed Options Purchased Separately*)
- Hardwire Starter & Interconnecting Cable Lengths: Minimum 12" - 180" Maximum (*Specify in 1" Increments*)
- Circuit 1 and 2 Options - Link Up-to 40 Receptacles Across 2 Circuits (*US Only*)
- ETL Listed for US and Canada

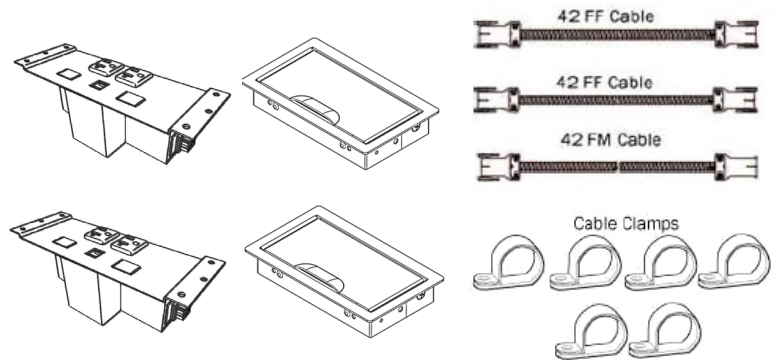
**KIT SPECIFICATIONS:**

- Choice of a Single (1 Unit) or Double (2 Units) Kit
- Single Kit Table Sizes: 36", 42", 48", 54", 60", 66", 72", 84", 96"  
*(See Single Kit Table Chart for Details)*
- Double Kit Table Sizes: 60", 66", 72", 84", 96"  
*(See Double Kit Table Chart for Details)*
- Single Kit Includes: 1 Villa DaisyLink Unit, 1 Villa Grommet (Choice of Flush Lid or Lift Lid), 1 Female/Female and 1 Female/Male Interconnecting Cables, 4 Plastic Cable Clamps and Screws
- Double Kit Includes: 2 Villa DaisyLink Units, 2 Villa Grommets (Choice of Flush or Lift Lids), 2 Female/Female and 1 Female/Male Interconnecting Cables, 6 Plastic Cable Clamps and Screws

SINGLE KIT COMPONENTS

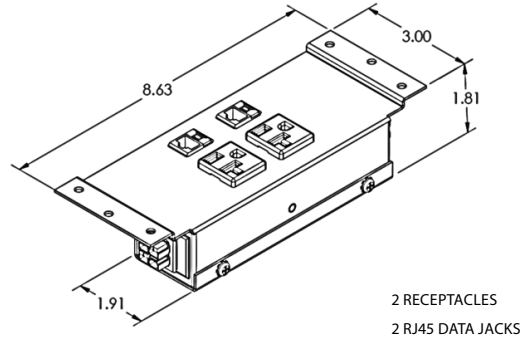
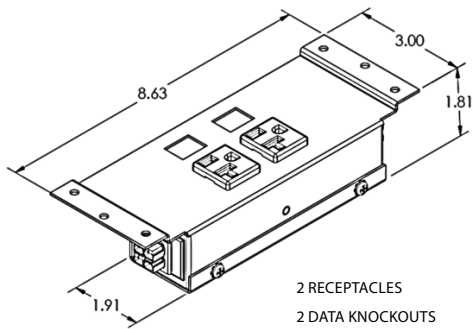


DOUBLE KIT COMPONENTS

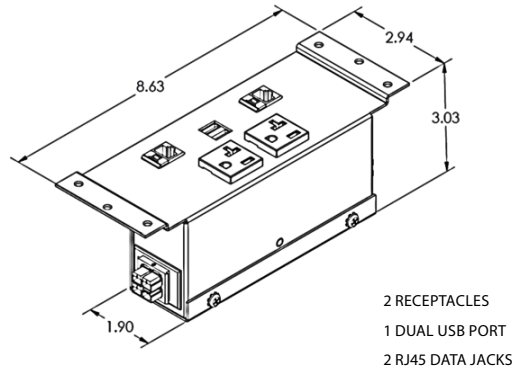
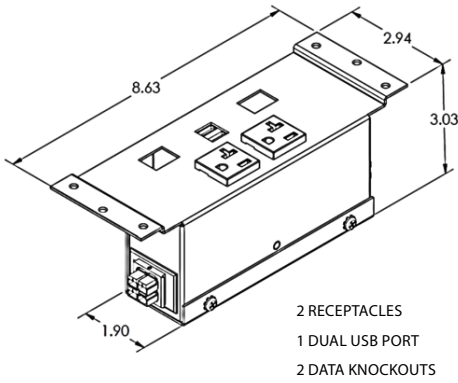


Series dimensions on following page...

VILLA SERIES | POWER & DATA



VILLA SERIES | POWER, USB & DATA



VILLA SERIES | GROMMETS

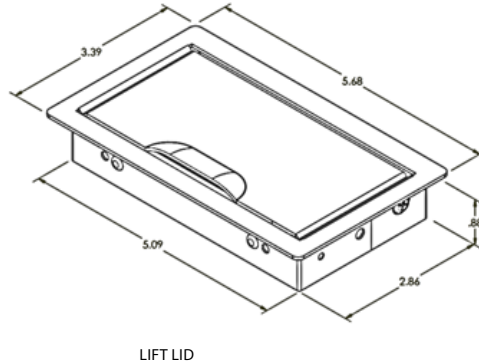
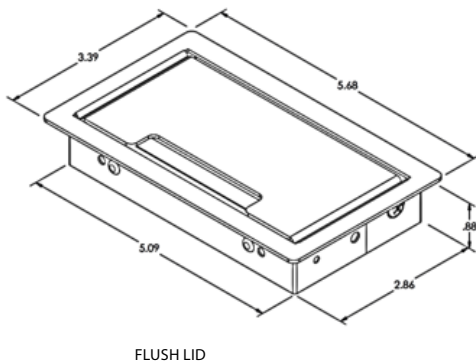
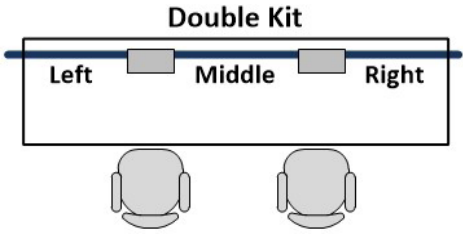
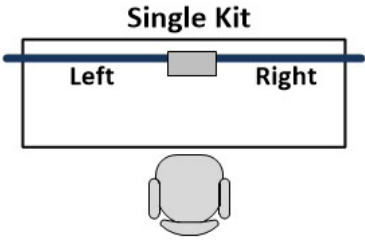


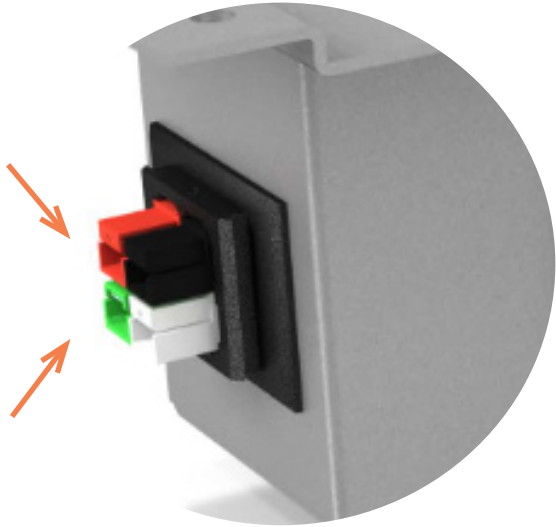
Table kit charts on following page...



SINGLE KITS		
TABLE SIZE	LEFT FM CABLE LENGTH	RIGHT FF CABLE LENGTH
2 POWER WITH DATA & 2 POWER WITH DATA & USB		
36"	FM-15"	FF-15"
42"	FM-18"	FF-18"
48"	FM-21"	FF-21"
54"	FM-24"	FF-24"
60"	FM-27"	FF-27"
66"	FM-30"	FF-30"
72"	FM-33"	FF-33"
84"	FM-39"	FF-39"
96"	FM-45"	FF-45"

DOUBLE KITS			
TABLE SIZE	LEFT FM CABLE LENGTH	MIDDLE FF CABLE LENGTH	RIGHT FF CABLE LENGTH
2 POWER WITH DATA & 2 POWER WITH DATA & USB			
60"	FM-12"	FF-24"	FF-12"
66"	FM-12"	FF-30"	FF-12"
72"	FM-12"	FF-36"	FF-12"
84"	FM-12"	FF-48"	FF-12"
96"	FM-12"	FF-60"	FF-12"

NOTE:  
 All DaisyLink™ products come equipped with male-end connectors  
 (Male ends extend outward)



Ordering information on following page...

DAISYLINK™ QUICK KITS

SELECT YOUR POWER:

POWER RECEPTACLES	DUAL USB PORTS	DATA KNOCKOUT	RJ45 DATA JACK
-------------------	----------------	---------------	----------------

CHOOSE YOUR FINISH:

SILVER	BLACK	WHITE	BRUSHED ALUMINUM	STAINLESS STEEL
--------	-------	-------	------------------	-----------------



FLUSH LID GROMMET

VILLA™ SERIES - FLUSH LID | SINGLE KIT | CIRCUIT 1

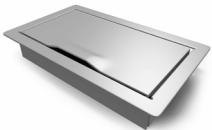
2	-	2	-	VIF-41-DKOS-__K	VIF-41-DKOB-__K	VIF-41-DKOGW-__K	VIF-41-DKOAL-__K	VIF-41-DKOSS-__K
2	-	-	2	VIF-4-1-D-S-__K	VIF-4-1-D-B-__K	VIF-4-1-D-GW-__K	VIF-4-1-D-AL-__K	VIF-4-1-D-SS-__K
2	1	2	-	VIF-41UDKOS-__K	VIF-41UDKOB-__K	VIF-41UDKOGW-__K	VIF-41UDKOAL-__K	VIF-41UDKOSS-__K
2	1	-	2	VIF-41-UDS-__K	VIF-41-USB-__K	VIF-41-UDGW-__K	VIF-41-UDAL-__K	VIF-41-UDSS-__K

\*Replace \_\_ in Single Kit (K) with 36, 42, 48, 54, 60, 66, 72, 84, 96 for specified table length

VILLA™ SERIES - FLUSH LID | DOUBLE KIT | CIRCUIT 1

4	-	4	-	VIF-41-DKOS-__DK	VIF-41-DKOB-__DK	VIF-41-DKOGW-__DK	VIF-41-DKOAL-__DK	VIF-41-DKOSS-__DK
4	-	-	4	VIF-4-1-D-S-__DK	VIF-4-1-D-B-__DK	VIF-4-1-D-GW-__DK	VIF-4-1-D-AL-__DK	VIF-4-1-D-SS-__DK
4	2	4	-	VIF-41UDKOS-__DK	VIF-41UDKOB-__DK	VIF-41UDKOGW-__DK	VIF-41UDKOAL-__DK	VIF-41UDKOSS-__DK
4	2	-	4	VIF-41-UDS-__DK	VIF-41-USB-__DK	VIF-41-UDGW-__DK	VIF-41-UDAL-__DK	VIF-41-UDSS-__DK

\*Replace \_\_ in Double Kit (DK) with 60, 66, 72, 84, 96 for specified table length



LIFT LID GROMMET

VILLA™ SERIES - LIFT LID | SINGLE KIT | CIRCUIT 1

2	-	2	-	VIL-41-DKOS-__K	VIL-41-DKOB-__K	VIL-41-DKOGW-__K	N/A	N/A
2	-	-	2	VIL-4-1-D-S-__K	VIL-4-1-D-B-__K	VIL-4-1-D-GW-__K	N/A	N/A
2	1	2	-	VIL-41UDKOS-__K	VIL-41UDKOB-__K	VIL-41UDKOGW-__K	N/A	N/A
2	1	-	2	VIL-41-UDS-__K	VIL-41-USB-__K	VIL-41-UDGW-__K	N/A	N/A

\*Replace \_\_ in Single Kit (K) with 36, 42, 48, 54, 60, 66, 72, 84, 96 for specified table length

VILLA™ SERIES - LIFT LID | DOUBLE KIT | CIRCUIT 1

4	-	4	-	VIL-41-DKOS-__DK	VIL-41-DKOB-__DK	VIL-41-DKOGW-__DK	N/A	N/A
4	-	-	4	VIL-4-1-D-S-__DK	VIL-4-1-D-B-__DK	VIL-4-1-D-GW-__DK	N/A	N/A
4	2	4	-	VIL-41UDKOS-__DK	VIL-41UDKOB-__DK	VIL-41UDKOGW-__DK	N/A	N/A
4	2	-	4	VIL-41-UDS-__DK	VIL-41-USB-__DK	VIL-41-UDGW-__DK	N/A	N/A

\*Replace \_\_ in Double Kit (DK) with 60, 66, 72, 84, 96 for specified table length

CHANGE THE -41 TO -42 TO SPECIFY CIRCUIT 2 CONFIGURATIONS  
 DATA KNOCKOUT OPTIONS SOLD SEPARATELY  
 CALL FOR PRICING

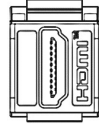
Data knockout options and DaisyLink™ components on following page...

DATA CONNECTORS

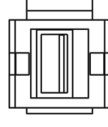
SELECT YOUR DATA KNOCKOUT OPTIONS:



A.



B.



C.

DESCRIPTION	FINISH	PART NUMBER
A. RJ45 cat 6 punch down data jack, <i>Siemon™ brand</i>	Black	RJ45-B
B. HDMI keystone jack, female/female	Black	HDMI-KEY-B
C. USB 2.0 Type-A keystone, female/female	Black White	USB-20AA-B-72K USB-20AA-W-72K

ADDITIONAL DATA OPTIONS AVAILABLE  
PLEASE CONTACT OUR KNOWLEDGEABLE CUSTOMER SERVICE TEAM FOR MORE DETAILS

DAISYLINK™ COMPONENTS

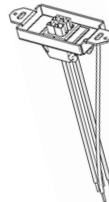
SELECT YOUR STARTER INFEED OPTION:



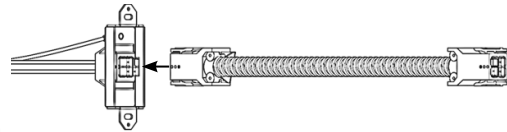
A.



B.



C.



DESCRIPTION	LENGTH/FINISH	PART NUMBER
A. Hardwired multi-circuit starter infeed with female DaisyLink™ connector; hardwires into electrical junction box *Specify in increments of 1" Cable Lengths in Part Number	12" Min - 180" Max	42 SB2-XXX*
B. Molded 3-prong plug single-circuit starter power Infeed with female DaisyLink™ connector; plugs directly into wall or floor outlet	72"	42 20AP1-72
C. Quick Disconnect multi-circuit wall/floor insert with male DaisyLink™ connector; wires into junction box to accept female DaisyLink™ interconnecting cable (To be used with 42 FF-XXX interconnecting cable)	Black	42 QD Insert

TO LEARN HOW TO CONFIGURE AND ASSEMBLE A 4 WIRE 2 CIRCUIT SYSTEM, SEE DAISYLINK™ SYSTEM LITERATURE FOR DETAILS - OR CONTACT OUR KNOWLEDGEABLE CUSTOMER SERVICE TEAM FOR ADDITIONAL SUPPORT