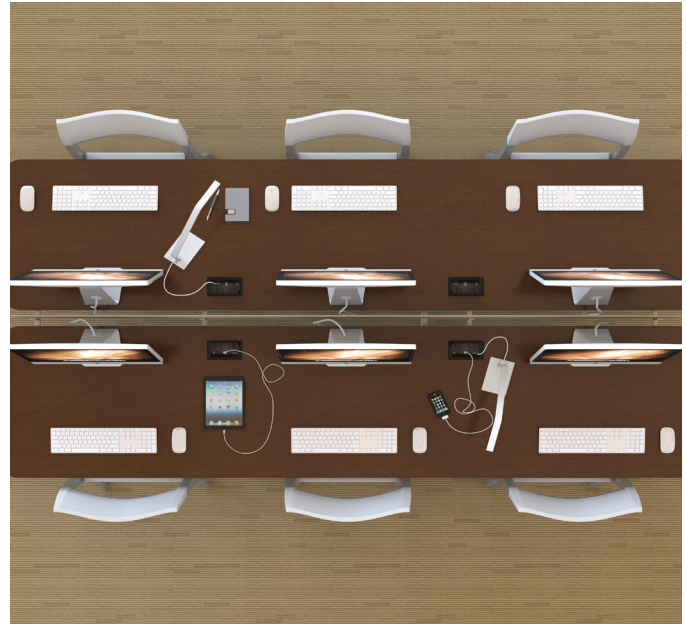




# VILLA™ II SERIES

## DAISYLINK™ QUICK KITS



### PRE-CONFIGURED POWER OPTIONS

### OUTFITTED FOR YOUR SPECIFIC TABLE REQUIREMENTS.

Villa™ II Quick Kits were designed to make specifying easy. One part number provides all the necessary components to outfit popular table lengths. Our assortment of accessory options offers next-level cable management opportunities. As the name implies, installation is quick and easy, so you can reconnect and power-up devices in no time.



**FEATURES:**

Mounting Capabilities  
Bezel /In-Surface

Applications  
Work Station  
Conference  
Collaborative  
Training Table


Standard Finishes\*


Silver 


Black 


White 


Kit Grommet Finishes  
Flush Lid:

Silver 

Black 

White 

Brushed Aluminum 

Brushed Stainless Steel 

Lift Lid:

Silver 

Black 

White 

\*Interested in our specialty finishes?  
Contact us for details.

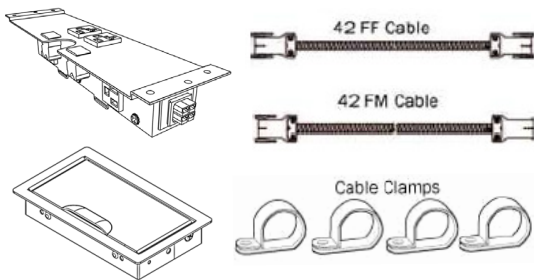
**UNIT SPECIFICATIONS:**

- 20A/120V AC Receptacles (*Controlled Receptacle Options Available; See Ashrae 90.1 & Title 24 Literature for Details*)
- 2.1A/5V Shared; Dual USB Charging Ports (*Optional*)
- Data Knockouts (*Units Offered With or Without RJ45 Jacks; Additional Keystone Data Options Available for Purchase*)
- Mouse Hole for Cord Management
- Used with 4 Wire 2 Circuit Starter and Interconnecting Cables (*Purchased Separately*)
- Hardwire Starter & Interconnecting Cable Lengths: Minimum 12" - 180" Maximum (*Specify in 1" Increments*)
- Circuit 1 and 2 Options - Link Up-to 40 Receptacles Across 2 Circuits (*US Only*)
- Cable Clamps and Screws Included for Installation
- ETL Listed for US and Canada

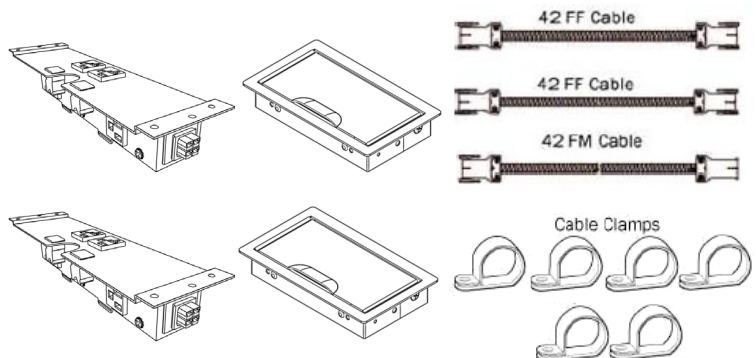
**KIT SPECIFICATIONS:**

- Choice of a Single (1 Unit) or Double (2 Units) Kit
- Single Kit Table Sizes: 36", 42", 48", 54", 60", 66", 72", 84", 96" (*See Single Kit Table Chart for Details*)
- Double Kit Table Sizes: 60", 66", 72", 84", 96" (*See Double Kit Table Chart for Details*)
- Single Kit Includes: 1 Villa II DaisyLink Unit, 1 Villa Grommet (Choice of Flush Lid or Lift Lid), 1 Female/Female and 1 Female/Male Interconnecting Cables, 4 Plastic Cable Clamps and Screws
- Double Kit Includes: 2 Villa II DaisyLink Units, 2 Villa Grommets (Choice of Flush or Lift Lids), 2 Female/Female and 1 Female/Male Interconnecting Cables, 6 Plastic Cable Clamps and Screws

**SINGLE KIT COMPONENTS**

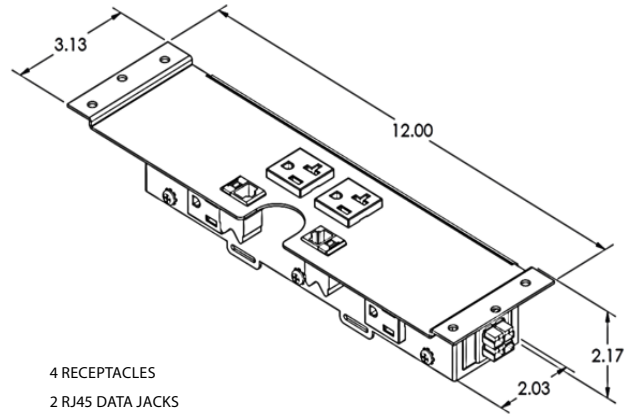
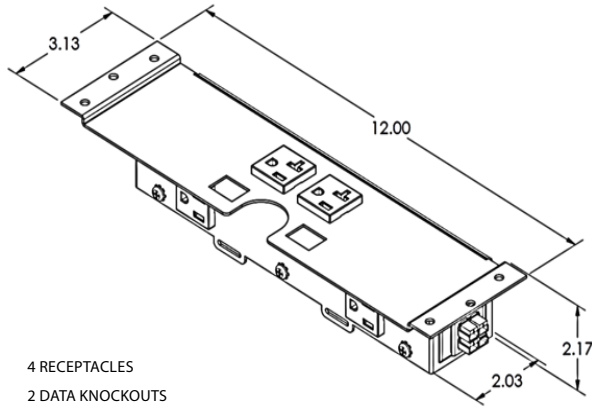


**DOUBLE KIT COMPONENTS**

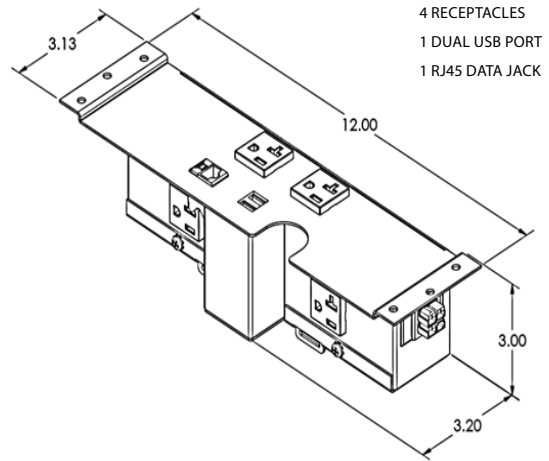
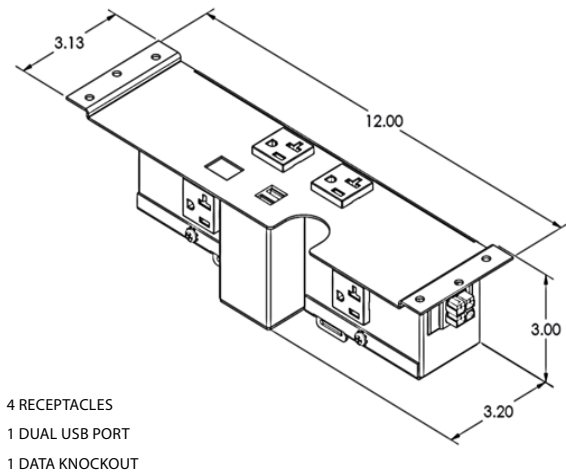


Series dimensions on following page...

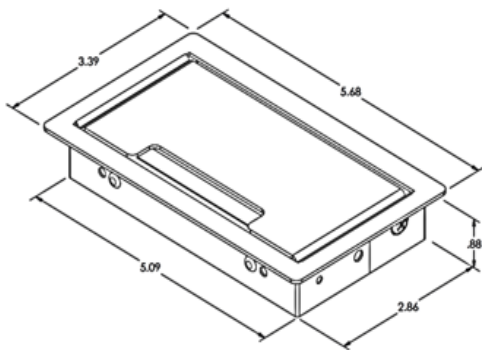
VILLA II SERIES | POWER & DATA



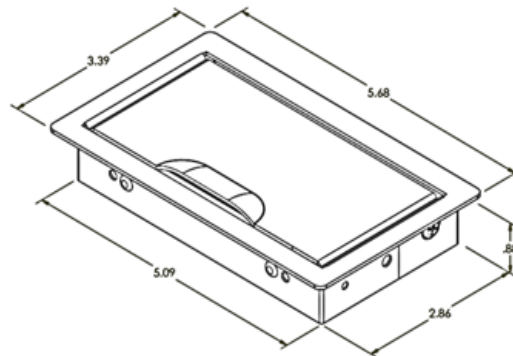
VILLA II SERIES | POWER, USB & DATA



VILLA SERIES | GROMMETS

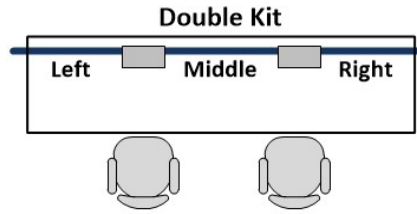
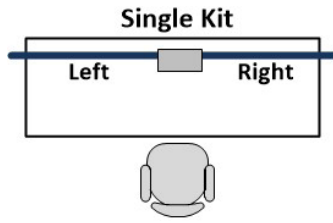


FLUSH LID



LIFT LID

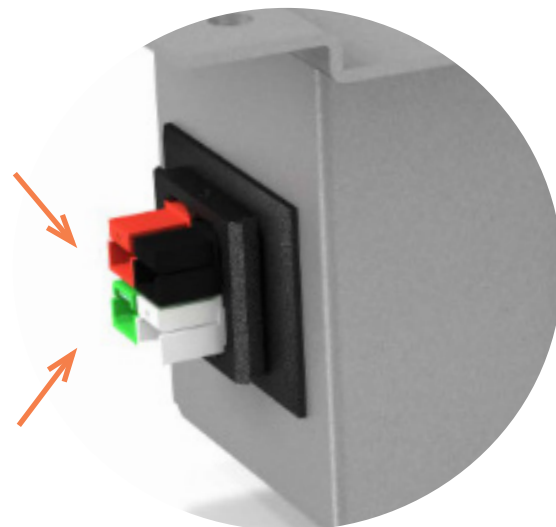
Table kit charts on following page...



SINGLE KITS		
TABLE SIZE	LEFT FM CABLE LENGTH	RIGHT FF CABLE LENGTH
4 POWER WITH DATA & 4 POWER WITH DATA & USB		
36"	FM-15"	FF-15"
42"	FM-18"	FF-18"
48"	FM-19"	FF-19"
54"	FM-24"	FF-24"
60"	FM-21"	FF-21"
66"	FM-27"	FF-27"
72"	FM-30"	FF-30"
84"	FM-39"	FF-39"
96"	FM-45"	FF-45"

DOUBLE KITS			
TABLE SIZE	LEFT FM CABLE LENGTH	MIDDLE FF CABLE LENGTH	RIGHT FF CABLE LENGTH
4 POWER WITH DATA & 4 POWER WITH DATA & USB			
60"	FM-12"	FF-24"	FF-12"
66"	FM-12"	FF-30"	FF-12"
72"	FM-12"	FF-36"	FF-12"
84"	FM-12"	FF-48"	FF-12"
96"	FM-12"	FF-60"	FF-12"

NOTE:  
 All DaisyLink™ products come equipped with male-end connectors  
 (Male ends extend outward)



Ordering information on following page...

DAISYLINK™ QUICK KITS

SELECT YOUR POWER:

CHOOSE YOUR FINISH:

POWER RECEPTACLES	DUAL USB PORTS	DATA KNOCKOUT	RJ45 DATA JACK
-------------------	----------------	---------------	----------------

SILVER

BLACK

WHITE

BRUSHED ALUMINUM

STAINLESS STEEL



FLUSH LID GROMMET

VILLA™ II SERIES - FLUSH LID | SINGLE KIT | CIRCUIT 1

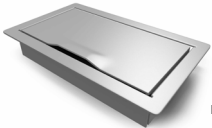
4	-	2	-	VIF2-41-DKOS__K	VIF2-41-DKOB__K	VIF2-41-DKOW__K	VIF2-41-DKOAL__K	VIF2-41-DKOSS__K
4	-	-	2	VIF2-41-D-S__K	VIF2-41-D-B__K	VIF2-41-D-W__K	VIF2-41-D-AL__K	VIF2-41-D-SS__K
4	1	1	-	VIF2U-41DKOS__K	VIF2U-41DKOB__K	VIF2U-41DKOGW__K	VIF2U-41DKOAL__K	VIF2U-41DKOSS__K
4	1	-	1	VIF2U-41-D-S__K	VIF2U-41-D-B__K	VIF2U-41-D-GW__K	VIF2U-41-D-AL__K	VIF2U-41-D-SS__K

\*Replace \_\_ in Single Kit (K) with 36, 42, 48, 54, 60, 66, 72, 84, 96 for specified table length

VILLA™ II SERIES - FLUSH LID | DOUBLE KIT | CIRCUIT 1

8	-	4	-	VIF2-41-DKOS__DK	VIF2-41-DKOB__DK	VIF2-41-DKOW__DK	VIF2-41-DKOAL__DK	VIF2-41-DKOSS__DK
8	-	-	4	VIF2-41-D-S__DK	VIF2-41-D-B__DK	VIF2-41-D-W__DK	VIF2-41-D-AL__DK	VIF2-41-D-SS__DK
8	2	2	-	VIF2U-41DKOS__DK	VIF2U-41DKOB__DK	VIF2U-41DKOGW__DK	VIF2U-41DKOAL__DK	VIF2U-41DKOSS__DK
8	2	-	2	VIF2U-41-D-S__DK	VIF2U-41-D-B__DK	VIF2U-41-D-GW__DK	VIF2U-41-D-AL__DK	VIF2U-41-D-SS__DK

\*Replace \_\_ in Double Kit (DK) with 60, 66, 72, 84, 96 for specified table length



LIFT LID GROMMET

VILLA™ II SERIES - LIFT LID | SINGLE KIT | CIRCUIT 1

4	-	2	-	VIL2-41-DKOS__K	VIL2-41-DKOB__K	VIL2-41-DKOW__K	N/A	N/A
4	-	-	2	VIL2-41-D-S__K	VIL2-41-D-B__K	VIL2-41-D-W__K	N/A	N/A
4	1	1	-	VIL2U-41DKOS__K	VIL2U-41DKOB__K	VIL2U-41DKOGW__K	N/A	N/A
4	1	-	1	VIL2U-41-D-S__K	VIL2U-41-D-B__K	VIL2U-41-D-GW__K	N/A	N/A

\*Replace \_\_ in Single Kit (K) with 36, 42, 48, 54, 60, 66, 72, 84, 96 for specified table length

VILLA™ II SERIES - LIFT LID | DOUBLE KIT | CIRCUIT 1

8	-	4	-	VIL2-41-DKOS__DK	VIL2-41-DKOB__DK	VIL2-41-DKOW__DK	N/A	N/A
8	-	-	4	VIL2-41-D-S__DK	VIL2-41-D-B__DK	VIL2-41-D-W__DK	N/A	N/A
8	2	2	-	VIL2U-41DKOS__DK	VIL2U-41DKOB__DK	VIL2U-41DKOGW__DK	N/A	N/A
8	2	-	2	VIL2U-41-D-S__DK	VIL2U-41-D-B__DK	VIL2U-41-D-GW__DK	N/A	N/A

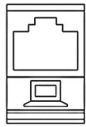
\*Replace \_\_ in Double Kit (DK) with 60, 66, 72, 84, 96 for specified table length

CHANGE THE -41 TO -42 TO SPECIFY CIRCUIT 2 CONFIGURATIONS  
 DATA KNOCKOUT OPTIONS SOLD SEPARATELY  
 CALL FOR PRICING

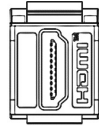
Data knockout options and Daisylink™ components on following page...

DATA CONNECTORS

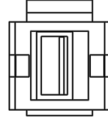
SELECT YOUR DATA KNOCKOUT OPTIONS:



A.



B.



C.

DESCRIPTION	FINISH	PART NUMBER
A. RJ45 cat 6 punch down data jack, <i>Siemon™</i> brand	Black	RJ45-B
B. HDMI keystone jack, female/female	Black	HDMI-KEY-B
C. USB 2.0 Type-A keystone, female/female	Black White	USB-20AA-B-72K USB-20AA-W-72K

ADDITIONAL DATA OPTIONS AVAILABLE  
PLEASE CONTACT OUR KNOWLEDGEABLE CUSTOMER SERVICE TEAM FOR MORE DETAILS

DAISYLINK™ COMPONENTS

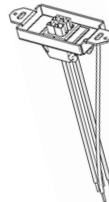
SELECT YOUR STARTER INFEED OPTION:



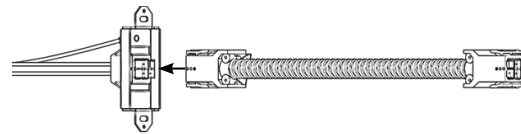
A.



B.



C.



DESCRIPTION	LENGTH/FINISH	PART NUMBER
A. Hardwired multi-circuit starter infeed with female DaisyLink™ connector; hardwires into electrical junction box *Specify in increments of 1" Cable Lengths in Part Number	12" Min - 180" Max	42 SB2-XXX*
B. Molded 3-prong plug single-circuit starter power Infeed with female DaisyLink™ connector; plugs directly into wall or floor outlet	72"	42 20AP1-72
C. Quick Disconnect multi-circuit wall/floor insert with male DaisyLink™ connector; wires into junction box to accept female DaisyLink™ interconnecting cable (To be used with 42 FF-XXX interconnecting cable)	Black	42 QD Insert

TO LEARN HOW TO CONFIGURE AND ASSEMBLE A 4 WIRE 2 CIRCUIT SYSTEM, SEE DAISYLINK™ SYSTEM LITERATURE FOR DETAILS - OR CONTACT OUR KNOWLEDGEABLE CUSTOMER SERVICE TEAM FOR ADDITIONAL SUPPORT