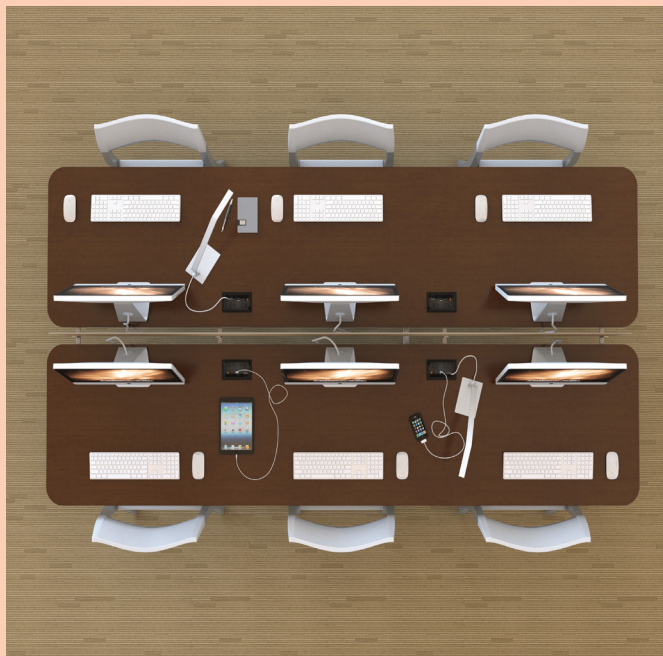




VILLA™ II SERIES

DAISYLINK™



EXTENSIVE CAPABILITIES

ONE COMPACT SOLUTION

DAISY-CHAIN CONNECTIVITY

Daisylink™ expands upon the already extensive power, USB, and data capabilities of Villa™ II Series. The non-sequential 4 wire 2 circuit electrical system allows units to daisy-chain in any arrangement - from a single infeed. With multi-user connectivity and integrated cord management for above and below the surface, workspaces can flourish in productivity with ample power supply within arm's reach.



FEATURES:

Mounting Capabilities

Bezel /In-Surface

Applications

Work Station
 Conference
 Collaborative
 Training Table

Standard Finishes*

- Silver
- Black (Textured Finish)
- White

Grommet Finishes

Flush Lid & No-Lid Styles:

- Silver
- Black
- White
- Brushed Aluminum
- Brushed Stainless Steel

Lift Lid Style:

- Silver
- Black
- Gloss White

*Interested in our specialty finishes?
 Contact us for details.



UNIT SPECIFICATIONS:

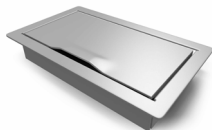
- 20A/120V AC Tamper Resistant Receptacles (*Controlled Receptacle Options Available; See Ashrae 90.1 & Title 24 Literature for Details*)
- (1) 2.4A Reversible USB-A Charging Port & (1) 60-Watt USB-C Power Delivery Port with GaN Technology
- Data Knockouts (*Units Offered With or Without RJ45 Jacks; Additional Keystone Data Options Available for Purchase*)
- Mouse Hole for Cord Management
- Used with 4 Wire 2 Circuit Starter and Interconnecting Cables (*Purchased Separately*)
- Hardwire Starter & Interconnecting Cable Lengths: Minimum 12" - 180" Maximum (*Specify in 1" Increments*)
- Circuit 1 and 2 Options - Link Up-to 40 Receptacles Across 2 Circuits (*US Only*)
- Cable Clamps and Screws Included for Installation
- UL Listed for US and Canada

GROMMET SPECIFICATIONS:

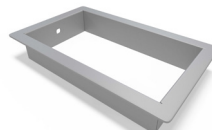
- Flush Lid, Lift Lid, or No-Lid Styles (*Sold Separately*)
- Fits Surface Thicknesses: 1" Minimum
- Fits Surface Cutout: 3.0" x 5.25"



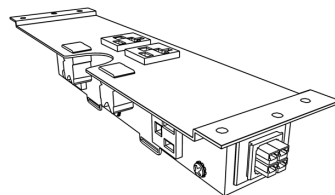
FLUSH LID
GROMMET



LIFT LID
GROMMET



NO-LID
GROMMET



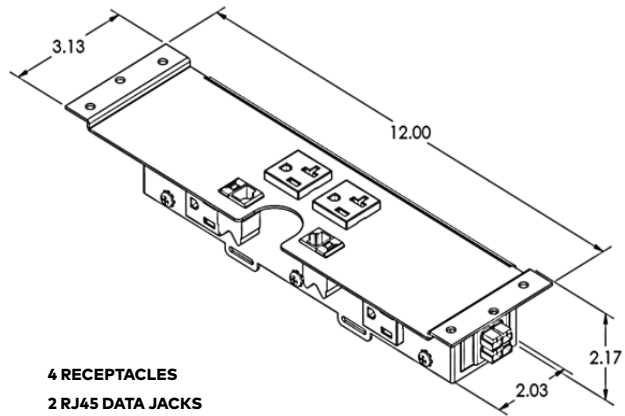
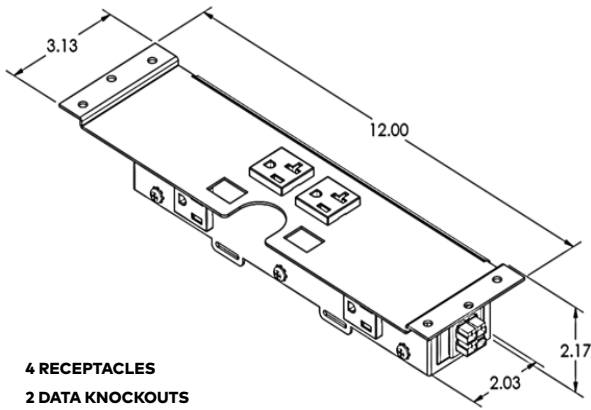
DAISYLINK™ COMPONENTS

REFER TO DAISYLINK™ COMPONENTS PAGE IN ORDERING INFORMATION FOR DETAILS

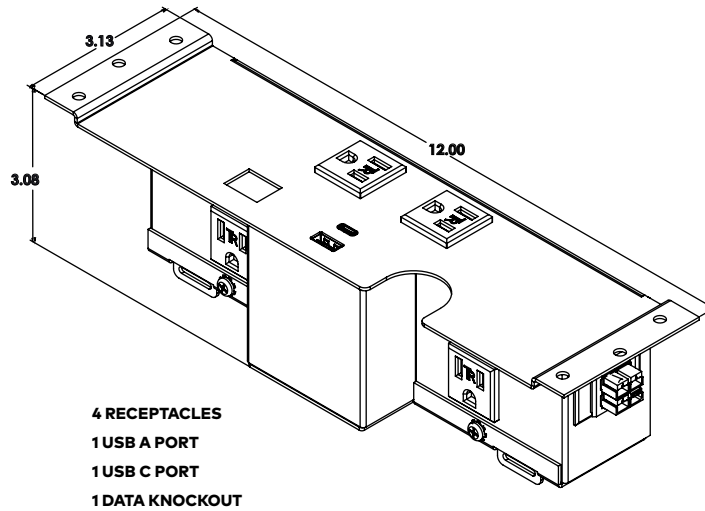


Series dimensions on following page...

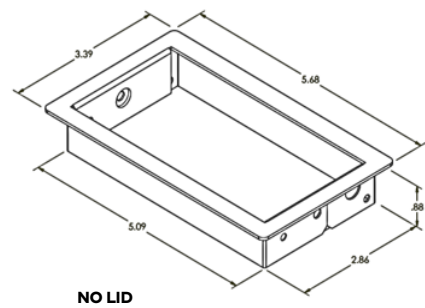
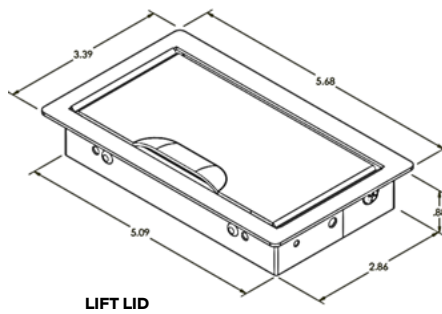
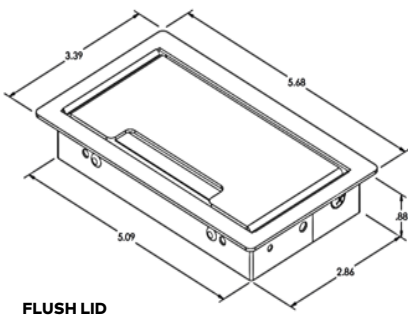
VILLA II SERIES | POWER & DATA



VILLA II SERIES | POWER, USB & DATA



VILLA SERIES | GROMMETS



Ordering information on following page...

DAISYLINK™ CONFIGURATIONS

SELECT YOUR POWER:

CHOOSE YOUR FINISH:

POWER RECEPTACLES	USB-A PORT	USB-C PORT	DATA KNOCKOUT	RJ45 DATA JACK
-------------------	------------	------------	---------------	----------------

SILVER

BLACK

WHITE

VILLA™ II SERIES | **POWER & DATA** | CIRCUIT 1

POWER RECEPTACLES	USB-A PORT	USB-C PORT	DATA KNOCKOUT	RJ45 DATA JACK	SILVER	BLACK	WHITE
4	-	-	2	-	VIL2-4-1-DKO-S	VIL2-4-1-DKO-B	VIL2-4-1-DKO-W
4	-	-	-	2	VIL2-4-1-D-S	VIL2-4-1-D-B	VIL2-4-1-D-W

VILLA™ II SERIES | **POWER, USB & DATA** | CIRCUIT 1

POWER RECEPTACLES	USB-A PORT	USB-C PORT	DATA KNOCKOUT	RJ45 DATA JACK	SILVER	BLACK	WHITE
4	1	1	-	2	306026.01.25.C1	306026.01.04.C1	306026.01.VW.C1
4	1	1	1	-	306026.03.25.C1	306026.03.04.C1	306026.03.VW.C1
4	1	1	1	-	306026.02.25.C1	306026.02.04.C1	306026.02.VW.C1

VILLA™ II SERIES | **POWER, USB & DATA** | CIRCUIT 2

POWER RECEPTACLES	USB-A PORT	USB-C PORT	DATA KNOCKOUT	RJ45 DATA JACK	SILVER	BLACK	WHITE
4	1	1	-	2	306026.01.25.C2	306026.01.04.C2	306026.01.VW.C2
4	1	1	1	-	306026.03.25.C2	306026.03.04.C2	306026.03.VW.C2
4	1	1	1	-	306026.02.25.C2	306026.02.04.C2	306026.02.VW.C2

GROMMETS SOLD SEPARATELY
 DATA KNOCKOUT OPTIONS SOLD SEPARATELY
 CALL FOR PRICING

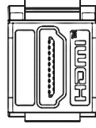
Data and grommet options on following page...

DATA & GROMMET ACCESSORIES

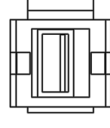
SELECT YOUR DATA KNOCKOUT OPTIONS:



A.



B.

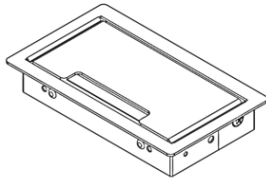


C.

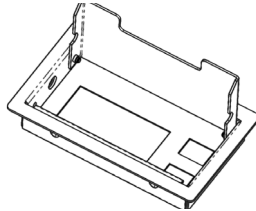
DESCRIPTION	FINISH	PART NUMBER
A. RJ45 cat 6 punch down data jack, <i>Siemon™ brand</i>	Black	RJ45-B
B. HDMI keystone jack, female/female	Black	HDMI-KEY-B
C. USB 2.0 Type-A keystone, female/female	Black White	USB-20AA-B-72K USB-20AA-W-72K

ADDITIONAL DATA OPTIONS AVAILABLE
PLEASE CONTACT OUR KNOWLEDGEABLE CUSTOMER SERVICE TEAM FOR MORE DETAILS

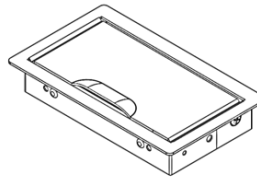
CHOOSE A GROMMET LID (OPTIONAL):



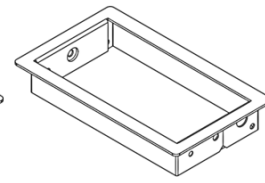
D.



E.



F.



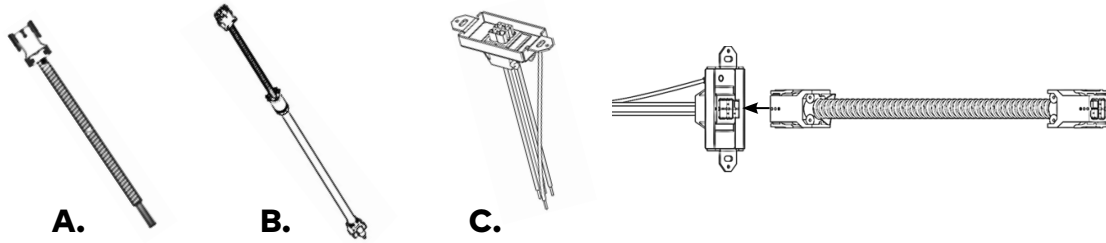
G.

DESCRIPTION	FINISH	PART NUMBER
D. Flush Lid Style - includes brush trim and small cutout for lid opening; sits flush to surface	Silver Black White Brushed Aluminum Brushed Stainless Steel	VIL-GROM-F-S VIL-GROM-F-B VIL-GROM-F-GW VIL-GROM-F-AL VIL-GROM-F-SS
E. Flush Lid Style with Data - fully customizable; includes 1 telecom plate knockout and 2 data knockouts <small>NOTE: INTENDED AS A STAND-ALONE PRODUCT; NOT COMPATIBLE WITH VILLA POWER BASES.</small>	Silver Black White	VIL-GROM-D-F-S VIL-GROM-D-F-B VIL-GROM-D-F-GW
F. Lift Lid Style - Raised lip top for opening assistance	Silver Black White	VIL-GROM-L-S VIL-GROM-L-B VIL-GROM-L-GW
G. No Lid Style - outer trim for surface cutout	Silver Black White Brushed Aluminum Brushed Stainless Steel	VIL-GROM-S VIL-GROM-B VIL-GROM-GW VIL-GROM-AL VIL-GROM-SS

Daisylink™ components on following page...

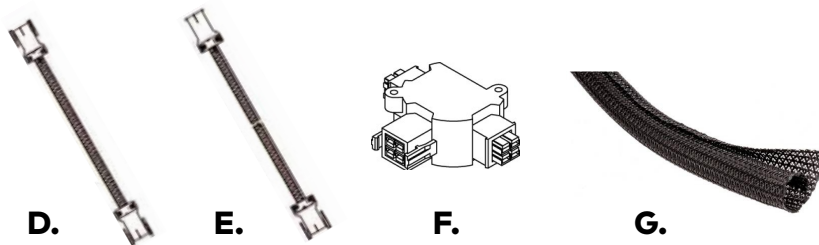
DAISYLINK™ COMPONENTS

SELECT YOUR STARTER INFEED OPTION:



DESCRIPTION	LENGTH/FINISH	PART NUMBER
A. Hardwired multi-circuit starter infeed with female DaisyLink™ connector; hardwires into electrical junction box *Specify in increments of 1" Cable Lengths in Part Number	12" Min - 180" Max	42 SB2-XXX*
B. Molded 3-prong plug single-circuit starter power Infeed with female DaisyLink™ connector; plugs directly into wall or floor outlet	72"	42 20AP1-72
C. Quick Disconnect multi-circuit wall/floor insert with male DaisyLink™ connector; wires into junction box to accept female DaisyLink™ interconnecting cable (To be used with 42 FF-XXX interconnecting cable - see below)	Black	42 QD Insert

CHOOSE YOUR INTERCONNECTING CABLES:



DESCRIPTION	LENGTH/FINISH	PART NUMBER
D. Female/Female Interconnecting Cable *Specify in increments of 1" Cable Lengths in Part Number	12" Min - 180" Max	42 FF-XXX*
E. Female/Male Interconnecting Cable *Specify in increments of 1" Cable Lengths in Part Number	12"Min - 180" Max	42 FM-XXX*
F. T-Connector used to branch cabling in different directions; 2 male and 1 female endings	Black	Daisy T
G. Nylon Black Cable Covers - Add "B" to cabling part number	Black	Cable Covers "B"

TO LEARN HOW TO CONFIGURE AND ASSEMBLE A 4 WIRE 2 CIRCUIT SYSTEM, SEE DAISYLINK™ SYSTEM LITERATURE FOR DETAILS OR CONTACT OUR KNOWLEDGEABLE CUSTOMER SERVICE TEAM

IF YOU HAVE STANDARD TABLE SIZES, SEE THE VILLA™ II DAISYLINK™ QUICK KIT LITERATURE FOR PRE-SPECIFIED CABLING KITS; FOR HELP WITH YOUR INDIVIDUAL TABLE OR ROOM CONFIGURATIONS, CONTACT OUR KNOWLEDGEABLE CUSTOMER SERVICE TEAM