



# VILLA™ SERIES DAISYLINK™



## UNCONSTRAINED RECONFIGURING

### MODULAR CONNECTIONS

Villa™ with Daisylink™ delivers the adaptable power, USB, and data capabilities required in today's learning and work environments. The non-sequential 4 wire 2 circuit electrical system allow units to daisy-chain in any arrangement from a single infeed. Reconfiguring and nested storage is accommodated without the hassle of uninstalling units, thanks to its ergonomic design.



**FEATURES:**

**Mounting Capabilities**

Bezel /In-Surface

**Applications**

Work Surfaces  
Training Tables

**Standard Finishes\***

- Silver Pearl
- Black (Textured Finish)
- White

**Grommet Finishes**

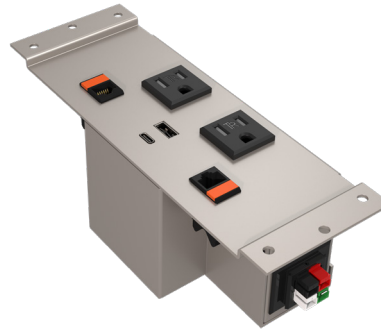
*Flush Lid & No-Lid Styles:*

- Silver
- Black
- White
- Brushed Aluminum
- Brushed Stainless Steel

*Lift Lid Style:*

- Silver
- Black
- White

\*Interested in our specialty finishes?  
Contact us for details.



**UNIT SPECIFICATIONS:**

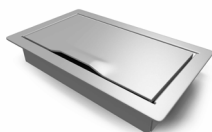
- 20A/120V AC Tamper Resistant Receptacles
- (1) 2.4A Reversible USB-A Charging Port & (1) 60-Watt USB-C Power Delivery Port with GaN Technology (Available on Select Models)
- Data Knockouts (*Units Offered With or Without RJ45 Jacks; Additional Keystone Data Options Available for Purchase*)
- Cable Clamps and Screws Included for Installation
- Used with 4 Wire 2 Circuit Starter and Interconnecting Cables (*Purchased Separately*)
- Hardwire Starter & Interconnecting Cable Lengths: Minimum 12" - 180" Maximum (*Specify in 1" Increments*)
- Circuit 1 and 2 Options - Link Up-to 40 Receptacles Across 2 Circuits (*US Only*)
- UL Listed for US and Canada

**GROMMET SPECIFICATIONS:**

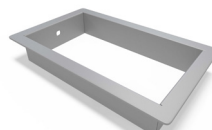
- Flush Lid, Lift Lid, or No-Lid Styles (*Sold Separately*)
- Fits Surface Thicknesses: 1" Minimum
- Fits Surface Cutout: 3.0" x 5.25"



FLUSH LID  
GROMMET



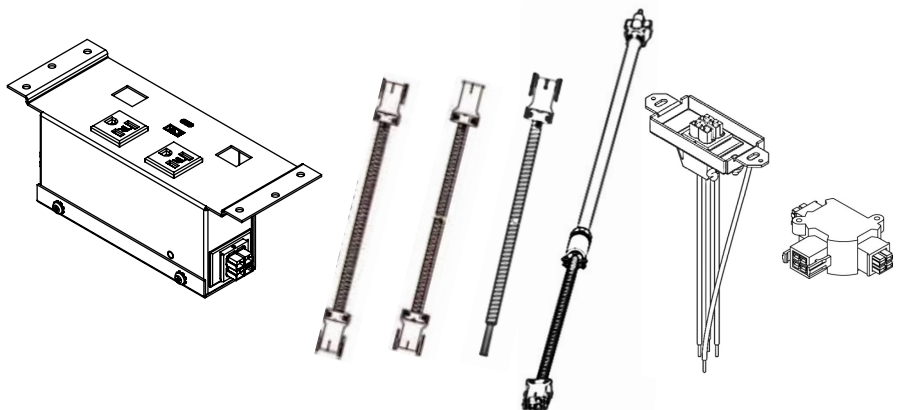
LIFT LID  
GROMMET



NO-LID  
GROMMET

**DAISYLINK™ COMPONENTS**

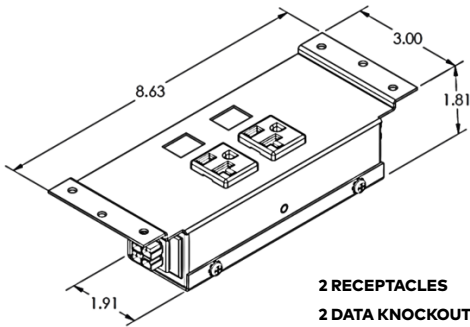
REFER TO DAISYLINK™ COMPONENTS PAGE IN ORDERING INFORMATION FOR DETAILS



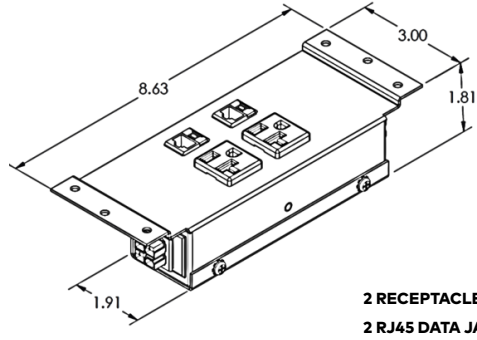
Series dimensions on following page...

**PRODUCT DIMENSIONS**

**VILLA SERIES | POWER & DATA**

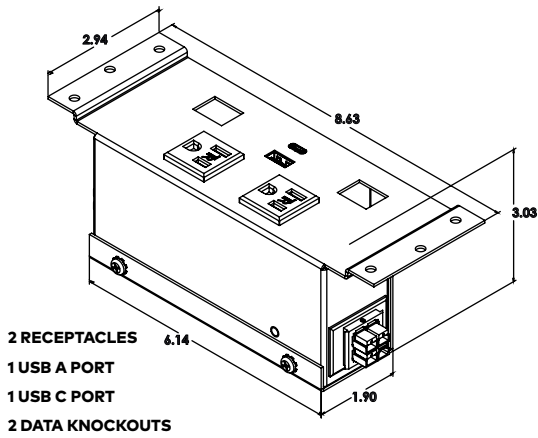


**2 RECEPTACLES  
2 DATA KNOCKOUTS**



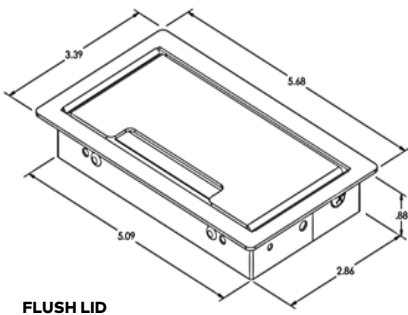
**2 RECEPTACLES  
2 RJ45 DATA JACKS**

**VILLA SERIES | POWER, USB & DATA**

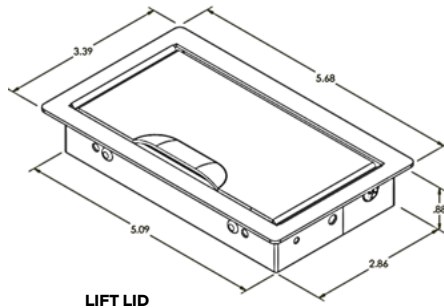


**2 RECEPTACLES  
1 USB A PORT  
1 USB C PORT  
2 DATA KNOCKOUTS**

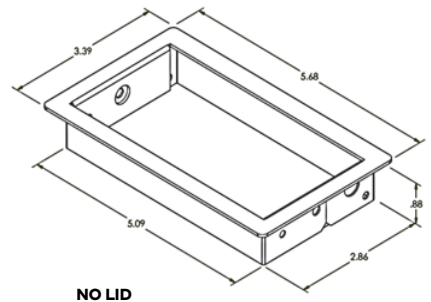
**VILLA SERIES | GROMMETS**



**FLUSH LID**



**LIFT LID**



**NO LID**

Ordering information on following page...

DAISYLINK™ CONFIGURATIONS

**SELECT YOUR POWER:**

**CHOOSE YOUR FINISH:**

POWER RECEPTACLES	USB-A PORT	USB-C PORT	DATA KNOCKOUT	RJ45 DATA JACK
-------------------	------------	------------	---------------	----------------

SILVER

BLACK

WHITE

VILLA™ SERIES | **POWER & DATA** | CIRCUIT 1

POWER RECEPTACLES	USB-A PORT	USB-C PORT	DATA KNOCKOUT	RJ45 DATA JACK	SILVER	BLACK	WHITE
2	-	-	2	-	VIL-4-1-DKO-S	VIL-4-1-DKO-B	VIL-4-1-DKO-W
2	-	-	-	2	VIL-4-1-D-S	VIL-4-1-D-B	VIL-4-1-D-W

VILLA™ SERIES | **POWER, USB & DATA** | CIRCUIT 1

POWER RECEPTACLES	USB-A PORT	USB-C PORT	DATA KNOCKOUT	RJ45 DATA JACK	SILVER	BLACK	WHITE
2	1	1	2	-	306025.01.25.C1	306025.01.04.C1	306025.01.VW.C1
2	1	1	2*	-	306025.02.25.C1	306025.02.04.C1	306025.02.VW.C1
2	1	1	-	2	306025.03.25.C1	306025.03.04.C1	306025.03.VW.C1

VILLA™ SERIES | **POWER, USB & DATA** | CIRCUIT 2

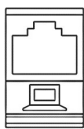
POWER RECEPTACLES	USB-A PORT	USB-C PORT	DATA KNOCKOUT	RJ45 DATA JACK	SILVER	BLACK	WHITE
2	1	1	2	-	306025.01.25.C2	306025.01.04.C2	306025.01.VW.C2
2	1	1	2*	-	306025.02.25.C2	306025.02.04.C2	306025.02.VW.C2
2	1	1	-	2	306025.03.25.C2	306025.03.04.C2	306025.03.VW.C2

\*INCLUDES CAPS  
 GROMMETS SOLD SEPARATELY  
 DATA KNOCKOUT OPTIONS SOLD SEPARATELY  
 CALL FOR PRICING

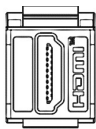
Data knockout and grommet options on following page...

DATA & GROMMET ACCESSORIES

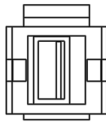
**SELECT YOUR DATA KNOCKOUT OPTIONS:**



A.



B.

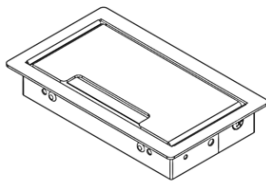


C.

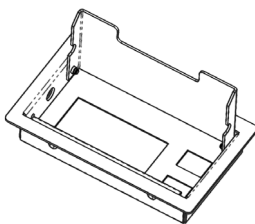
DESCRIPTION	FINISH	PART NUMBER
A. RJ45 cat 6 punch down data jack, <i>Siemon™ brand</i>	Black	RJ45-B
B. HDMI keystone jack, female/female	Black	HDMI-KEY-B
C. USB 2.0 Type-A keystone, female/female	Black White	USB-20AA-B-72K USB-20AA-W-72K

ADDITIONAL DATA OPTIONS AVAILABLE  
PLEASE CONTACT OUR KNOWLEDGEABLE CUSTOMER SERVICE TEAM FOR MORE DETAILS

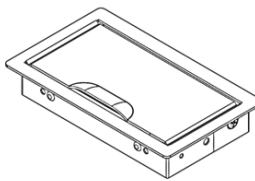
**CHOOSE A GROMMET LID (OPTIONAL):**



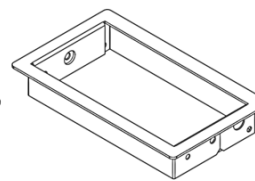
D.



E.



F.



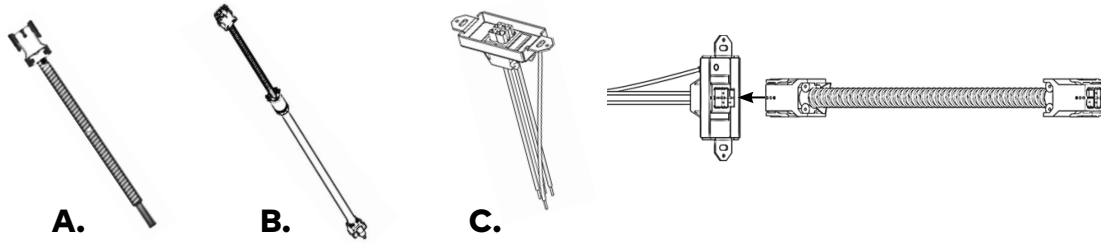
G.

DESCRIPTION	FINISH	PART NUMBER
D. Flush Lid Style - includes brush trim and small cutout for lid opening; sits flush to surface	Silver Black White Brushed Aluminum Brushed Stainless Steel	VIL-GROM-F-S VIL-GROM-F-B VIL-GROM-F-GW VIL-GROM-F-AL VIL-GROM-F-SS
E. Flush Lid Style with Data - fully customizable; includes 1 telecom plate knockout and 2 data knockouts <small>NOTE: INTENDED AS A STAND-ALONE PRODUCT; NOT COMPATIBLE WITH VILLA POWER BASES.</small>	Silver Black White	VIL-GROM-D-F-S VIL-GROM-D-F-B VIL-GROM-D-F-GW
F. Lift Lid Style - Raised lip top for opening assistance	Silver Black White	VIL-GROM-L-S VIL-GROM-L-B VIL-GROM-L-GW
G. No Lid Style - outer trim for surface cutout	Silver Black White Brushed Aluminum Brushed Stainless Steel	VIL-GROM-S VIL-GROM-B VIL-GROM-GW VIL-GROM-AL VIL-GROM-SS

Daisylink™ components on following page...

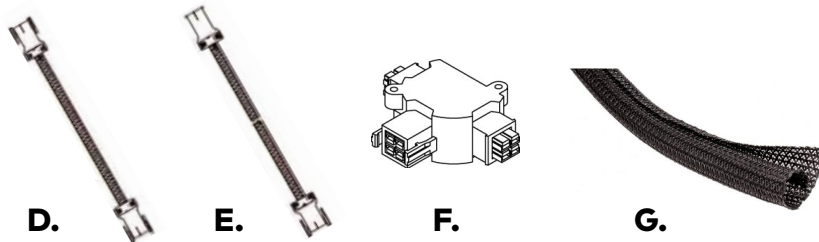
DAISYLINK™ COMPONENTS

**SELECT YOUR STARTER INFEED OPTION:**



DESCRIPTION	LENGTH/FINISH	PART NUMBER
<b>A.</b> Hardwired multi-circuit starter infeed with female DaisyLink™ connector; hardwires into electrical junction box *Specify in increments of 1" Cable Lengths in Part Number	12" Min - 180" Max	42 SB2-XXX*
<b>B.</b> Molded 3-prong plug single-circuit starter power Infeed with female DaisyLink™ connector; plugs directly into wall or floor outlet	72"	42 20AP1-72
<b>C.</b> Quick Disconnect multi-circuit wall/floor insert with male DaisyLink™ connector; wires into junction box to accept female DaisyLink™ interconnecting cable (To be used with 42 FF-XXX interconnecting cable - see below)	Black	42 QD Insert

**CHOOSE YOUR INTERCONNECTING CABLES:**



DESCRIPTION	LENGTH/FINISH	PART NUMBER
<b>D.</b> Female/Female Interconnecting Cable *Specify in increments of 1" Cable Lengths in Part Number	12" Min - 180" Max	42 FF-XXX*
<b>E.</b> Female/Male Interconnecting Cable *Specify in increments of 1" Cable Lengths in Part Number	12"Min - 180" Max	42 FM-XXX*
<b>F.</b> T-Connector used to branch cabling in different directions; 2 male and 1 female endings	Black	Daisy T
<b>G.</b> Nylon Black Cable Covers - Add "B" to cabling part number	Black	Cable Covers "B"

TO LEARN HOW TO CONFIGURE AND ASSEMBLE A 4 WIRE 2 CIRCUIT SYSTEM, SEE DAISYLINK™ SYSTEM LITERATURE FOR DETAILS OR CONTACT OUR KNOWLEDGEABLE CUSTOMER SERVICE TEAM

IF YOU HAVE STANDARD TABLE SIZES, SEE THE VILLA™ II DAISYLINK™ QUICK KIT LITERATURE FOR PRE-SPECIFIED CABLING KITS; FOR HELP WITH YOUR INDIVIDUAL TABLE OR ROOM CONFIGURATIONS, CONTACT OUR KNOWLEDGEABLE CUSTOMER SERVICE TEAM