



# VILLA™ UM SERIES

DAISYLINK™ QUICK KITS



PRE-CONFIGURED  
UNDER-MOUNT  
POWER OPTIONS

OUTFITTED FOR YOUR SPECIFIC TABLE REQUIREMENTS.

Villa™ UM Quick Kits were designed to make specifying easy. One part number provides all the necessary components to outfit popular table lengths for amplified power capabilities. Our assortment of accessory options offer next-level cable management opportunities. As the name implies, installation is quick and easy, so you can reconnect and power-up devices in no time.



**FEATURES:**

Mounting Capabilities  
Under-mount

Applications  
Height Adjustable Tables  
Training Tables  
Work Stations

Standard Finishes\*

- Silver
- Black

\*Interested in our specialty finishes?  
Contact us for details.



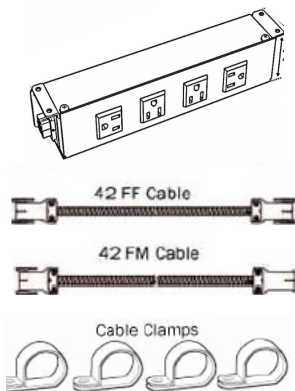
**UNIT SPECIFICATIONS:**

- 15A/120V AC Receptacles (*Choice of 2, 3 & 4 Power Configurations*)
- 2.1A/5V Shared; Dual USB Charging Ports (*Available on Select Models*)
- Data Knockouts - Keystone Data Options Available; (*Purchased Separately*)
- Used with 4 Wire 2 Circuit Starter and Interconnecting Cables (*Purchased Separately*)
- Hardwire Starter & Interconnecting Cable Lengths: Minimum 12" - 180" Maximum (*Specify in 1" Increments*)
- Circuit 1 and 2 Options - Link Up-to 40 Receptacles Across 2 Circuits (*US Only*)
- Cable Clamps and Screws Included for Installation
- UL/ETL Listed for US and Canada

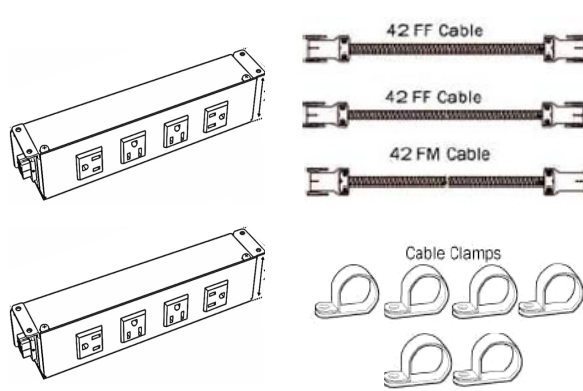
**KIT SPECIFICATIONS:**

- Choice of a Single (1 Unit) or Double (2 Units) Kit
- Single Kit Table Sizes: 36", 42", 48", 54", 60", 66", 72", 84", 96" (*See Single Kit Table Chart for Details*)
- Double Kit Table Sizes: 60", 66", 72", 84", 96" (*See Double Kit Table Chart for Details*)
- Single Kit Includes: 1 Villa UM DaisyLink Unit, 1 Female/Female and 1 Female/Male Interconnecting Cables, 4 Plastic Cable Clamps and Screws
- Double Kit Includes: 2 Villa UM DaisyLink Units, 2 Female/Female and 1 Female/Male Interconnecting Cables, 6 Plastic Cable Clamps and Screws

**SINGLE KIT COMPONENTS**

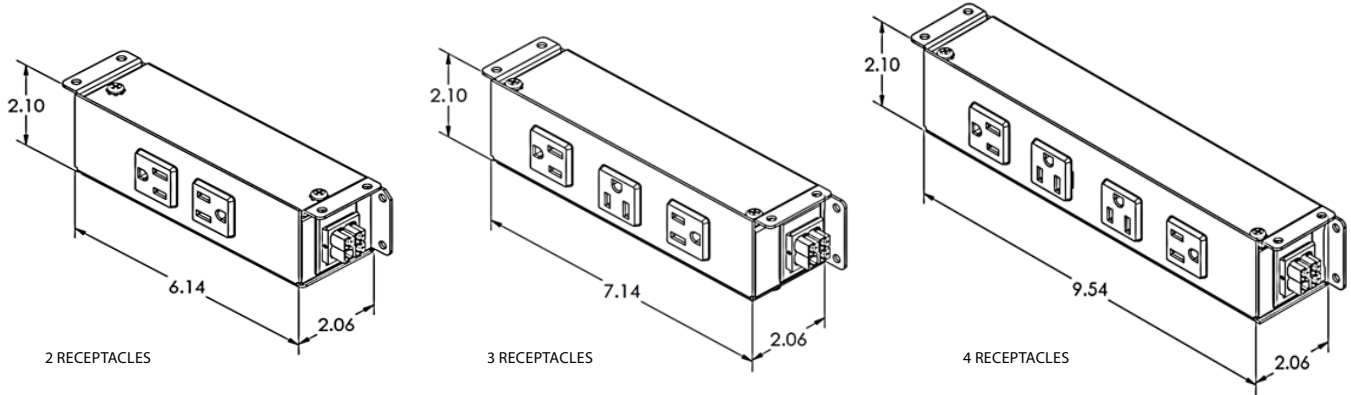


**DOUBLE KIT COMPONENTS**

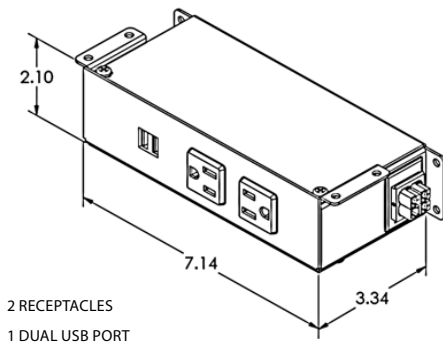


Series dimensions on following page...

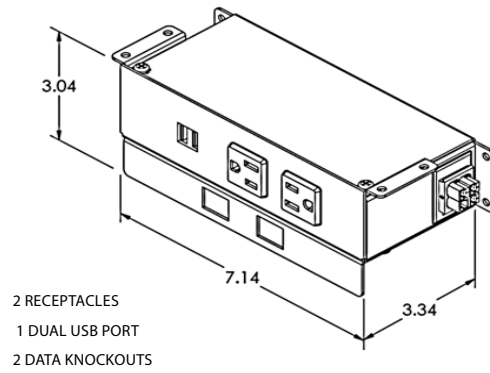
VILLA UM SERIES | POWER ONLY



VILLA UM SERIES | POWER & USB



VILLA UM SERIES | POWER, USB & DATA



VILLA UM SERIES | POWER & DATA

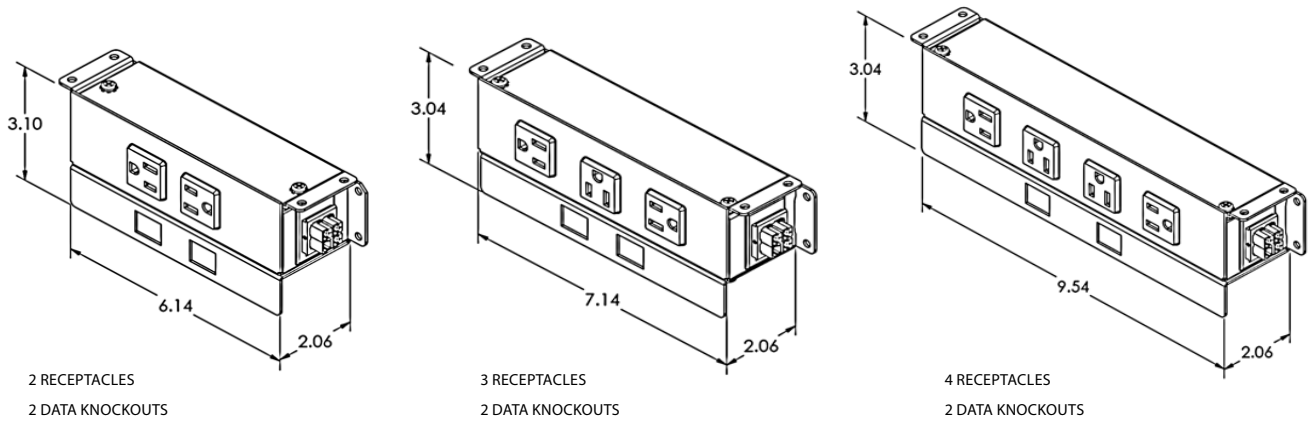
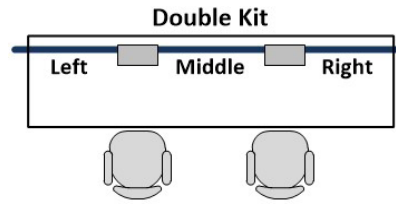
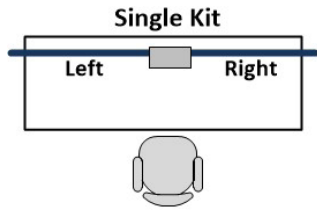


Table kit chart continued on following page...



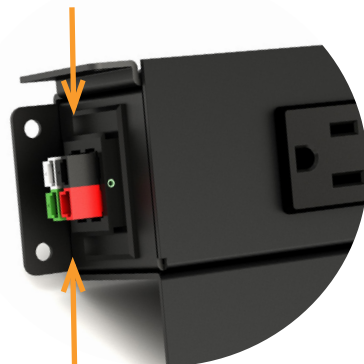
SINGLE KIT		
2 POWER; 2 POWER WITH USB; 2 POWER WITH DATA; 2 POWER WITH USB & DATA; 3 POWER; 3 POWER WITH DATA		
TABLE SIZE	LEFT FM CABLE LENGTH	RIGHT FF CABLE LENGTH
36"	FM-15.5"	FF-15.5"
42"	FM-18.5"	FF-18.5"
48"	FM-21.5"	FF-21.5"
54"	FM-24.5"	FF-24.5"
60"	FM-27.5"	FF-27.5"
66"	FM-30.5"	FF-30.5"
72"	FM-33.5"	FF-33.5"
84"	FM-39.5"	FF-39.5"
96"	FM-45.5"	FF-45.5"
SINGLE KIT		
4 POWER; 4 POWER WITH DATA		
36"	FM-14"	FF-14"
42"	FM-17"	FF-17"
48"	FM-20"	FF-20"
54"	FM-23"	FF-23"
60"	FM-26"	FF-26"
66"	FM-29"	FF-29"
72"	FM-32"	FF-32"
84"	FM-38"	FF-38"
96"	FM-44"	FF-44"

DOUBLE KIT			
2 POWER WITH USB; 2 POWER WITH USB & DATA; 3 POWER; 3 POWER WITH DATA			
TABLE SIZE	LEFT FM CABLE LENGTH	MIDDLE FF CABLE LENGTH	RIGHT FF CABLE LENGTH
60"	FM-12"	FF-23"	FF-12"
66"	FM-12"	FF-29"	FF-12"
72"	FM-12"	FF-35"	FF-12"
84"	FM-12"	FF-47"	FF-12"
96"	FM-12"	FF-59"	FF-12"
DOUBLE KIT			
2 POWER; 2 POWER WITH DATA			
60"	FM-12"	FF-25"	FF-12"
66"	FM-12"	FF-31"	FF-12"
72"	FM-12"	FF-37"	FF-12"
84"	FM-12"	FF-49"	FF-12"
96"	FM-12"	FF-61"	FF-12"
DOUBLE KIT			
4 POWER; 4 POWER WITH DATA			
60"	FM-12"	FF-18"	FF-12"
66"	FM-12"	FF-24"	FF-12"
72"	FM-12"	FF-30"	FF-12"
84"	FM-12"	FF-42"	FF-12"
96"	FM-12"	FF-54"	FF-12"

////////////////////////////////////

NOTE:  
All DaisyLink™ products come equipped with male-end connectors (Male ends extend outward)

////////////////////////////////////



Ordering information on following page...

DAISYLINK™ QUICK KITS

SELECT YOUR POWER:

CHOOSE YOUR FINISH:

POWER RECEPTACLES	DUAL USB PORTS	DATA KNOCKOUT
-------------------	----------------	---------------

SILVER

BLACK

VILLA™ UM SERIES | SINGLE KIT | CIRCUIT 1

2	-	-	VUM-41-2-S-__K	VUM-41-2-B-__K
3	-	-	VUM-41-3-S-__K	VUM-41-3-B-__K
4	-	-	VUM-41-4-S-__K	VUM-41-4-B-__K
2	1	-	VUM-41-2U-S-__K	VUM-41-2U-B-__K
2	1	2	VUM-412UDKOS__K	VUM-412UDKOB__K
2	-	2	VUM-41-2DKOS__K	VUM-41-2DKOB__K
3	-	2	VUM-41-3DKOS__K	VUM-41-3DKOB__K
4	-	2	VUM-41-4DKOS-__K	VUM-41-4DKOB-__K

\*Replace \_\_ in Single Kit (K) with 36, 42, 48, 54, 60, 66, 72, 84, 96 for specified table length

VILLA™ UM SERIES | DOUBLE KIT | CIRCUIT 1

4	-	-	VUM-41-2-S-__DK	VUM-41-2-B-__DK
6	-	-	VUM-41-3-S-__DK	VUM-41-3-B-__DK
8	-	-	VUM-41-4-S-__DK	VUM-41-4-B-__DK
4	2	-	VUM-412U-S-__DK	VUM-412U-B-__DK
4	2	4	VUM412UDKOS__DK	VUM412UDKOB__DK
4	-	4	VUM-412DKOS__DK	VUM-412DKOB__DK
6	-	4	VUM-413DKOS__DK	VUM-413DKOB__DK
8	-	4	VUM-414DKOS-__DK	VUM-414DKOB-__DK

\*Replace \_\_ in Double Kit (DK) with 60, 66, 72, 84, 96 for specified table length

CHANGE -41 TO -42 TO SPECIFY CIRCUIT 2 CONFIGURATIONS  
 DATA KNOCKOUT OPTIONS SOLD SEPARATELY  
 CALL FOR PRICING

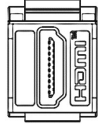
Data options and Daisylink™ components on following page...

DATA CONNECTORS

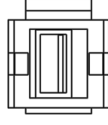
SELECT YOUR DATA KNOCKOUT OPTIONS:



A.



B.



C.

DESCRIPTION	FINISH	PART NUMBER
A. RJ45 cat 6 punch down data jack, <i>Siemon™ brand</i>	Black	RJ45-B
B. HDMI keystone jack, female/female	Black	HDMI-KEY-B
C. USB 2.0 Type-A keystone, female/female	Black White	USB-20AA-B-72K USB-20AA-W-72K

ADDITIONAL DATA OPTIONS AVAILABLE  
PLEASE CONTACT OUR KNOWLEDGEABLE CUSTOMER SERVICE TEAM FOR MORE DETAILS

DAISYLINK™ COMPONENTS

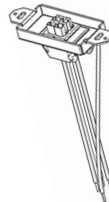
SELECT YOUR STARTER INFEED OPTION:



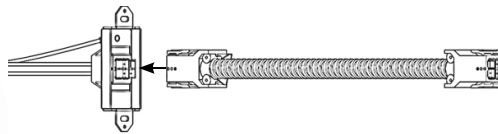
A.



B.



C.



DESCRIPTION	LENGTH/FINISH	PART NUMBER
A. Hardwired multi-circuit starter infeed with female DaisyLink™ connector; hardwires into electrical junction box *Specify in increments of 1" Cable Lengths in Part Number	12" Min - 180" Max	42 SB2-XXX*
B. Molded 3-prong plug single-circuit starter power Infeed with female DaisyLink™ connector; plugs directly into wall or floor outlet	72"	42 20AP1-72
C. Quick Disconnect multi-circuit junction box with male DaisyLink™ connector; wires into outlet to accept female DaisyLink™ interconnecting cable (To be used with 42 FF-XXX interconnecting cable)	Black	42 QD Insert

TO LEARN HOW TO CONFIGURE AND ASSEMBLE A 4 WIRE 2 CIRCUIT SYSTEM, SEE DAISYLINK™ SYSTEM LITERATURE FOR DETAILS - OR CONTACT OUR KNOWLEDGEABLE CUSTOMER SERVICE TEAM FOR ADDITIONAL SUPPORT