



VILLA™ UM SERIES

DAISYLINK™



DAISY-CHAIN FOR MAXIMUM POWER SUPPLY

SOLUTIONS PROVIDING MODULAR CONNECTIVITY

Easily connect multiple units together with a single infeed, thanks to Villa™ UM with DaisyLink™. The 4 wire 2 circuit system reduces cord clutter and maximizes Villa™ UM's integrated power, USB and data capabilities to the underside of work surfaces.



FEATURES:


Mounting Capabilities

Under-mount

Applications

Height Adjustable Tables
Training Tables
Work Stations

Standard Finishes*

Silver 
Black (Textured Finish) 
White 

*Interested in our specialty finishes?
Contact us for details.

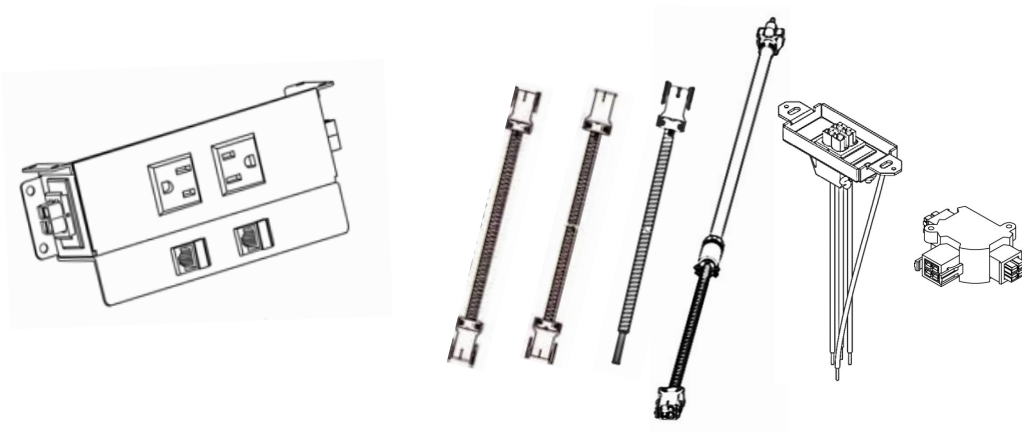


UNIT SPECIFICATIONS:

- 15A/120V AC Tamper Resistant Receptacles
- (1) 2.4A Reversible USB-A Charging Port & (1) 60-Watt USB-C Power Delivery Port with GaN Technology (Available on Select Models)
- Data Knockouts - Keystone Data Options Available (*Purchased Separately*)
- Used with 4 Wire 2 Circuit Starter and Interconnecting Cables (*Purchased Separately*)
- Hardwire Starter & Interconnecting Cable Lengths: Minimum 12" - 180" Maximum (*Specify in 1" Increments*)
- Circuit 1 and 2 Options - Link Up-to 40 Receptacles Across 2 Circuits (*US Only*)
- Cable Clamps and Screws Included for Installation
- ETL Listed for US and Canada

DAISYLINK™ COMPONENTS

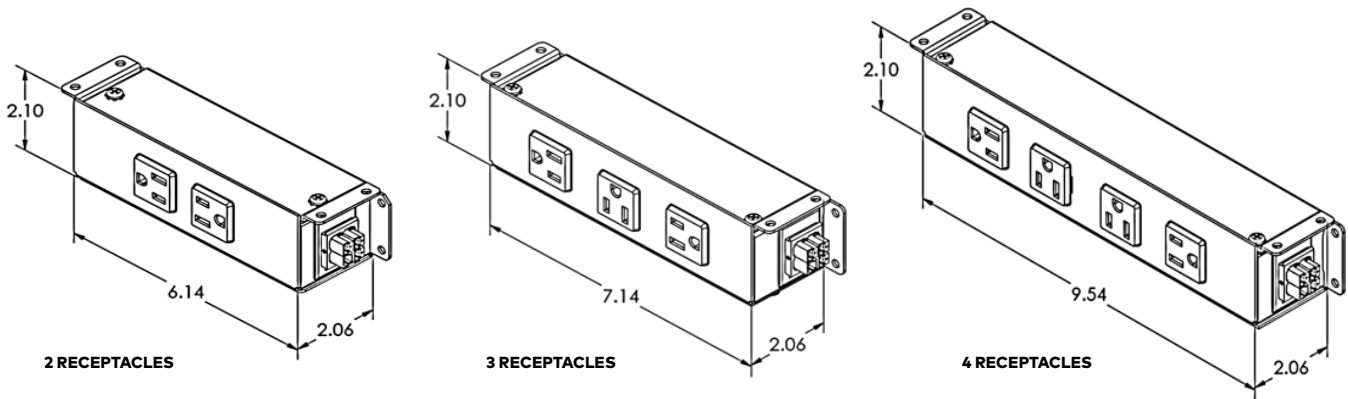
REFER TO DAISYLINK™ COMPONENTS PAGE IN ORDERING INFORMATION FOR DETAILS



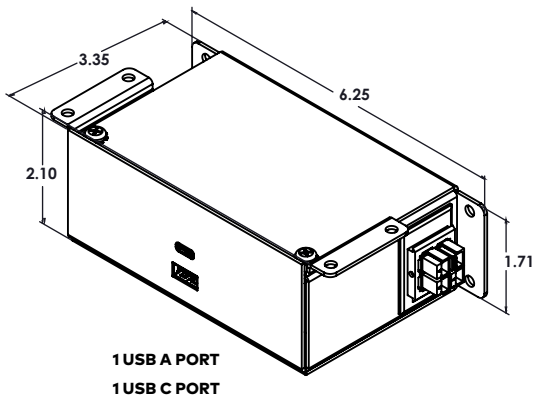
Series dimensions on following page...

PRODUCT DIMENSIONS

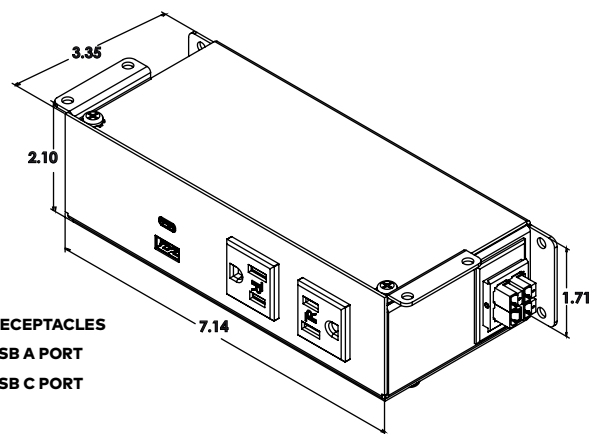
VILLA UM SERIES | POWER ONLY



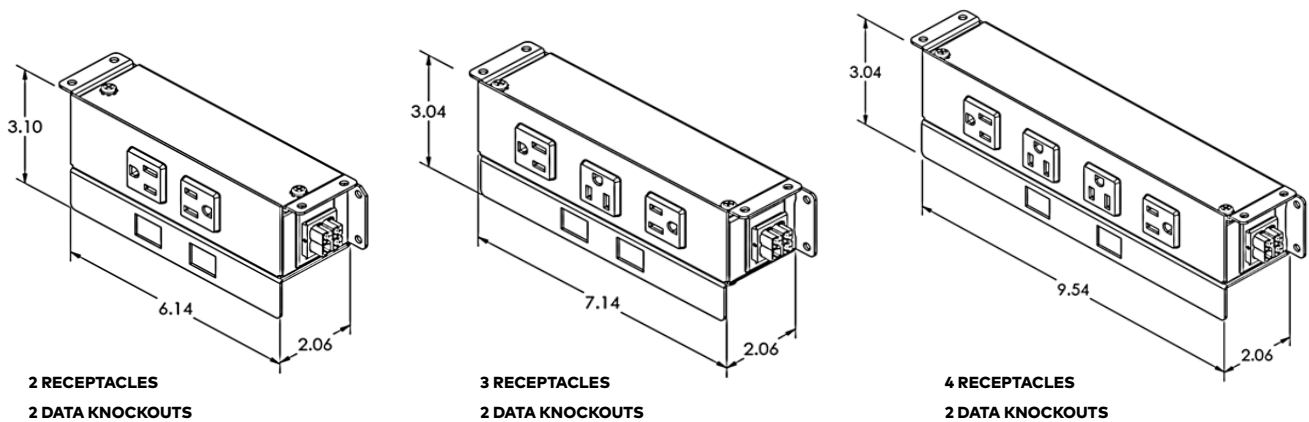
VILLA UM SERIES | USB ONLY



VILLA UM SERIES | POWER & USB

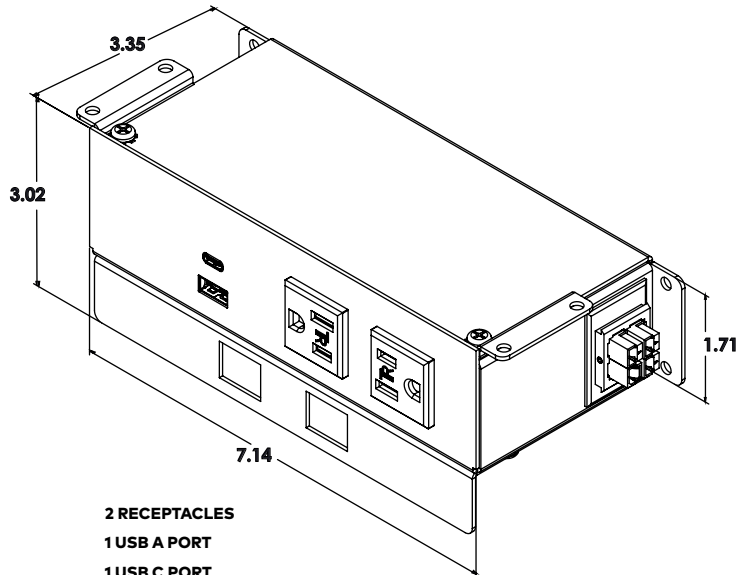


VILLA UM SERIES | POWER & DATA



Series dimensions continued on following page...

VILLA UM SERIES | POWER, USB & DATA



Ordering information on following page...

DAISYLINK™ CONFIGURATIONS

SELECT YOUR POWER:

CHOOSE YOUR FINISH:

POWER RECEPTACLES	USB-A PORT	USB-C PORT	DATA KNOCKOUT	RJ45 DATA
-------------------	------------	------------	---------------	-----------

SILVER

BLACK

WHITE

VILLA™ UM SERIES | **POWER ONLY** | CIRCUIT 1

POWER RECEPTACLES	USB-A PORT	USB-C PORT	DATA KNOCKOUT	RJ45 DATA	SILVER	BLACK	WHITE
2	-	-	-	-	VIL-UM-41-2-S	VIL-UM-41-2-B	-
3	-	-	-	-	VIL-UM-41-3-S	VIL-UM-41-3-B	-
4	-	-	-	-	VIL-UM-41-4-S	VIL-UM-41-4-B	-

VILLA™ UM SERIES | **USB ONLY** | CIRCUIT 1

POWER RECEPTACLES	USB-A PORT	USB-C PORT	DATA KNOCKOUT	RJ45 DATA	SILVER	BLACK	WHITE
-	1	1	-	-	306016.01.25.C1	306016.01.25.C1	306016.01.VW.C1

VILLA™ UM SERIES | **POWER & USB** | CIRCUIT 1

POWER RECEPTACLES	USB-A PORT	USB-C PORT	DATA KNOCKOUT	RJ45 DATA	SILVER	BLACK	WHITE
2	1	1	-	-	306027.01.25.C1	306027.01.04.C1	306027.01.VW.C1
2	1	1	2	-	306028.01.25.C1	306028.01.04.C1	306028.01.04.C1

VILLA™ UM SERIES | **POWER & DATA** | CIRCUIT 1

POWER RECEPTACLES	USB-A PORT	USB-C PORT	DATA KNOCKOUT	RJ45 DATA	SILVER	BLACK	WHITE
2	-	2	-	-	VIL-UM-41-2DKOS	VIL-UM-41-2DKOB	-
3	-	2	-	-	VIL-UM-41-3DKOS	VIL-UM-41-3DKOB	-
4	-	2	-	-	VIL-UM-41-4DKOS	VIL-UM-41-4DKOB	-

VILLA™ UM SERIES | **POWER, USB & DATA** | CIRCUIT 1

POWER RECEPTACLES	USB-A PORT	USB-C PORT	DATA KNOCKOUT	RJ45 DATA	SILVER	BLACK	WHITE
2	1	1	2	-	306028.02.25.C1	306028.02.04.C1	306028.02.04.C1

VILLA™ UM SERIES | **POWER, USB & RJ45** | CIRCUIT 1

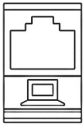
POWER RECEPTACLES	USB-A PORT	USB-C PORT	DATA KNOCKOUT	RJ45 DATA	SILVER	BLACK	WHITE
2	1	1	-	2	306028.03.25.C1	306028.03.04.C1	306028.03.VW.C1

CHANGE -41 TO -42 OR C1 TO C2 TO SPECIFY CIRCUIT 2 CONFIGURATIONS
 DATA KNOCK OUTS W/O COVERS
 DATA KNOCKOUT OPTIONS SOLD SEPARATELY
 CALL FOR PRICING

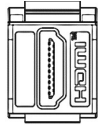
Data options on following page...

DATA CONNECTORS

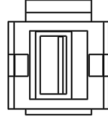
SELECT YOUR DATA KNOCKOUT OPTIONS:



A.



B.



C.

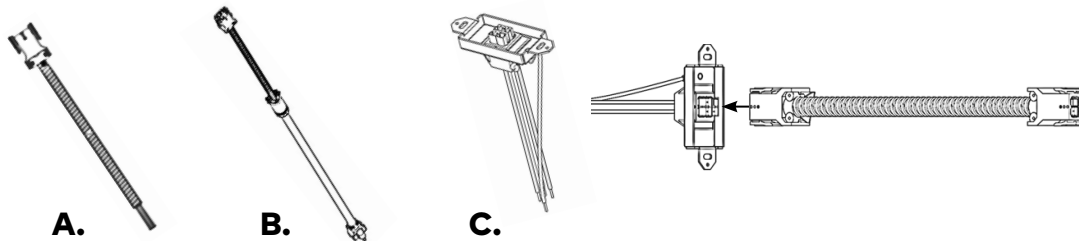
DESCRIPTION	FINISH	PART NUMBER
A. RJ45 cat 6 punch down data jack, <i>Siemon™ brand</i>	Black	RJ45-B
B. HDMI keystone jack, female/female	Black	HDMI-KEY-B
C. USB 2.0 Type-A keystone, female/female	Black White	USB-20AA-B-72K USB-20AA-W-72K

ADDITIONAL DATA OPTIONS AVAILABLE
PLEASE CONTACT OUR KNOWLEDGEABLE CUSTOMER SERVICE TEAM FOR MORE DETAILS

DaisyLink components on following page...

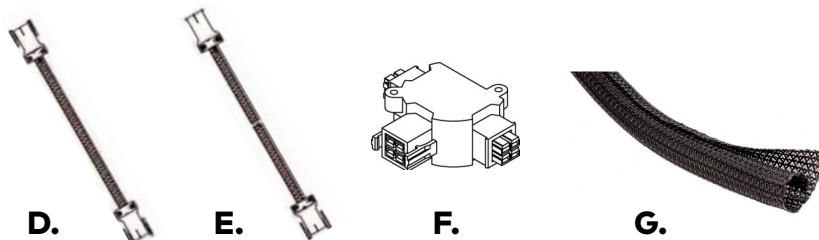
DAISYLINK™ COMPONENTS

SELECT YOUR STARTER INFEED OPTION:



DESCRIPTION	LENGTH/FINISH	PART NUMBER
A. Hardwired multi-circuit starter infeed with female DaisyLink™ connector; hardwires into electrical junction box *Specify in increments of 1" Cable Lengths in Part Number	12" Min - 180" Max	42 SB2-XXX*
B. Molded 3-prong plug single-circuit starter power Infeed with female DaisyLink™ connector; plugs directly into wall or floor outlet	72"	42 20AP1-72
C. Quick Disconnect multi-circuit wall/floor insert with male DaisyLink™ connector; wires into junction box to accept female DaisyLink™ interconnecting cable (To be used with 42 FF-XXX interconnecting cable - see below)	Black	42 QD Insert

CHOOSE YOUR INTERCONNECTING CABLES:



DESCRIPTION	LENGTH/FINISH	PART NUMBER
D. Female/Female Interconnecting Cable *Specify in increments of 1" Cable Lengths in Part Number	12" Min - 180" Max	42 FF-XXX*
E. Female/Male Interconnecting Cable *Specify in increments of 1" Cable Lengths in Part Number	12"Min - 180" Max	42 FM-XXX*
F. T-Connector used to branch cabling in different directions; 2 male and 1 female endings	Black	Daisy T
G. Nylon Black Cable Covers - Add "B" to cabling part number	Black	Cable Covers "B"

TO LEARN HOW TO CONFIGURE AND ASSEMBLE A 4 WIRE 2 CIRCUIT SYSTEM, SEE DAISYLINK™ SYSTEM LITERATURE FOR DETAILS OR CONTACT OUR KNOWLEDGEABLE CUSTOMER SERVICE TEAM

IF YOU HAVE STANDARD TABLE SIZES, SEE THE VILLA™ II DAISYLINK™ QUICK KIT LITERATURE FOR PRE-SPECIFIED CABLING KITS; FOR HELP WITH YOUR INDIVIDUAL TABLE OR ROOM CONFIGURATIONS, CONTACT OUR KNOWLEDGEABLE CUSTOMER SERVICE TEAM