



VILLA™ UM SERIES

HEIGHT ADJUSTABLE TABLE KITS



POWERING
HIGH
EXPECTATIONS

CURATED KITS FOR HEIGHT ADJUSTABLE TABLES.

Easily connect height adjustable tables with a single infeed thanks to Villa™ UM Height Adjustable Table Kits. Featuring a unique Loop Cable and bracket system, cables are concealed and supported for smooth height transitionings; allowing power capabilities to effortlessly extend across adjoining surfaces. In three simple steps, all necessary components to outfit your specific table lengths and requirements are provided.



FEATURES:

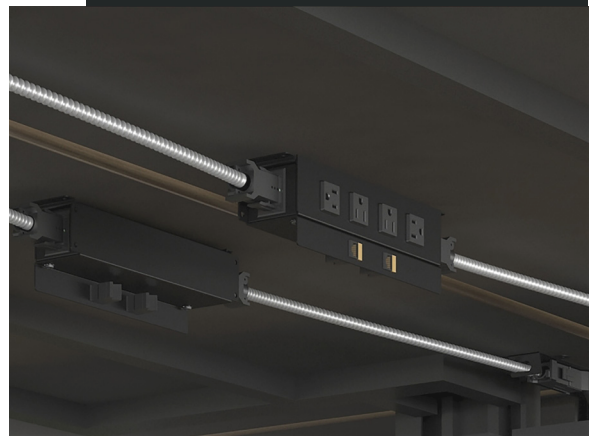
Mounting Capabilities
Under-mount

Applications
Height Adjustable Tables

Standard Finishes*

- Silver
- Black (Textured Finish)

*Interested in our specialty finishes?
Contact us for details.



UNIT SPECIFICATIONS:

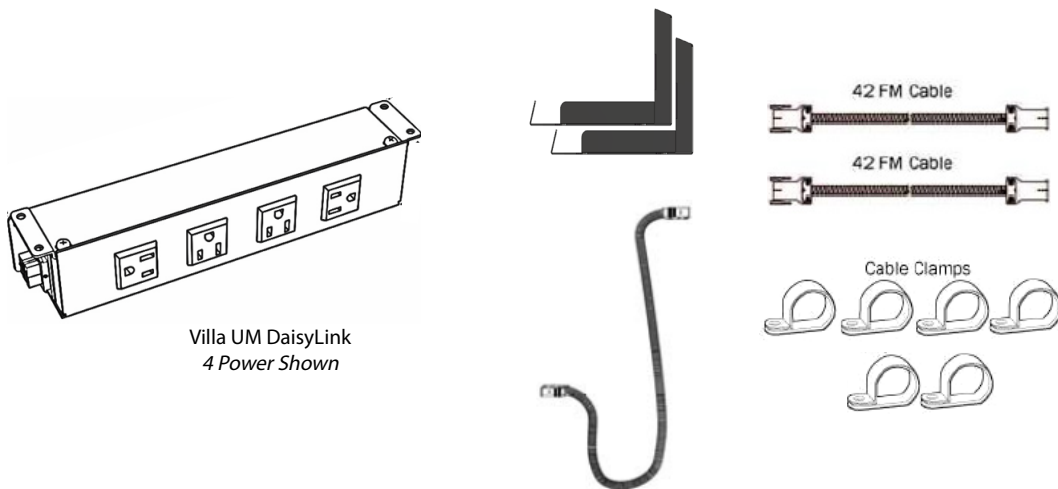
- 15A/120V AC Receptacles (Choice of 3 & 4 Power Configurations)
- Data Knockouts - Keystone Data Options Available (Purchased Separately)
- Used with 4 Wire 2 Circuit Starter and Interconnecting Cables (Starters Purchased Separately)
- Circuit 1 and 2 Options - Link Up-to 40 Receptacles Across 2 Circuits (US Only)
- Cable Clamps and Screws Included for Installation
- ETL Listed for US and Canada

KIT SPECIFICATIONS:

- Height Adjustable Table Sizes: 42", 48", 54", 60", 66", 72", 84", 96"
- Kit Includes:
 - » 2 Female/Male Interconnecting Cables
 - » 1 Loop Cable
 - » 2 "L" Brackets
 - » Cable Clamps and Screws

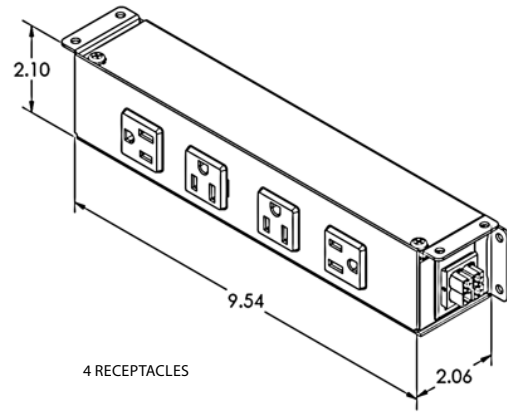
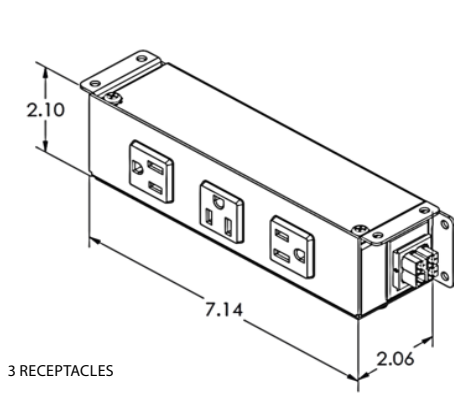
HEIGHT ADJUSTABLE TABLE KIT COMPONENTS

UNIT PURCHASED SEPARATELY; REFER TO HAT TABLE KIT CHART PAGE FOR DETAILS

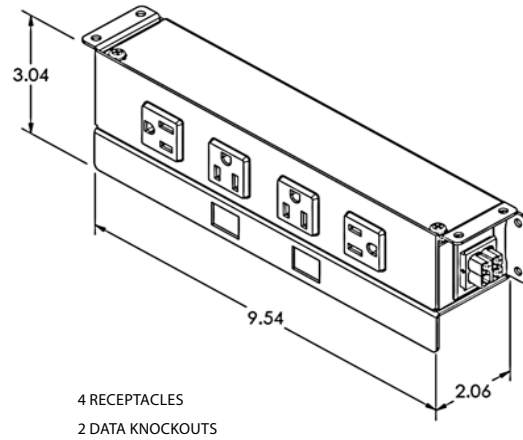
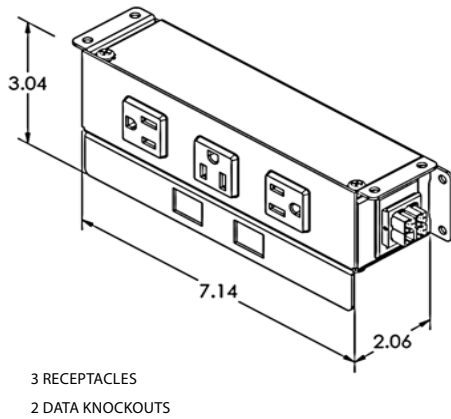


Series dimensions on following page...

VILLA UM SERIES | POWER ONLY

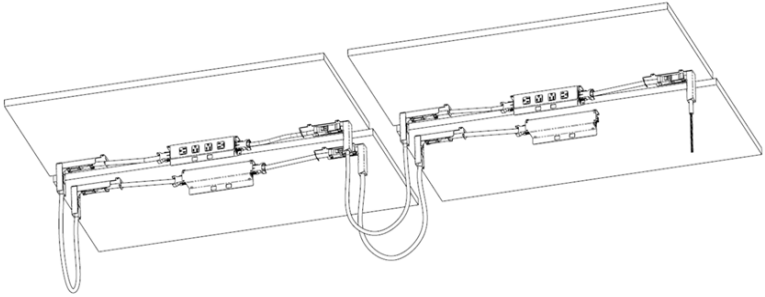


VILLA UM SERIES | POWER & DATA

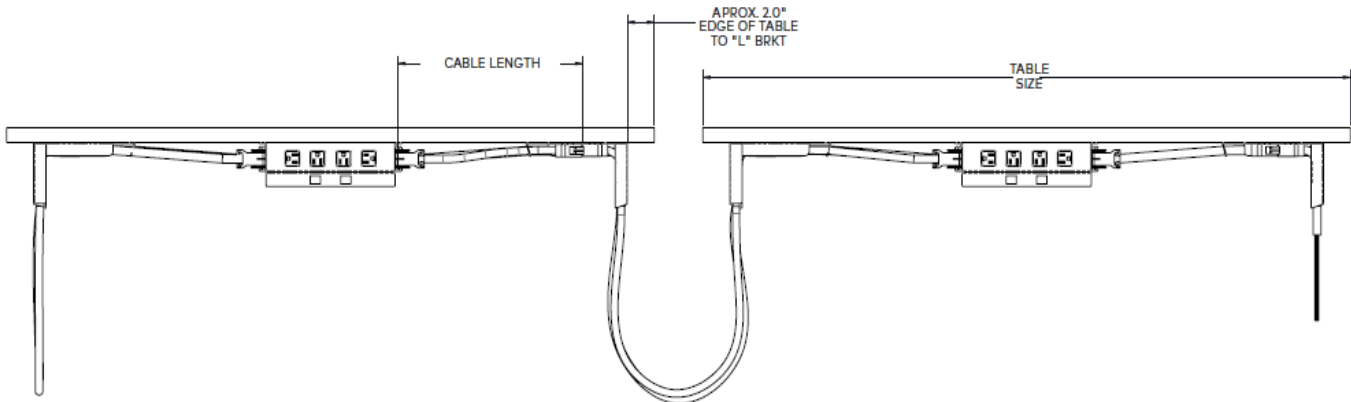


Ordering information on following page...

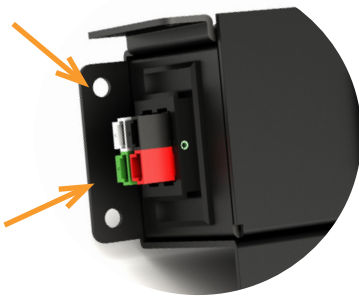
HEIGHT ADJUSTABLE TABLE KITS			
TABLE SIZE	FM CABLE LENGTH	FM CABLE LENGTH	LOOP CABLE
48"	FM-13"	FM-13"	48"
54"	FM-16"	FM-16"	48"
60"	FM-19"	FM-19"	48"
66"	FM-22"	FM-22"	48"
72"	FM-25"	FM-25"	48"
84"	FM-31"	FM-31"	48"
96"	FM-37"	FM-37"	48"



*Shown Above:
Four Villa UM units connected
across four height adjustable table
applications.*



NOTE:
All DaisyLink™ products come equipped
with male-end connectors
(Male ends extend outward)



Ordering information on following page...

HEIGHT ADJUSTABLE TABLE KITS

COMPLETE KIT WITH STEPS 1-3

STEP 1:

SELECT YOUR POWER:

POWER RECEPTACLES	DATA KNOCKOUT
-------------------	---------------

CHOOSE YOUR FINISH:

SILVER

BLACK

VILLA™ UM SERIES | POWER ONLY | CIRCUIT 1

3	-	VIL-UM-41-3-S	VIL-UM-41-3-B
4	-	VIL-UM-41-4-S	VIL-UM-41-4-B

VILLA™ UM SERIES | POWER & DATA | CIRCUIT 1

3	2	VIL-UM-41-3DKOS	VIL-UM-41-3DKOB
4	2	VIL-UM-41-4DKOS	VIL-UM-41-4DKOB

CHANGE -41 TO -42 TO SPECIFY CIRCUIT 2 CONFIGURATIONS
 DATA KNOCKOUT OPTIONS SOLD SEPARATELY
 CALL FOR PRICING

STEP 2:

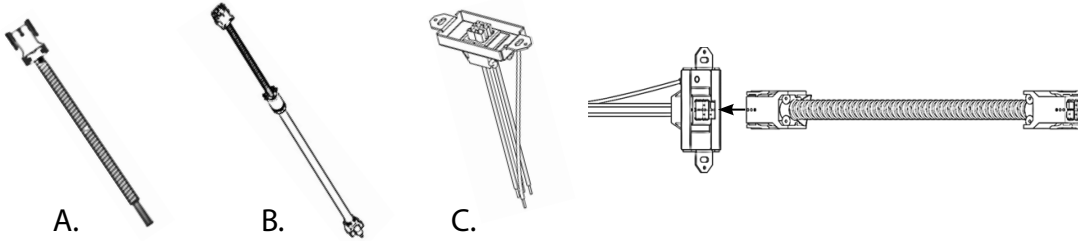
SELECT YOUR HAT CABLE KIT:

TABLE LENGTH	
48"	HAT42-CAB-48K
54"	HAT42-CAB-54K
60"	HAT42-CAB-60K
66"	HAT42-CAB-66K
72"	HAT42-CAB-72K
84"	HAT42-CAB-84K
92"	HAT42-CAB-92K

Step 3 (Starter Infeeds) and add-on accessories on following page...

STEP 3:

SELECT YOUR STARTER INFEED OPTION:

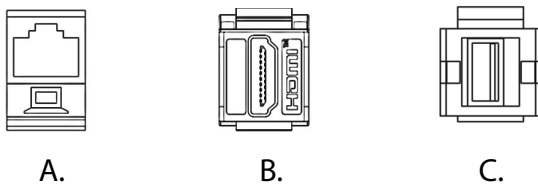


DESCRIPTION	LENGTH/FINISH	PART NUMBER
A. Hardwired multi-circuit starter infeed with female DaisyLink™ connector; hardwires into electrical junction box *Specify in increments of 1" Cable Lengths in Part Number	12" Min - 180" Max	42 SB2-XXX*
B. Molded 3-prong plug single-circuit starter power Infeed with female DaisyLink™ connector; plugs directly into wall or floor outlet	72"	42 20AP1-72
C. Quick Disconnect multi-circuit wall/floor insert with male DaisyLink™ connector; wires into junction box to accept female DaisyLink™ interconnecting cable (To be used with 42 FF-XXX interconnecting cable)	Black	42 QD Insert

TO LEARN HOW TO CONFIGURE AND ASSEMBLE A 4 WIRE 2 CIRCUIT SYSTEM, SEE DAISYLINK™ SYSTEM LITERATURE FOR DETAILS - OR CONTACT OUR KNOWLEDGEABLE CUSTOMER SERVICE TEAM FOR ADDITIONAL SUPPORT

DATA CONNECTORS (OPTIONAL)

SELECT YOUR DATA KNOCKOUT OPTIONS:



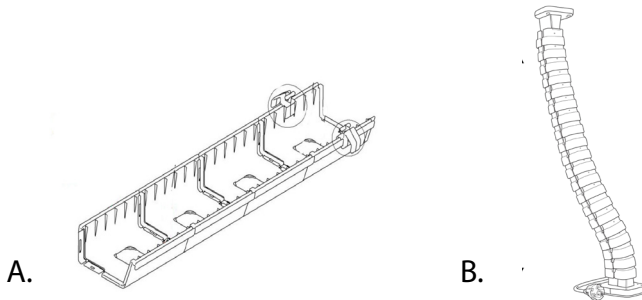
DESCRIPTION	FINISH	PART NUMBER
A. RJ45 cat 6 punch down data jack, <i>Siemon™ brand</i>	Black	RJ45-B
B. HDMI keystone jack, female/female	Black	HDMI-KEY-B
C. USB 2.0 Type-A keystone, female/female	Black White	USB-20AA-B-72K USB-20AA-W-72K

ADDITIONAL DATA OPTIONS AVAILABLE
PLEASE CONTACT OUR KNOWLEDGEABLE CUSTOMER SERVICE TEAM FOR MORE DETAILS

Wire management add-on accessories on following page...

WIRE MANAGEMENT ACCESSORIES

SELECT YOUR HAT WIRE MANAGER OPTIONS:



DESCRIPTION	FINISH	PART NUMBER
<p>A. Table Trough <i>Horizontal Wire Manager</i></p> <ul style="list-style-type: none"> Includes 5 Linkable Trough Sections (assembles to custom lengths in 8" Increments); 1 Fold Fastening Set; 2 End Caps (Screws Not Included) 	<p>Black Silver</p>	<p>TBL-TROUGH-B TBL-TROUGH-S</p>
<p>B. Snake <i>Vertical Wire Manager</i></p> <ul style="list-style-type: none"> Works in Unison with Table Trough - Installs Into Trough Openings; Adjacent to or as an Individual Accessory 	<p>Black Silver White</p>	<p>SNAKE-BL SNAKE-S SNAKE-W</p>

