



# INTERFACE G2 SERIES

*CORDED & HARDWIRED*



## THE POWER BEHIND THE BRAINSTORM

### BUILDING CONNECTIONS BEYOND DEVICES

Big ideas arise at the most unexpected times. Interface G2 Series generates the power so you can generate the ideas. Featuring four power outlets, three customizable telecom plate knockouts, and your choice of USB charging ports, Interface G2 is a necessary addition to any conference or meeting application. Available as an in-surface or under table (UT) mounting option, the results are always seamless.











**FEATURES:**



Mounting Capabilities  
 Bezel/In-Surface  
 Under Table (UT)

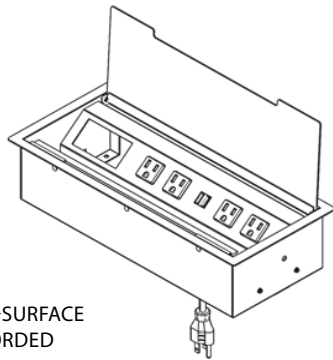
Applications  
 Conference/Meeting  
 Collaborative Spaces

Standard Finishes\*

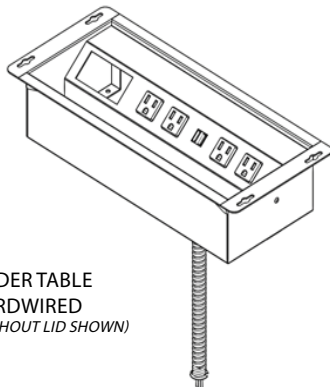
- Silver 
- Black 
- White 
- Brushed Aluminum 
- Brushed Stainless Steel 
- Bronze 
- Latte 
- Carbon 

Trim Kit Lid Finishes  
 (For UT Version Only)

- Frosted Glass 
- Brushed Aluminum 



IN-SURFACE  
 CORDED



UNDER TABLE  
 HARDWIRED  
 (WITHOUT LID SHOWN)

Mounting capabilities on following page...

**UNIT SPECIFICATIONS:**

- 15A/120V AC Receptacles
- 2.1A/5V Shared; Dual USB Charging Ports (*Available on Select Models*)
- Convenience Outlet
- Customizable Telecom Plate Knockouts (*Plates Purchased Separately*)
- Standard Cord and Hardwired Whip Lengths: 72"
- Fits Surface Thicknesses: 0.88" - 2.0"
- Fits Surface Cutout:
  - *In-Surface Model* - 13.64" x 6.0"
  - *UT Unit Model* - 13.75" - 6.38"
- ETL Listed for US and Canada

**INTERFACE G2 UT TRIM & LID PIVOT KIT SPECIFICATIONS:**

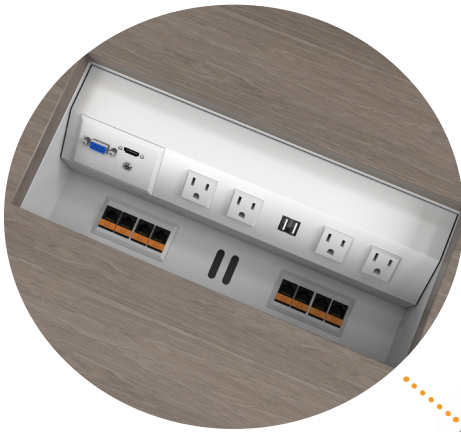
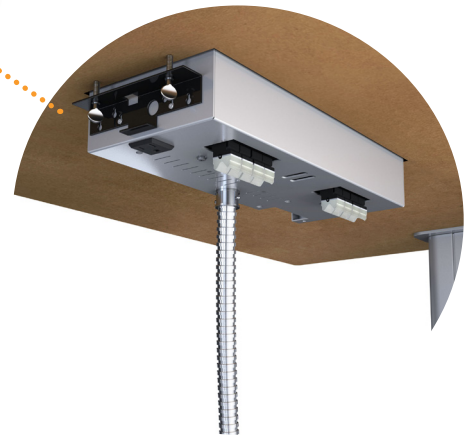
- For Use with Under Table (UT) Models Only
- Trim Pivot Kit Includes Brushed Aluminum Components for Lid Assembly
- Fits Standard Interact G2 UT Surface Cutout (*Listed in Specs Above*)
- Fits Surface Thicknesses: 0.75" - 2.0"
- Frosted Glass or Brushed Aluminum Lid - Must Be Used with Trim Pivot Kit (*Purchased Separately*)
  - Lid Thickness: 0.25"

*Note: When using Interface G2 UT, the interior of the cutout is exposed. We suggest finishing external edge.*

\*Interested in our specialty finishes? Contact us for details.

*In-Surface/Bezel (Featured to the right) -*

- Easily integrate Interface G2 tabletop unit directly into the surface cutout. This model comes standardly equipped with a hinged lid with brushed liner trim to prevent dust and debris from falling through the opening. The lid flips up for access and can remain open when in use, and provides a clean aesthetic when closed.

*Under Table (UT) (Featured to the left) -*

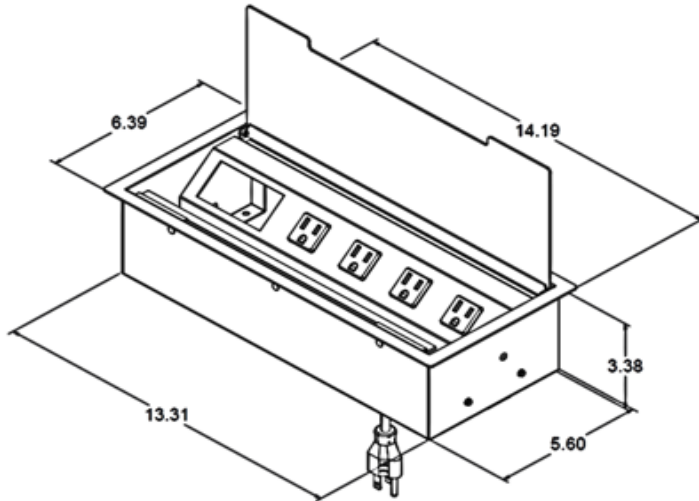
- As the name implies, Interface G2 UT secures to the underside of the application for a completely flush finish. When paired with the optional Trim & Lid Pivot Kits, the brushed aluminum or frosted glass lid flips open and closed, providing easy access to integrated technology with additional cable management capabilities.

Looking for a customized finish? Fabricate your own lid (paired with the Trim Kit) to match your application for a flawless and cohesive aesthetic. *Note: Custom lids are not provided*



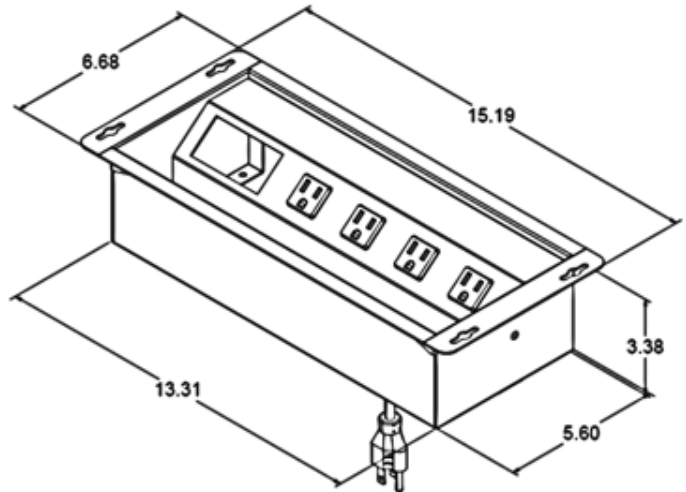
Series dimensions on following page...

INTERFACE G2 | POWER, DATA & CONVENIENCE OUTLET



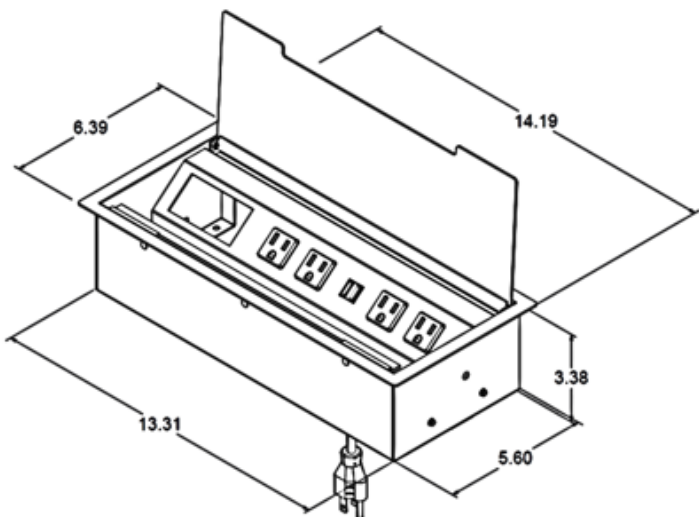
- 4 RECEPTACLES
- 1 CONVENIENCE OUTLET
- 3 TELECOM PLATE KNOCKOUTS

INTERFACE G2 UT | POWER, DATA & CONVENIENCE OUTLET



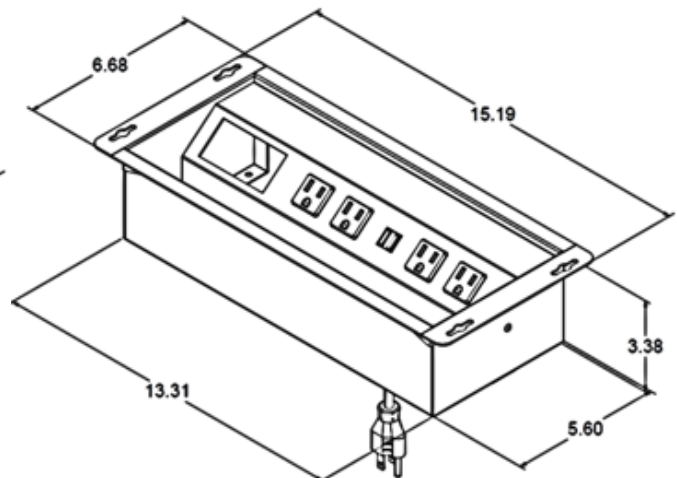
- 4 RECEPTACLES
- 1 CONVENIENCE OUTLET
- 3 TELECOM PLATE KNOCKOUTS

INTERFACE G2 | POWER, USB, DATA & CONVENIENCE OUTLET



- 4 RECEPTACLES
- DUAL USB PORT
- 1 CONVENIENCE OUTLET
- 3 TELECOM PLATE KNOCKOUTS

INTERFACE G2 UT | POWER, USB, DATA & CONVENIENCE OUTLET

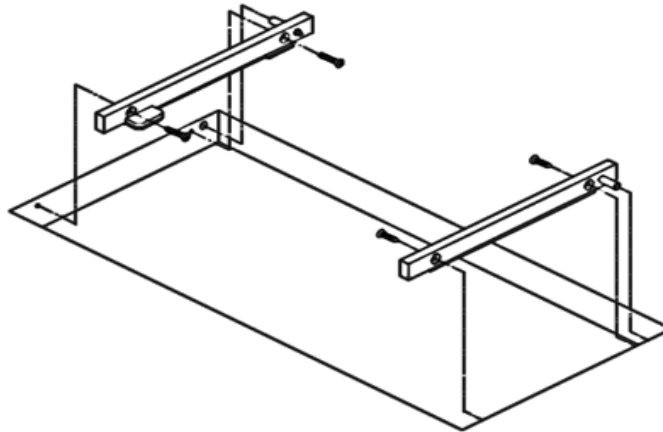
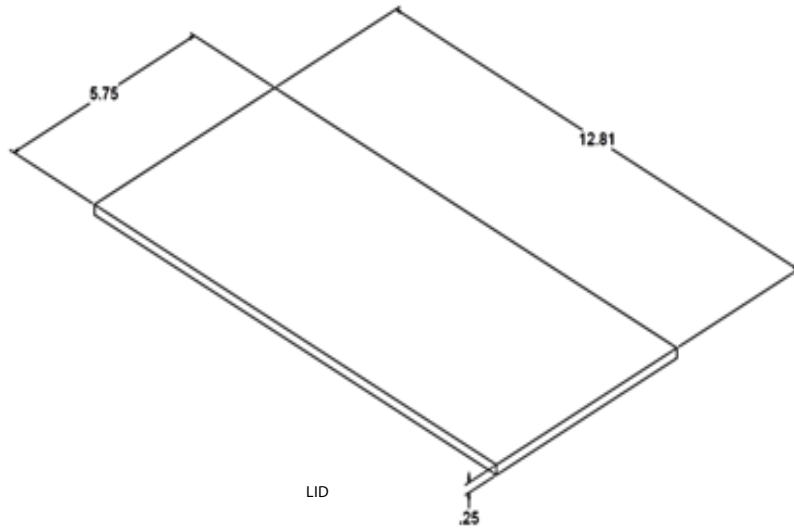


- 4 RECEPTACLES
- DUAL USB PORT
- 1 CONVENIENCE OUTLET
- 3 TELECOM PLATE KNOCKOUTS

Continued on following page...

INTERFACE G2 UT | LID & TRIM PIVOT KIT

\*Refer to Trim Pivot Kit Installation Sheet  
for Lid & Trim Pivot Kit Assembly Directions



Ordering information on following page...

## CORDED CONFIGURATIONS

	FINISH	PRODUCT NUMBER
4 POWER, 3 TELECOM PLATE KNOCKOUTS, 1 CONVENIENCE OUTLET, CORDED UNIT	SILVER	INT-41-S-72
	BLACK	INT-41-B-72
	WHITE	INT-41-GW-72
	BRONZE	INT-41-Z-72
	LATTE	INT-41-L-72
	CARBON	INT-41-C-72
	BRUSHED ALUMINIUM	INT-41-AL-72
	BRUSHED STAINLESS STEEL	INT-41-SS-72
4 POWER, 1 DUAL USB, 3 TELECOM PLATE KNOCKOUTS, 1 CONVENIENCE OUTLET, CORDED UNIT	SILVER	INT-41U-S-72
	BLACK	INT-41U-B-72
	WHITE	INT-41U-GW-72
	BRONZE	INT-41U-Z-72
	LATTE	INT-41U-L-72
	CARBON	INT-41U-C-72
	BRUSHED ALUMINIUM	INT-41U-AL-72
	BRUSHED STAINLESS STEEL	INT-41U-S-72
4 POWER, 3 TELECOM PLATE KNOCKOUTS, 1 CONVENIENCE OUTLET, CORDED UNDERMOUNT UNIT	SILVER	INT-UT-41-S-72
	BLACK	INT-UT-41-B-72
	WHITE	INT-UT-41-GW-72
	BRONZE	INT-UT-41-Z-72
	LATTE	INT-UT-41-L-72
	CARBON	INT-UT-41-C-72
4 POWER, 1 DUAL USB, 3 TELECOM PLATE KNOCKOUTS, 1 CONVENIENCE OUTLET, CORDED UNDERMOUNT UNIT	SILVER	INT-UT-41U-S-72
	BLACK	INT-UT-41U-B-72
	WHITE	INT-UT-41U-GW-72
	BRONZE	INT-UT-41U-Z-72
	LATTE	INT-UT-41U-L-72
	CARBON	INT-UT-41U-C-72



HARDWIRED CONFIGURATIONS

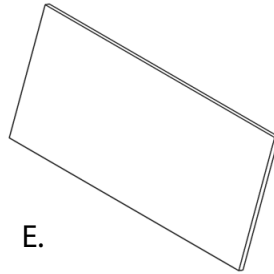
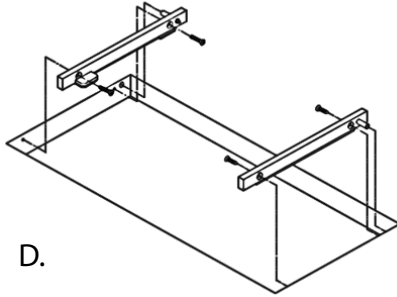
	FINISH	PRODUCT NUMBER
4 POWER, 3 TELECOM PLATE KNOCKOUTS, 1 CONVENIENCE OUTLET, HARDWIRED UNIT	SILVER	INT-41-S-HW-72
	BLACK	INT-41-B-HW-72
	WHITE	INT-41-GW-HW-72
	BRONZE	INT-41-Z-HW-72
	LATTE	INT-41-L-HW-72
	CARBON	INT-41-C-HW-72
	BRUSHED ALUMINIUM	INT-41-AL-HW-72
	BRUSHED STAINLESS STEEL	INT-41-SS-HW-72
4 POWER, 1 DUAL USB, 3 TELECOM PLATE KNOCKOUTS, 1 CONVENIENCE OUTLET, HARDWIRED UNIT	SILVER	INT-41U-S-HW-72
	BLACK	INT-41U-B-HW-72
	WHITE	INT-41U-GW-HW-72
	BRONZE	INT-41U-Z-HW-72
	LATTE	INT-41U-L-HW-72
	CARBON	INT-41U-C-HW-72
	BRUSHED ALUMINIUM	INT-41U-AL-HW-72
	BRUSHED STAINLESS STEEL	INT-41U-S-HW-72
4 POWER, 3 TELECOM PLATE KNOCKOUTS, 1 CONVENIENCE OUTLET, HARDWIRED UNDERMOUNT UNIT	SILVER	INT-UT-41-SHW72
	BLACK	INT-UT-41-BHW72
	WHITE	INT-UT-41GWHW72
	BRONZE	INT-UT-41-ZHW72
	LATTE	INT-UT-41-LHW72
	CARBON	INT-UT-41-CHW72
4 POWER, 1 DUAL USB, 3 TELECOM PLATE KNOCKOUTS, 1 CONVENIENCE OUTLET, CORDED UNDERMOUNT UNIT	SILVER	INT-UT-41U-SHW72
	BLACK	INT-UT-41U-BHW72
	WHITE	INT-UT41UGWHW72
	BRONZE	INT-UT-41U-ZHW72
	LATTE	INT-UT-41U-LHW72
	CARBON	INT-UT-41U-CHW72

OTHER CORD & WHIP LENGTHS AVAILABLE AT COST: 36", 108", 144" AND 180"  
 REPLACE 72 IN THE LISTED PART NUMBER WITH APPROPRIATE LENGTH: 36, 108, 144 OR 180  
 TELECOM PLATES SOLD SEPARATELY  
 LID AND TRIM KIT FOR UT VERSIONS SOLD SEPARATELY  
 CALL FOR PRICING

Trim Pivot Kit on following page...

TRIM & LID PIVOT KIT OPTIONS

INTERFACE G2 UT LID & TRIM PIVOT KIT (OPTIONAL):



DESCRIPTION	FINISH	PART NUMBER
D. Trim Pivot Kit - components for lid assembly for Interface G2 UT Versions Only <i>(can be used alone, with custom lid, or provided lid options)</i>	Brushed Aluminum	INTRFC IUT LPA*
E. Lid Kit - lid to be used with Trim Pivot Kit	Frosted Glass Brushed Aluminum	INTRFC IUT LG2* INTRFC IUT LA*

\*BOTH TRIM & LID (CHOOSE ONE) PART NUMBERS ARE REQUIRED FOR COMPLETE INTERFACE G2 UT LID ASSEMBLY