

# DEKKO POWER

## 4|2™ SYSTEM

### The Next Generation of Office Power

Introducing 4|2™ - A highly versatile and efficient next generation electrical infrastructure designed to meet the demands of modern office environments. Its innovative design offers distinct benefits for manufacturers, office planners, and end-users by delivering an ideal balance of functionality, cost-effectiveness, and adaptability.



### APPLICATIONS

- Partitions
- Benching
- Workstations
- Beams
- Collaborative Spaces



### TECHNICAL SPECIFICATIONS

#### SYSTEM POWER:

- 4 Wires, 2 Circuits
- 20 Amp System Rating - 3 ph (120/208V), 1 ph (120/240V)
- 2-1-1 Wiring Order - Shared Neutral
- 12 Gauge Wires
- UL 1286 recognized and 183 Listed for US and Canada

#### RECEPTACLES:

- 15 Amp
- Tamper Resistant ("TR")
- 1.0" Thick / Tall
- Single Sided or Double-Sided W/ Staggered Connection
- Spring or Screw mount options

### MOUNTING OPTIONS

- Screw Mount
- Spring Mount
- \*Custom

*\*Contact Customer Service regarding custom mounting capabilities*

### POWER INFEEED OPTIONS

- \*Hardwired - 3/8" extra flex conduit (24' max)

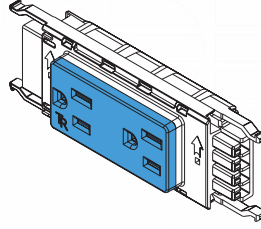
## FINISHING OPTIONS

### RECEPTACLE COLORS

- Grey
- Black
- White

### FINISH AREA

- Receptacle



## SYSTEM DETAILS

### DIMENSIONS

COMPONENT	WIDTH (Y)	DEPTH (Z)	LENGTH (X)
SPRING MOUNT RECEPTACLE	1.70"	1.0"	4.5"
SCREW MOUNT RECEPTACLE	1.70"	1.0"	4.5"
	2.0" On Center to Screw Holes		
INFEED	1.70"	0.7"	VARIABLE
JUMPER (CONDUIT)	1.70"	0.7"	VARIABLE
BRACKET	1.76"	0.7"	4.52"
SPLITTER	1.80"	1.61"	2.50"
JBOX INFEED	1.70"	0.7"	VARIABLE
LIQUID TIGHT INFEED	1.70"	0.7"	VARIABLE
DAISYLINK SYSTEM JUMPER	1.70"	0.9"	VARIABLE
MESH JUMPER	1.70"	0.5"	24" MAX EXPOSED
8-10 SYSTEM JUMPER	1.90"	0.9"	VARIABLE
8W-PAWS SYSTEM JUMPER	2.0"	0.7"	VARIABLE

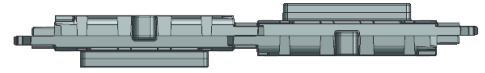
### CONFIGURATION

#### 4 WIRES | 2 CIRCUITS

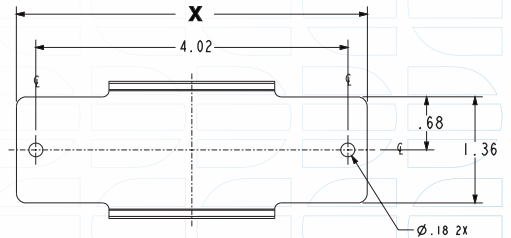
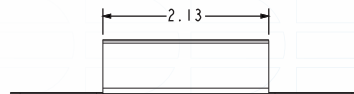
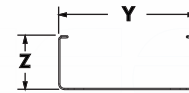
#### SHARED NEUTRAL 2-1-1

LINE (12GA)	2
NEUTRAL (12GA)	1
GROUND (12GA)	1
UTILITY CIRCUITS	2
DECICATED CIRCUITS	0
MAX RECEPTACLES PER 20A CIRCUIT	13
MAX RECEPTACLES PER 20A INFEED	26

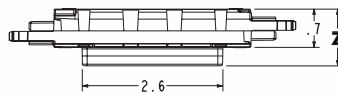
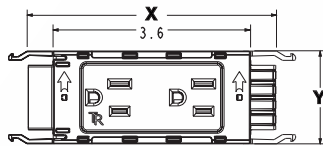
Receptacles: Back-to-Back Duplex Receptacles via offset connection - No Splitter or I-Connector Required (see example below)



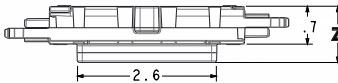
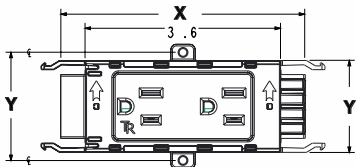
### BRACKET



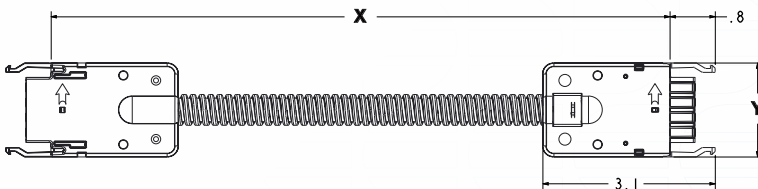
SPRING MOUNT RECEPTACLES



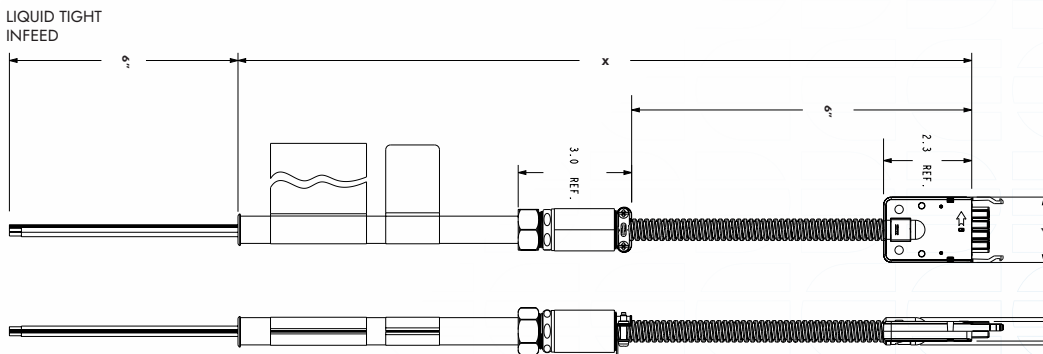
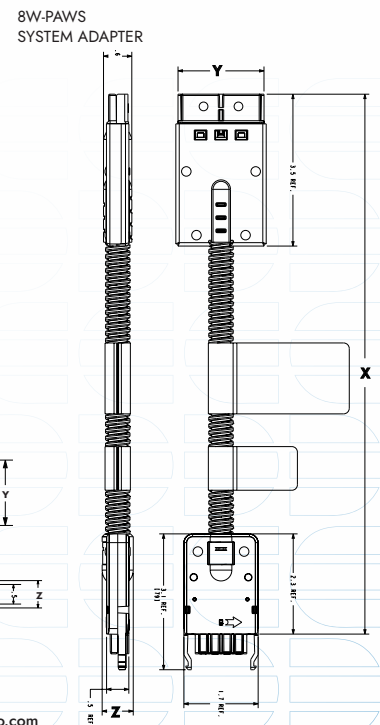
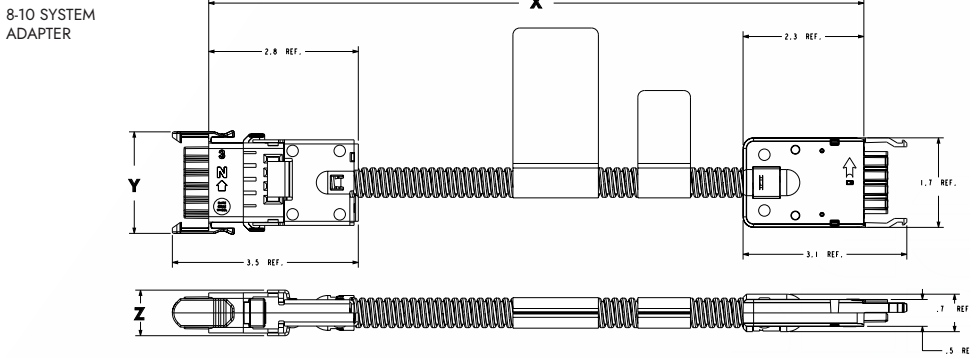
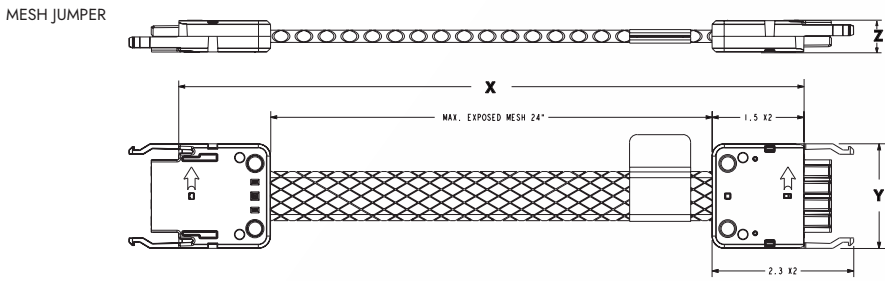
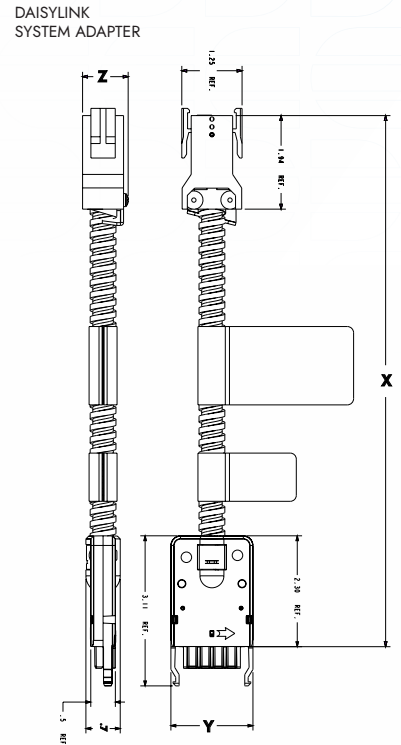
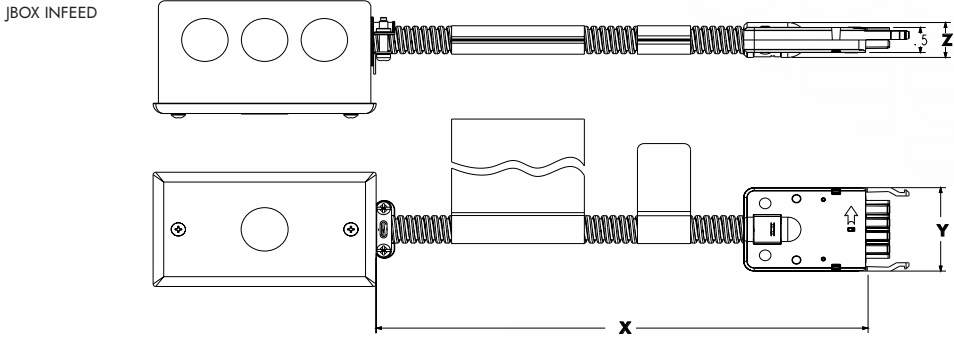
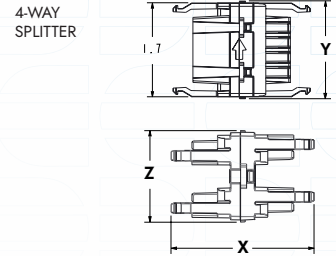
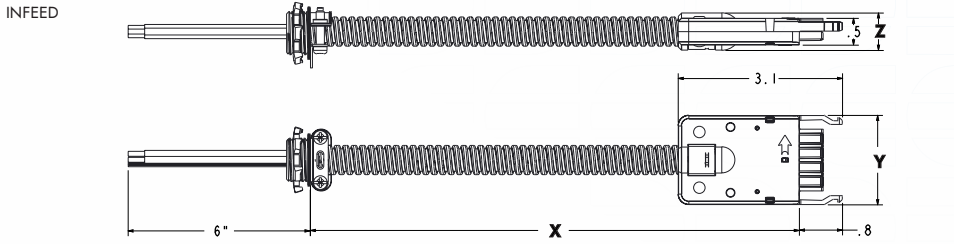
SCREW MOUNT RECEPTACLES



JUMPER



SYSTEM DETAILS (CONT.)



PRODUCT SPECIFICATION

Specify your product:	Step 1. Select base	Step 2. Select cord/whip length or circuit <sup>1</sup>	Step 3. Select color <sup>1</sup>
<b>PRODUCT TYPE</b>	<b>BASE PART NUMBER</b>	<b>CIRCUITS - RECEPTACLES ONLY</b>	<b>RECEPTACLES</b>
<b>INFEED</b>	<b>UL 183    UL 1286 <sup>2</sup></b>	.1000    Circuit 1	.04    Black Receptacles
3/8" CONDUIT, EXTRA FLEX	595000.01    590000.1	.2000    Circuit 2	.35    White Receptacles
J BOX TO 3/8" CONDUIT, EXTRA FLEX	590010.1		.55    Gray Receptacles
LIQUID TIGHT TO 3/8" CONDUIT, EXTRA FLEX	595027.01    590027.1		
<b>RECEPTACLES</b>		<b>INFEED LENGTH <sup>2</sup></b>	
SPRING MOUNT	595002    590002	Specify length below.	
SCREW MOUNT	595003    590003	.005    6 inch	
		.01    12 inch	
		.02    24 inch	
		.03    36 inch	
		.04    48 inch	
		.05    60 inch	
		.06    72 inch	
		.09    108 inch	
		.10    120 inch	
		.12    144 inch	
		.18    216 inch	
		.24    288 inch	
<b>JUMPER</b>		<b>JUMPER/ADAPTER LENGTH</b>	
3/8" CONDUIT, EXTRA FLEX	595001.01    590001.1	.005    6 inch	
MESH JUMPER	590007.1	.01    12 inch	
		.02    24 inch	
		.03    36 inch	
		.04    48 inch	
		.05    60 inch	
		.06    72 inch	
		.09    108 inch	
		.10    120 inch	
		.12    144 inch	
		.18    216 inch	
		.24    288 inch	
<b>SYSTEM ADAPTERS</b>			
<b>8W PAWS</b>			
8W PAWS, 3/8" CONDUIT, EXTRA FLEX	590017.1		
8W PAWS, MESH	590021.1		
<b>8-10</b>			
8-10, 3/8" CONDUIT, EXTRA FLEX	590016.1		
8-10, MESH, SHARED NEUTRAL	590020.1		
<b>DAILYLINK</b>			
DAISYLINK, 3/8" CONDUIT, EXTRA FLEX	590022.1		
<b>ACCESSORIES</b>			
4-WAY SPLITTER	595005.1.1    590005.1.1		
DUST CAP	185372.01		
SPRING MOUNT BRACKET KIT <sup>1</sup>	185253-1		

<sup>1</sup> Bracket Kit includes mounting hardware.

<sup>2</sup> UL1286 recognized components are to be listed with the intended furniture application.

<sup>1</sup> Cord/Whip Length not applicable for Bracket, Splitter or UL 1286 models. UL 1286 models specified in 1" increments. Contact Customer Service/Sales for order specification.

<sup>1</sup> Color Options not applicable for Infeed, Jumpers, Bracket, and Splitter

<sup>2</sup> 6 inch whip length standard. Liquid Tight Infeed minimum length is 36"

Step 4. Combine for product

BASE + CORD/CIRCUIT + COLOR = #####.##.##.##

EXAMPLE: 595003 + .2000 + .35 = 595003.2000.35